



9.0M pixels progressive
USB3.0 COLOR CMOS CAMERA

ARTCAM-900MI-USB3

INSTRUCTION MANUAL

Contents

1. Description	3
2. Main Features	3
3. List of items	4
4. Position of each part	4
5. Functions and Operation	5
6. Dimension	5
7. Specifications	6

1. Description

ARTCAM-900MI-USB3 is a 1/2.3" CMOS color camera developed for industrial use. Image can be saved directly to your PC with high-speed transfer via USB3.0 interface.

2. Main Features

- * High sensitivity and high resolution
Max.resolution of 3488 x 2616 pixels. Image size can be altered.
- * Flange-back adjustment
With Artray's original mechanism, flange-back is adjustable while real-time image is displayed.
- * Electric shutter
Shutter speed can be adjusted on software screen.
- * Frame rate
9.7 fps (Full 3488*2616)

*About Gain Control

This camera has the function to set detail of gain control.

Initial Gain: Basic value of analog gain.

Analog Gain: Magnification against initial gain

Digital Gain: Magnification of digital gain

Color Gain: There are 4 kinds of colors

– R, G1, G2, B. Each color has above 3 kinds of gain controls.

Global Gain: control all above color gain same time.

Each calculation method is as below:

Initial Gain = Initial Gain setting value / 32	Setting Range 0~127
Analog Gain = AnalogGain setting value * InitialGain	1, 2, 3, 4, or 6
Digital Gain = Analog Gain * Digital Gain Setting Value	1~7

* Sub-sampling function • Binning

"Sub-sampling function" (which maintains the same image size while roughing image quality) is available. This will increase the frame rate.

While binning mode is set, resolution setting has lower limit.

While 1/2 binning is set:

Output resolution 640 * 480 (Effective pixels at SDK setting is 1280 * 960)

While 1/4 binning is set:

Output resolution 400 * 300 (Effective pixels at SDK setting is 1600 * 1200)

If you set up smaller range than above range, image would be not output normally.

At normal viewer mode: lower limit is 120x4

3. List of Items

- 1) Camera 1 (equipped with tripod breaket, but not lens)
- 2) User Instruction 1
- 3) Software CD 1

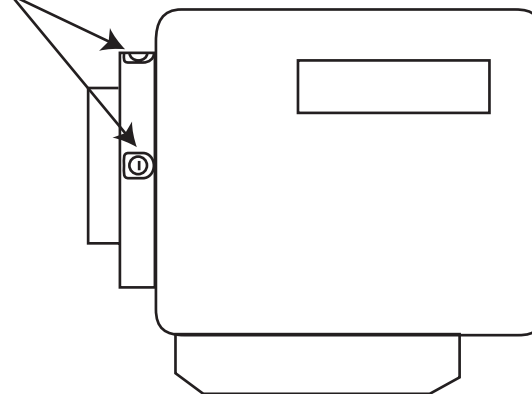
《Option》

- 1) Filing & 2D measuring system
- 2) SDK(ARTCCM-SDK)

4. Position of Each Part

4-1 Side panel

Flange-back adjustment screw

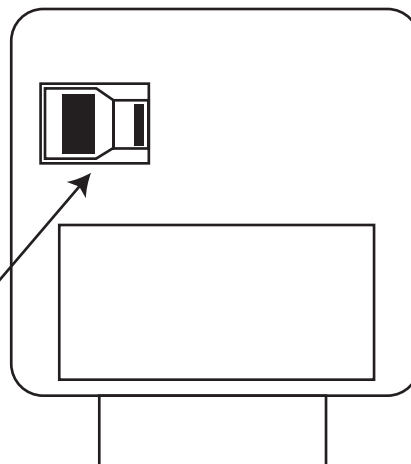


Caution

Do NOT remove the cover. This may break camera or cause static electricity.

4-2 Back panel

USB
:USB3.0 interface



5. Functions and operation

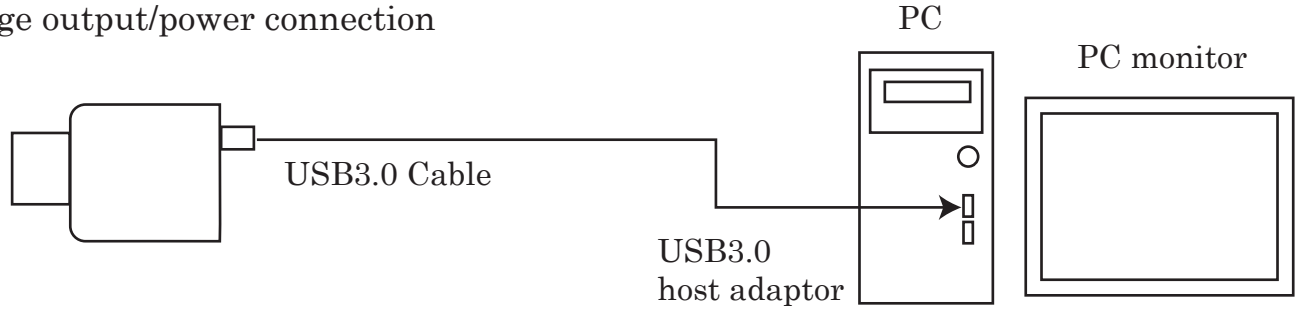
5-1 Selection of lens

The mount of lens is C-mount.

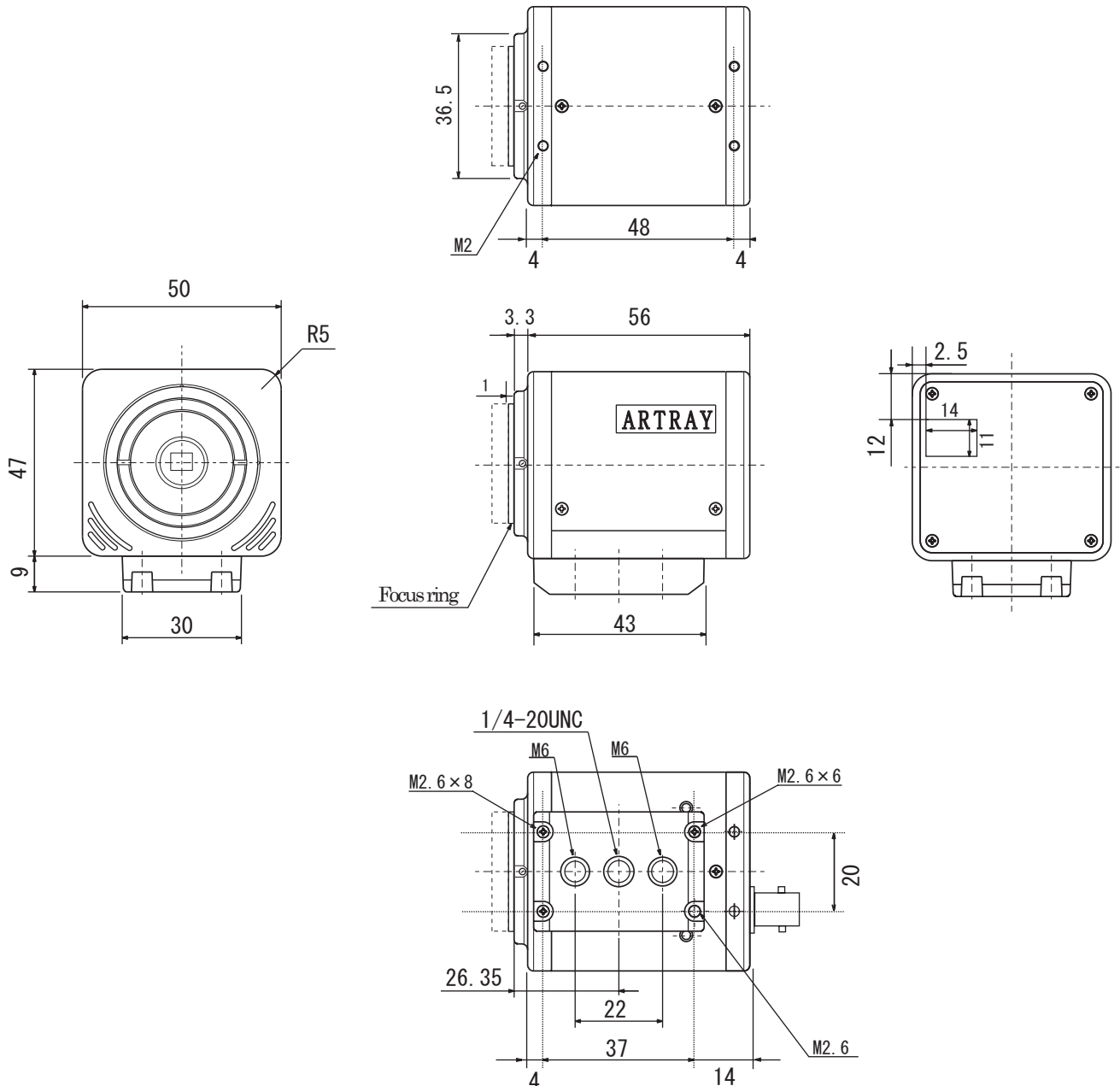
C-mount fixing screw is installed in the camera.

5-2 Camera connection

Image output/power connection



6. Dimension



7. Specification

7-1 Specifications of camera

ARTCAM-900MI-USB3		
1.	Image Sensor	1/2.3"CMOS
2.	Color method	Single-panel CMOS color method
3.	Max. resolution	9.0M pixel
4.	Lens size	1/2.3"format
5.	Scan mode	Progressive
6.	Pixel size	1.75 μ m x 1.75 μ m(6.104 \times 4.578mm pixel areas)
7.	S/N ratio	35dB
8.	Sensitivity	0.44V/Lux \cdot sec(550nm)
9.	Electric shutter mode	Manual
10.	White balance	Manual/auto, switchable by the software
11.	Synchro system	Only Internal syschro
12.	Flange back	Manual adjustment (C Mount is adjusted already)
13.	Lens mount	C mount (Lens is NOT attached)
14.	Offset	
15.	Gain	Manual adjustment, adjustable by the software
16.	Power supply	DC+5V (Provided by USB bus power)
17.	Power consuming	2.0W approx
18.	Ambient temperature and humidifying	0-35 $^{\circ}$ C(recommended), 80%(non-condensing)
19.	Dimension and weight	50(W) \times 56(H) \times 59.3(D)mm

7-2 Electric characteristics

	Parameter	SPEC	Comment	Remark
1.	Power	+5V 0.4A		supplied by USB port
2.	Shutter control	Manual adjustment		software control
3.	Gain control	Manual adjustment		software control
4.	S/N ratio	35dB		
5.	γ characteristics	1.0 fixed		
6.	Power consumption	<2.0W		
7.	Image interface	USB3, digital output		

7-3 Image Sensor

	Parameter	SPEC	Comment	Remark
1.	Imager	MT9P001		
2.	Optical size	Equivalent to 1/2.3"		
3.	Total resolution			
4.	Max resolution	3488 x 2616		
5.	Pixel size	1.75 x 1.75μm		
6.	Sensitivity	0.44V/Lux-sec(550nm)		
7.	IR cutting filter	Color: Have		

7-4 Physical specifications

	Parameter	SPEC	Comment	Remark
1.	Lens	In accordance with C mount		
2.	Max weight			
3.	Dimension	50 x 56 x 59.3mm		
4.	Material of enclosure	Aluminium		

7-5 Operating environment

	Parameter	SPEC	Comment	Remark
1.	Operating temperature	-10-50℃ (10-95%RH、non-condensing)		
2.	Storage temperature	-35-80℃ (10-95%RH、non-condensing)		
3.	MTBF	70K hours(at 60℃)		
4.	EMI	EN61000-6-4		
5.	EMS	EN61000-6-2		
6.	Vibration proof	Acceleration: 5.0G Frequency: 11~200Hz Sweep cycle: 300sec Test time: Ups and down 10min Left and right 10min Back and fourth 10min Test OK		
7.	Shock proof	Endure shock of maximum 50G from direction XYZ. Unpacked condition		

7-6 Technical standard

	Parameter	SPEC	Comment	Remark
1.	UL approved	Materials used in wiring are compliant with UL. Storage temperature (10-95%RH, non-condensing)		
2.	CE	Soon to conform		

<<System requirements>>

*CPU: Pentium4 above 2.4GHz

USB3.0 Interface Equipped.

*Free memory: above 1GHz

*OS Windows XP / Vista / 7

SACASA INDUSTRIES ET SYSTEMES

2 rue Henri Janin – 78470 ST REMY LES CHEVREUSE

Tel : 01 30 47 45 86 – Fax : 01 30 47 93 37

info@sais.fr – www.sais.fr