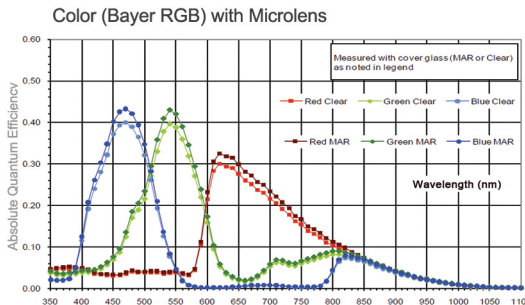
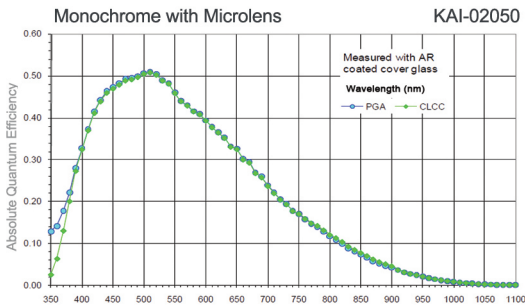


B1621



Technically superior products, full tech support, rapid-response customer care. "Bobcat 2.0" adds many new features, lens control, more memory and enhanced image quality.



INTERFACES AVAILABLE:

Resolution

Sensor

Sensor Format

Pixel Size

Frame Rate Standard Clock

Frame Rate Overclocked

Maximum Frame Rate

Minimum S/N Ratio

Output Format

Analog Gain Control

Black Level Control

Digital Gain and Offset

RGB Gain and Offset

White Balance

Shutter Speed

Exposure Control

Long Integration

Regions of Interest (ROI)

Binning H/V

Trigger Inputs

Trigger Options

Trigger Modes

Double Trigger (PIV) Interframe

External Inputs/Outputs

Strobe Output

RS232 Interface

Pulse Generator

Image Overlay

Image Enhancement

Internal DDR Memory

On Board FIFO (GEV & PoE)

Gamma Correction

Data Corrections

Minimum Illumination

Lens Mount

Video Iris Control

Iris, Zoom Focus Control

Supply Input Range

Power Consumption

Size – Width/Height

Size – Length

Weight

Vibration, Shock

Environmental

Humidity

MTBF

Regulatory

Camera Link® Base (PoCL), GigE Vision, PoE, CoaXPress
1600 x 1200 (std.), 1632 x 1232 (max.)

KAI-02050, CCD

8.98mm (H) x 6.78mm (V) 11.00mm diagonal

2/3" optical format

5.5 µm

40 MHz / 33 fps

50 MHz / 42 fps

247 fps

60dB

Mono CCD: 8, 10, 12, 14-bit (Single only)

Color CCD: 8, 10, 12, RGB 24

Manual, Auto: 0 - 36dB 1024 steps

Manual, 1024 steps

Manual

Manual

Manual, auto, off

1µs/step, 1/500,000 to 1/34 sec (nom)

Manual, auto, external

Up to 16 seconds

7 ROIs, any line to any line, any pixel to any pixel

1x, 2x, 3x, 4x, 8x (Independent for H & V)

External (TTL via IN1/IN2), pulse generator,

software, computer

Level, edge, pulse width, internal exposure,

up to 16 seconds trigger delay, debounce

Free-run, standard, double, fast, asynchronous,

frame accumulation

Time: 200 nanoseconds

2 IN, 2 OUT, user programmable

2 strobes, programmable position and duration

Yes, programmable

Yes, programmable

Optical center, programmable H & V lines

Threshold, contrast enhancement, knee correction,

horizontal flip, negative image, bit shift (+/- 7 places)

2Gb (256 MB)

1Gb (128 MB)

G=1.0, G=0.45, user upgradeable LUT

Defective/hot pixel correction (static, dynamic),

black level, vertical smear

1 Lux, F/ 1.4

C-Mount

Auto, programmable

Manual, user programmable

12VDC (10V - 15V), 1.5 A inrush

CLB 3.3 W, GEV 4.8W, PoE 6.0W, CXP TBD

46mm (W) x 46mm (H) – Applies to all interfaces

CLB 58.3mm (L), GEV 76.2mm (L), PoE 89.8mm (L),

CXP 65.8mm (L)

CLB 171g, GEV 232g, PoE 342g, CXP 223g

100g (20-200) HZ XYZ, 1000g

-40°C to +85°C Operating, -50°C to +90°C Storage

10% to 90% non-condensing

>660,000 hours @ 40°C (Telcordia SR-332)

FCC 15 part A, CE, RoHS

AUTOMATION | INSPECTION

MILITARY | AEROSPACE

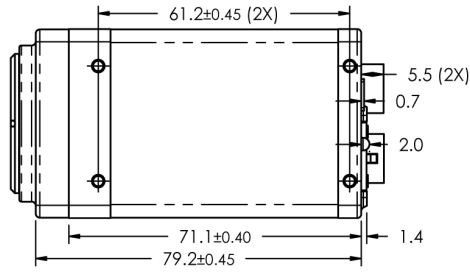
MEDICAL | SCIENTIFIC

HD-SDI

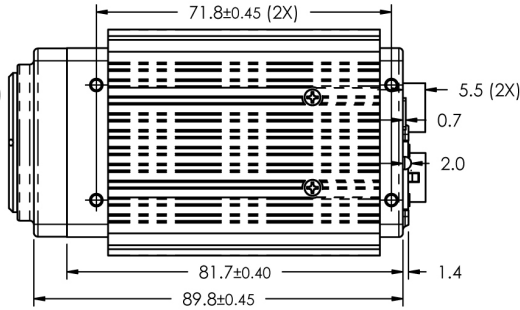
TRAFFIC | TRANSPORTATION

AERIAL IMAGING

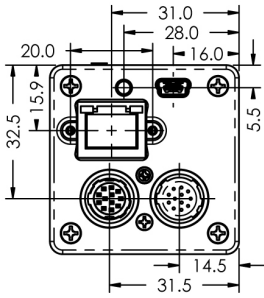
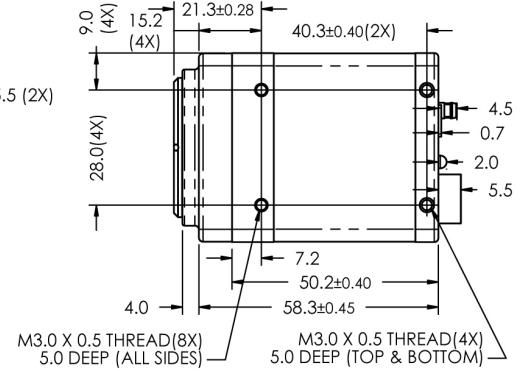
GigE Vision(Without PoE)



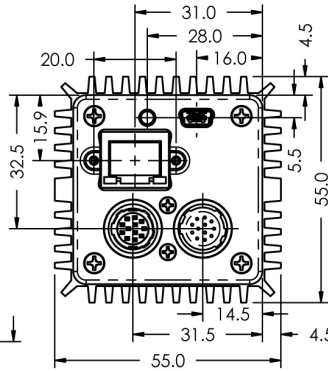
GigE Vision(With PoE)



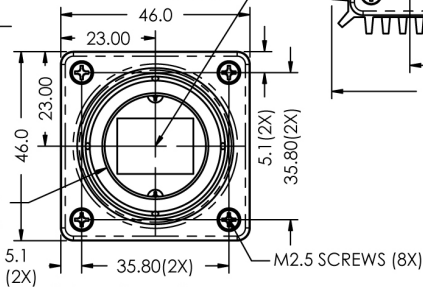
Camera Link



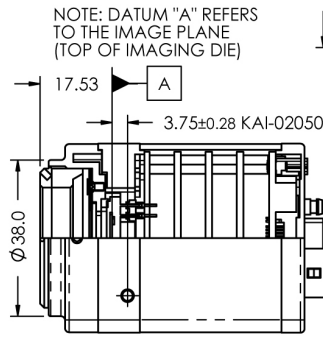
CENTER OF IMAGE IS NOMINALLY AT CENTER OF LENS



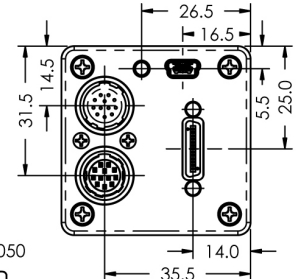
C-MOUNT
1" - 32 THREAD



COMMON FRONT VIEW



COMMON IMAGE PLANE DISTANCE



Hirose Connectors

Power and I/O Interface



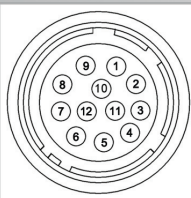
- | | |
|-------------------|-----------------|
| 1 12V DC Return * | 7 OUT1 Signal |
| 2 +12V DC* | 8 IN1 Signal |
| 3 IRIS VCC | 9 IN2 Signal |
| 4 IRIS Video | 10 IN1/2 Return |
| 5 IRIS Return | 11 Reserved |
| 6 OUT1/2 Return | 12 OUT2 Signal |

Connector: Hirose HR 10A- 10R- 12PB(71)

*Not connected for CXP

Lens Control/RS232

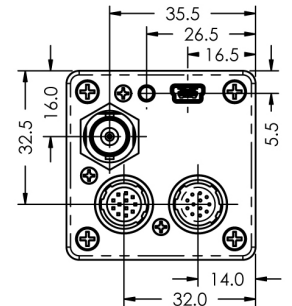
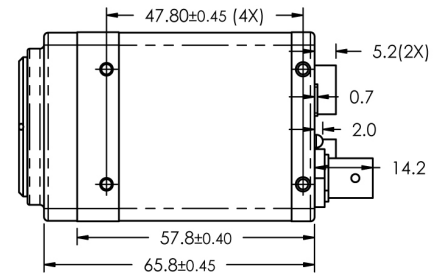
See manual for PIN information



- | | |
|---------------|-------------|
| 1 IRIS Return | 7 FOCUS + |
| 2 IRIS VCC | 8 ZOOM - |
| 3 IRIS Video | 9 ZOOM + |
| 4 IRIS - | 10 UART_COM |
| 5 IRIS + | 11 UART_RX |
| 6 FOCUS - | 12 UART_TX |

Connector: Hirose HR 10A- 10R- 12SB(71)

CoaXPress



B1621 Ordering Information

Interfaces available

- Camera Link® Base (CLB)
- GigE Vision (GEV / PoE)
- CoaXPress (CXP)

Sensor types available

- Monochrome
- Bayer Color

Accessories (Sold separately)

- PS12v04-Power Supply w/ 1 input and 1 output
- PS12v05-Power Supply (as above) and Video Iris



Société SAIS

102 route de Limours - DOMAINE DE ST PAUL - BAT 14 bureau 12

78470 ST REMY LES CHEVREUSE

Tel : 09 54 16 23 53 - Fax : 09 59 16 23 53

contact@sacasa.info - www.sacasa.info