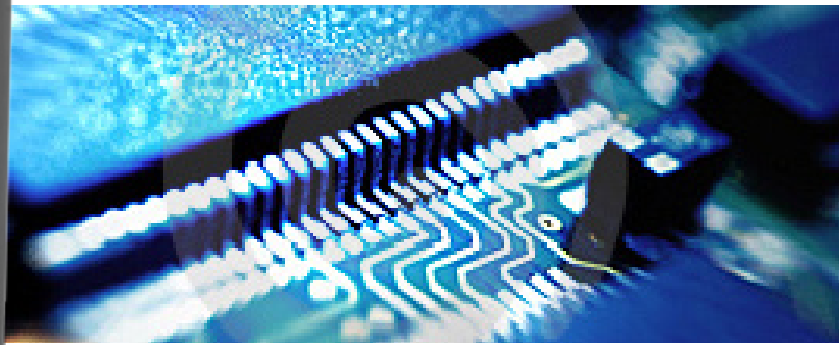


VC-3MC

3 MEGA PIXEL RESOLUTION
HIGH-SPEED CMOS DIGITAL CAMERA



The VC-3MC is a high-speed CMOS digital camera with up to 280 frame per second speed at 3 megapixel resolution. Equipped with high speed image processing it provides flexible selection in resolution and speed meeting the requirements of various industrial and scientific applications. Its global electronic shutter mechanism with exposure time down to 1us enables users to capture objects in fast movement at high definition in free run and trigger mode.

Main Features

- *3 Megapixel Resolution (1696 × 1710 pixels) @ max 280 fps
- *CYPRESS High-Speed Progressive Scan CMOS Image Sensor
- *Full Camera Link Interface with 8 bit Data Output
- *Fixed Pattern Noise Correction
- *Field Upgradeable Firmware
- *Defective Pixel Compensation
- *Great Light Sensitivity : 1,200 ASA monochrome, 1,000 ASA RGB
- *Available in Color or Monochrome
- *C-mount or F-mount adapter
- *Compact Design

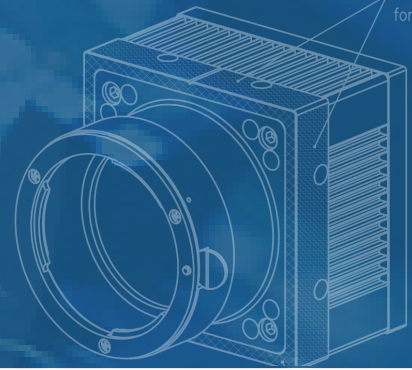
Applications

- *Machine Vision Inspections
- *Research and Scientific Imaging
- *Intelligent Transport System
- *Microscopy and Metrology



VC-3MC

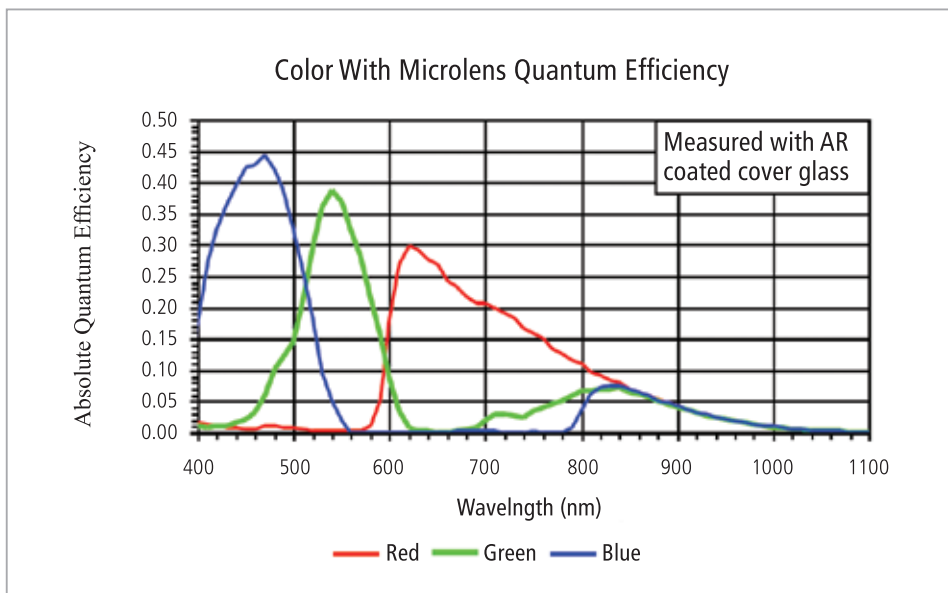
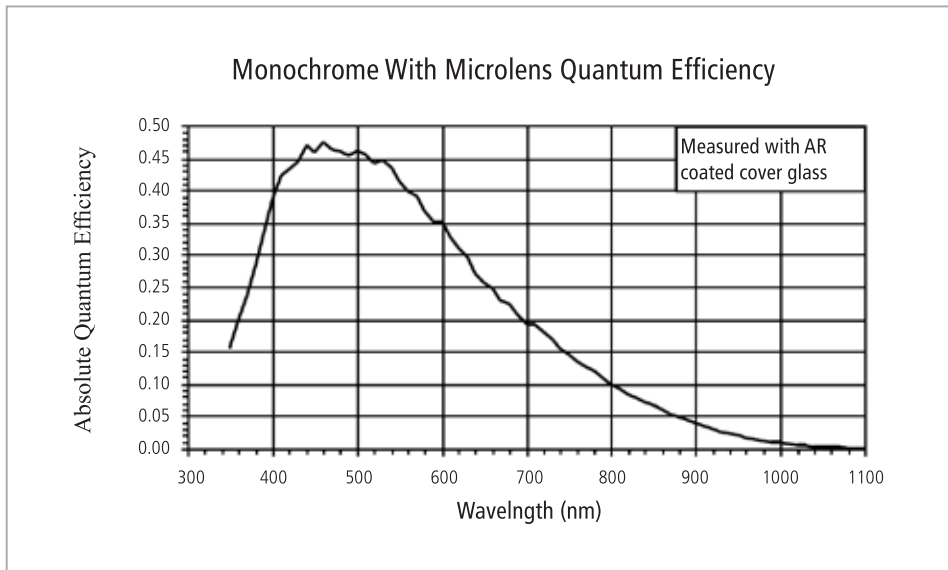
3 MEGA PIXEL RESOLUTION
HIGH-SPEED CMOS DIGITAL CAMERA



Specifications

Model	VC-3MC
Imaging Device	CYPRESS LUPA-3000 CMOS Imager (color or monochrome, 8 bit A/D)
Active Image Pixels	1696 (h) × 1710 (v), 3 megapixels
Pixel size	8 μ m × 8 μ m
Active Image Area	13.57 mm (h) × 13.68 mm (v)
Sensor Clock Rate	85 MHz
Light Sensitivity	1,200 ASA monochrome, 1,000 ASA RGB
Video Output	Digital, 8 tap × 8 bit / 10 tap × 8 bit
Camera Interface	Full Camera Link
Max. Frame Rate	285 fps
Shutter Type	Global Electronic Shutter
Exposure Time	1 us to 7 sec (1 us step)
Partial Scan	Max 628 fps at 1280 × 1024 pixel resolution
Black Level Offset	Adjustable (0 to 63 LSB at 8 bit)
Video Gain	Analog: 0 to 12 dB, 64 steps
Trigger Mode	Mode(free run , trigger), Programmable exposure, Programmable trigger polarity
External Trigger	3.3V - 5.0V, 10mA, optically isolated
Software Trigger	CC1, programmable exposure
Dynamic Range	> 52 dB
Lens Mount	C-mount or F-mount
Special Feature	CMOS Fixed Pattern Noise Correction
Power Requirements	10~14VDC , max. 7W
Environmental	Operating : 0°C to 40°C, Storage :-30°C to 65°C
Mechanical	68mm × 68mm × 54mm, 420g (w/ C-mount adaptor)

Quantum Efficiency Curves



Ordering Scheme

VC - 3MC - M280DO

Series VC series	Sensor Option D0 - Cypress
Sensor Resolution 3M - 3 megapixels	Frame Rate 280 - 280 fps
Interface C - Camera Link G - GigE	Mono / Color M - Monochrome C - Color

Connector Specifications

Power



1 2 3 : +12V DC, 4 5 6 : GND
(HR10A-7R-6PB)

Control

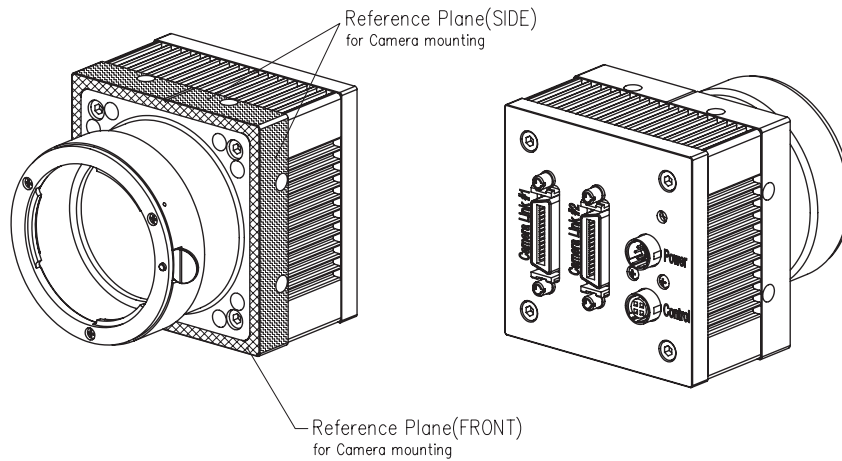
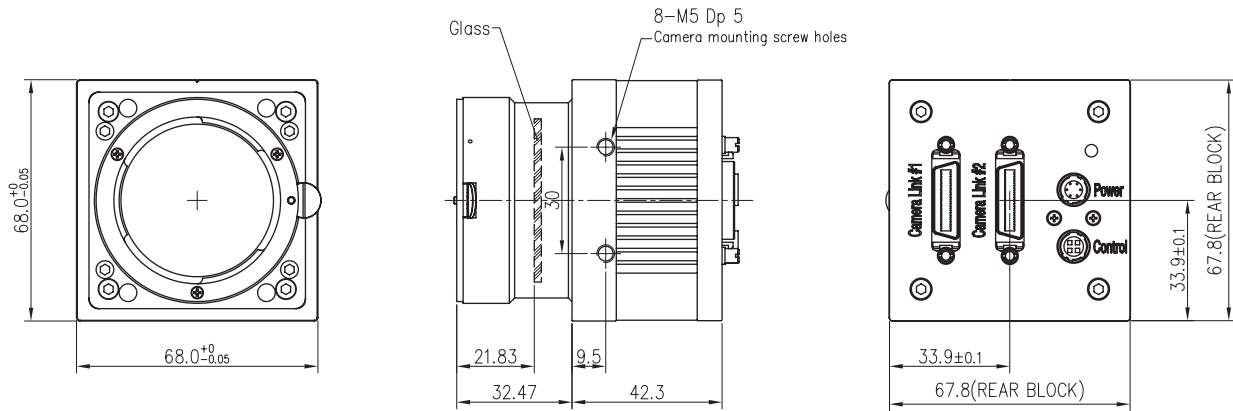


1 : Trigger IN+, 2 : Trigger IN-
3 : Strobe OUT- (GND), 4 : Strobe OUT+
(HR10A-7R-4SB)

Connectors on camera body

Mechanical Dimensions

Unit : mm



Reproduction in whole or in part without written permission is prohibited. Vieworks Co., Ltd. is not responsible for any technical or typographical errors and reserves the right to make changes to products, specifications and documentation without prior notice.

VMCB-VCO2-R001EN



Société SAIS
2 rue Henri Janin
78470 ST REMY LES CHEVREUSE

Tel : 09 54 16 23 53 - Fax : 01 30 47 93 37

contact@sacasa.info - www.sacasa.info