



Introduction

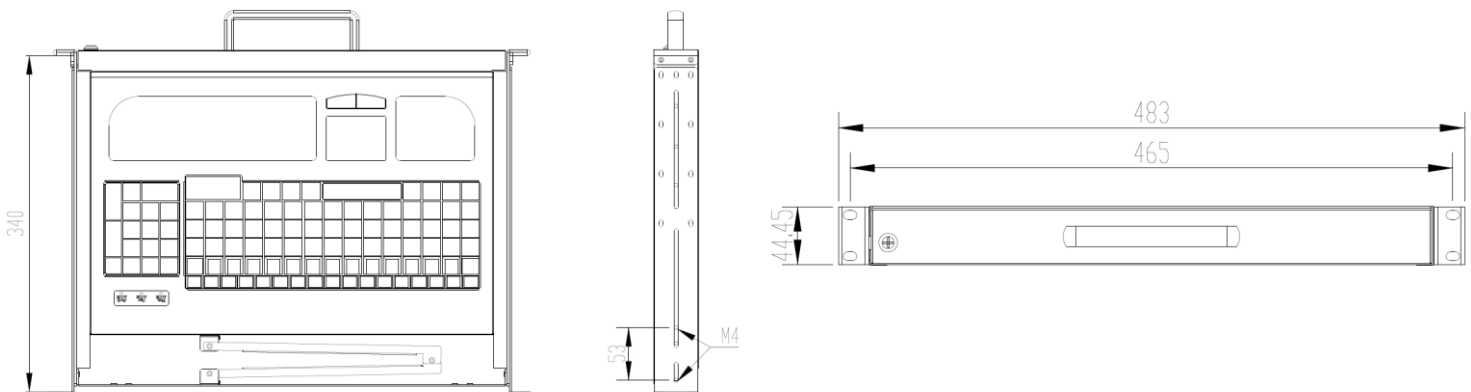
KB-101 is the most slim keyboard drawer which houses a compact IBM-PC XT/AT compatible 104-key keyboard and a touch pad for Windows application. It has a slide bar holding the keyboard and mouse cable for smooth operation.

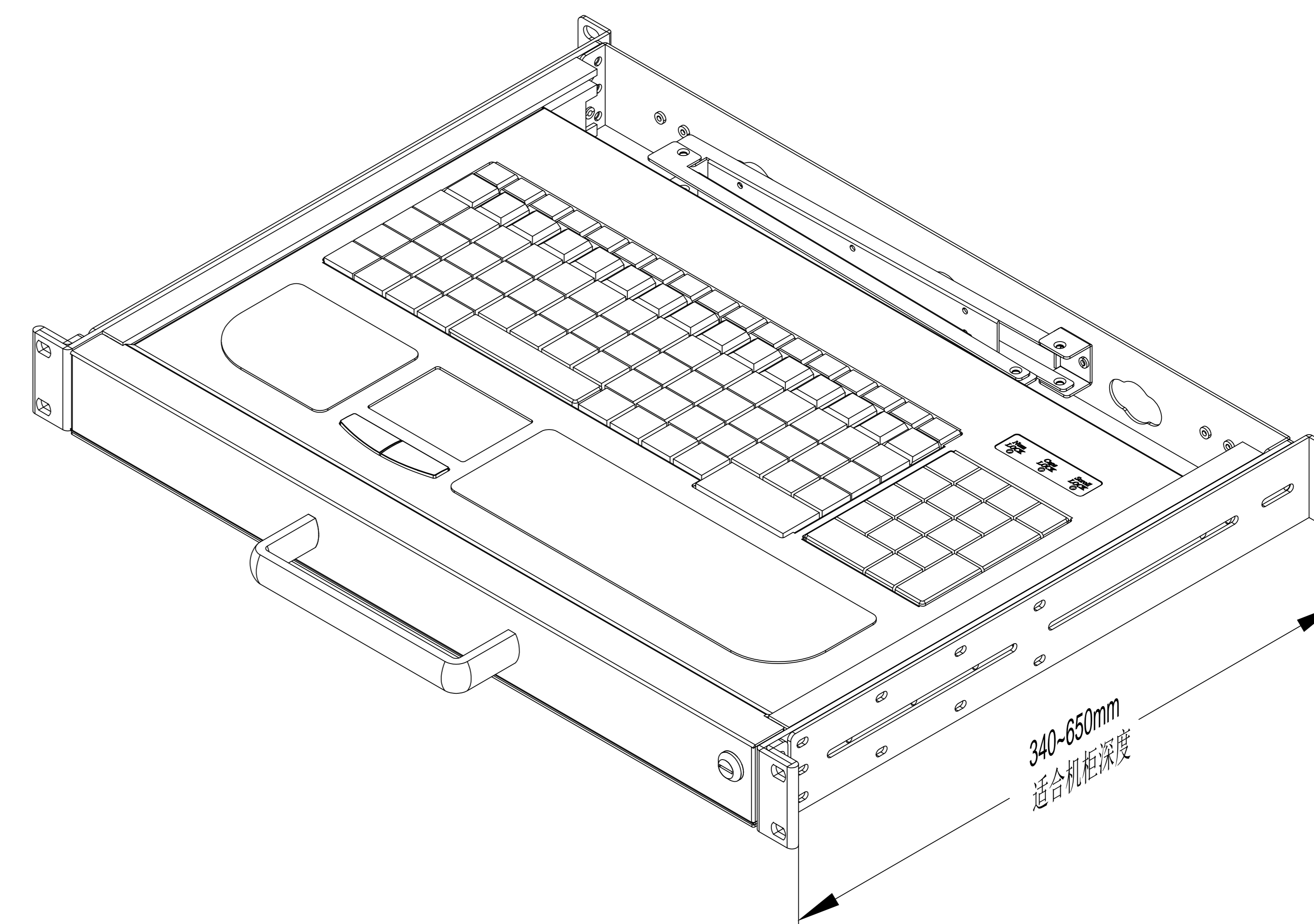
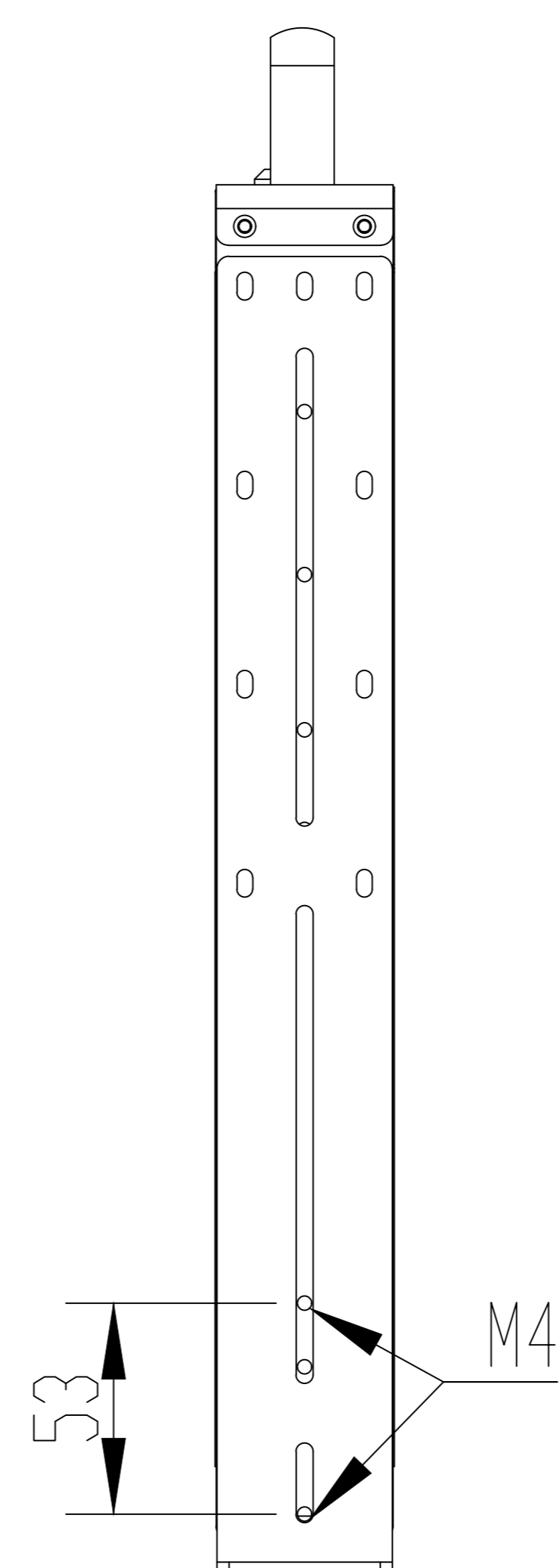
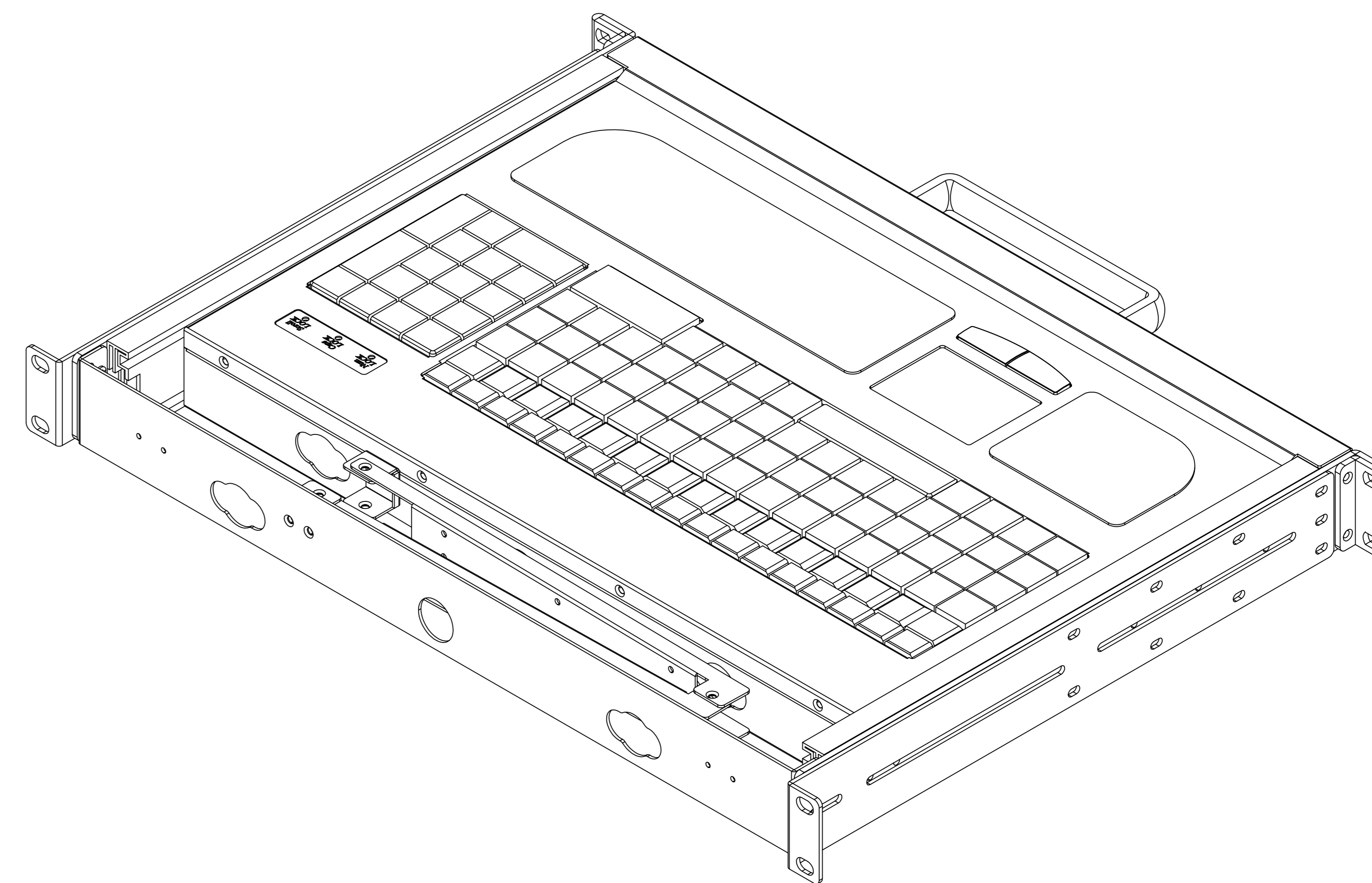
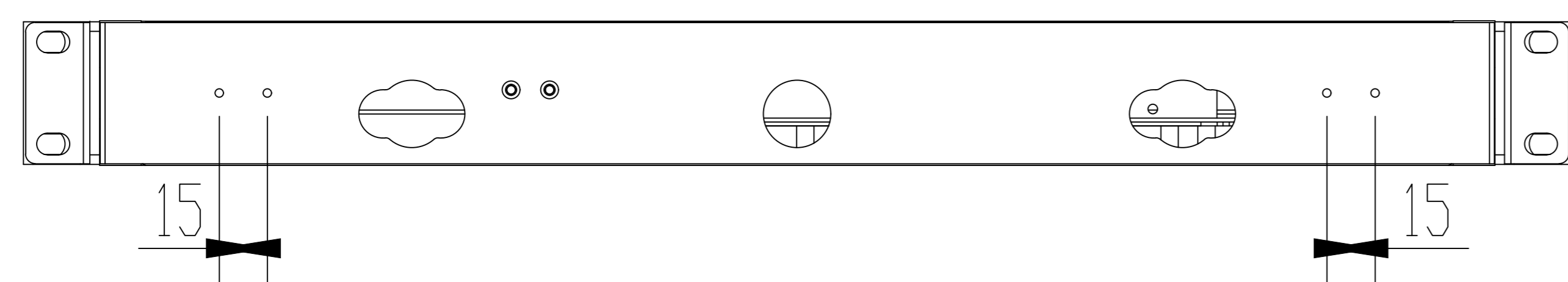
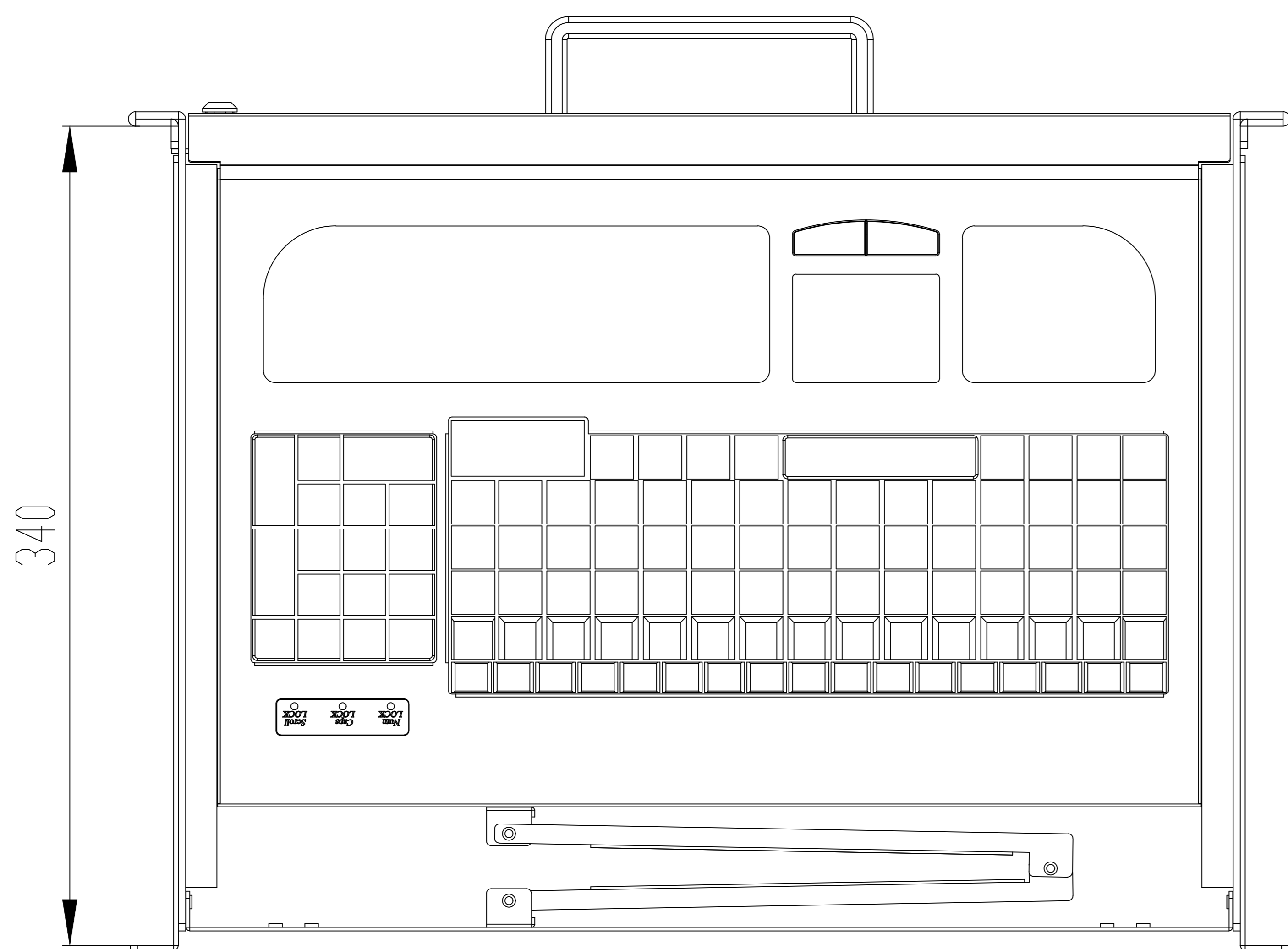
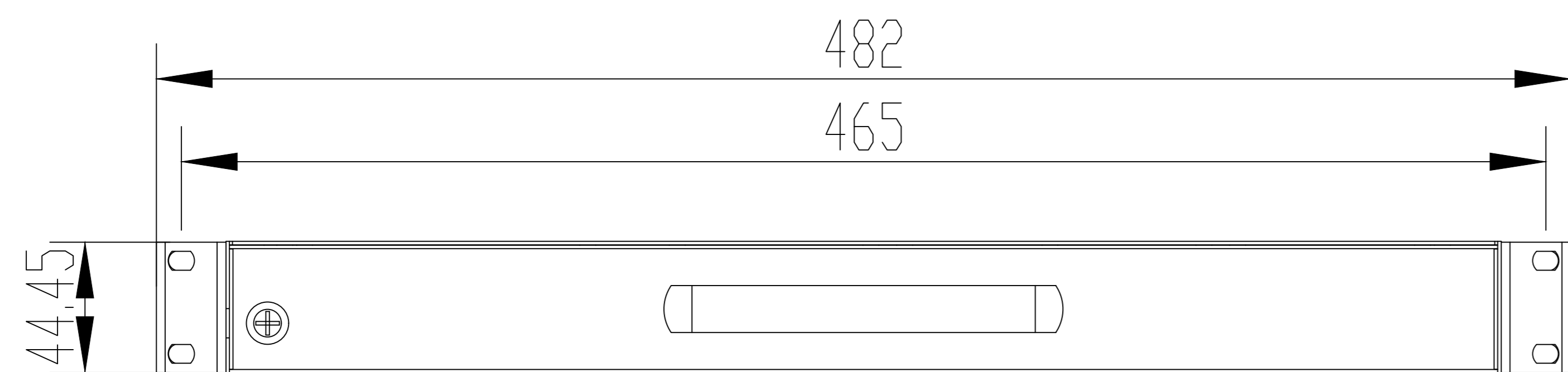
Features

- Smart and compact design for rack-mount application
- 1U (1.75") height to save space
- Equipped with 104-key keyboard and touch pad

NOUVELLE PROFONDEUR : 340 mm

Part No.	KB-101
Physical Dimension (W x H x D)/Net Weight	483 x 44 x 352 mm / 6.5 KG
Packing Dimension (W x H x D)/Gross Weight	560 x 150 x 490 mm / 8.5 KG
Construction	Heavy-duty steel
Color	black
No. of Keys	104
Keys Travel	4 mm
Compatibility	Microsoft
Rack Depth	340mm to 650mm (rack cabinet front rails to rear rails)
Interface	USB
LED	Num. Cap. Scroll Lock
MTBF	10 million strokes
Safety	CE / FCC / RoHs
Storage Temp	0° ~ 70°C (32° ~ 167°)
Operating Humidity	5% ~ 95%, Non-condensing
Storage Humidity	5% ~ 95%





- 注意:
1. 所有工件必须倒毛刺 去接刀痕。
 2. 所有线性尺寸按GB1804-M级。
 3. Finish: Coating (Spec. See Sample)

毛边朝	1、绿色面	2、白色面											
TOL	< 30	:	±0.1	UNIT : mm	FINISHING		PART NO.		Ver.	A1			
	30 < 120	:	±0.15	3RD ANGLE'S	MATERIAL		MOLD NO.	KB-101	Q'ty	1			
	120 < 315	:	±0.2	APPROVED			TITLE	KB-101-3D3V					
	315 <	:	±0.3	CHECKED			DRAWING NO.	KB-101-3D3V.DWG					
	ANGLE TOL	:	±0.5°	DESIGNED	LCH	20191128	SIZE	A3	SCALE	0.250	SHEET:	1	OF 1
				DRAWN									



△			
△			
△			
MARK	DESCRIPTION	SING	DATE
	1		2