



Flip-down Rack Mount Dual LCD Display Drawer

Model # RMD-17W-D2-U



Features

- 2U flip-down foldable dual 17.3 inch widescreen LCD display Drawer
- Dual DVI & VGA Port
- 1920 x 1080 Ultra high resolution
- Support FHD with 1080p resolution.
- Build in 2x 2 watts speakers
- Independent front osd control buttons to optimized display
- Adjust angle 0°~90°

Option

- Composite video input
- HDMI or Display port input
- 3G / HD / SD-SDI broadcast grade input
- DC 9~36 V power input
- AR Hardness glass
- Touch screen

LCD Characteristics :

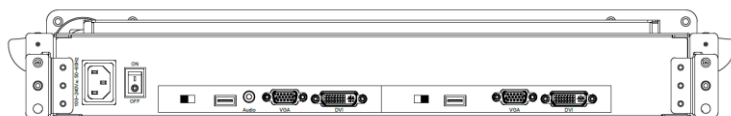
Screen Size	Dual 17.3"
Backlight Type	LED
Resolution	1920*1080
Contrast Ratio	400:1
Brightness (cd/m2)	300
View Angles (H/V)	140/120
Pixel Size (HxV) mm	0.1989x0.1989
Max. Color	262K

Input Signals:

DVI-D	Dual DVI-D 24Pin Connector (Female)
VGA	Dual D-SUB 15Pin Connector (Female)
Audio	1x 3.5" Jack
Power Input	Standard IEC Inlet
Touch-USB (option)	Dual USB A Type connector
Touch-RS232 (option)	Dual D-SUB 9P connector (Female)

Power Specifications :

AC Power Input	Standard IEC Type Power Cord with Internal Power adapter, 100-240V AC Input
Wide Range DC Power Input (option)	Screw Type Terminal Block with internal wide Range DC 9-36V power module



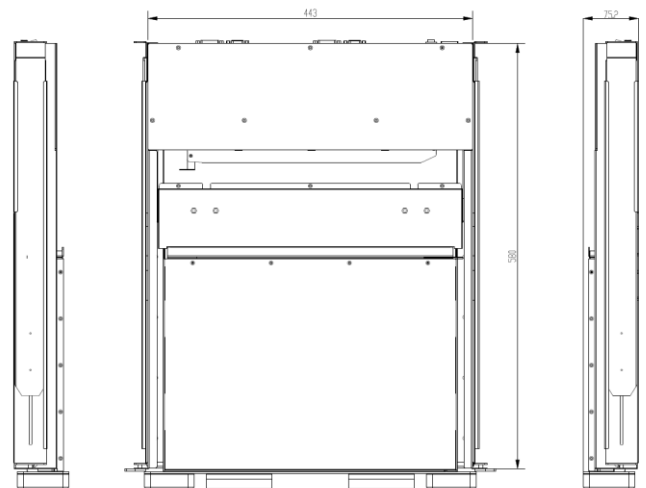
Rear of RMD-17W-D2-U

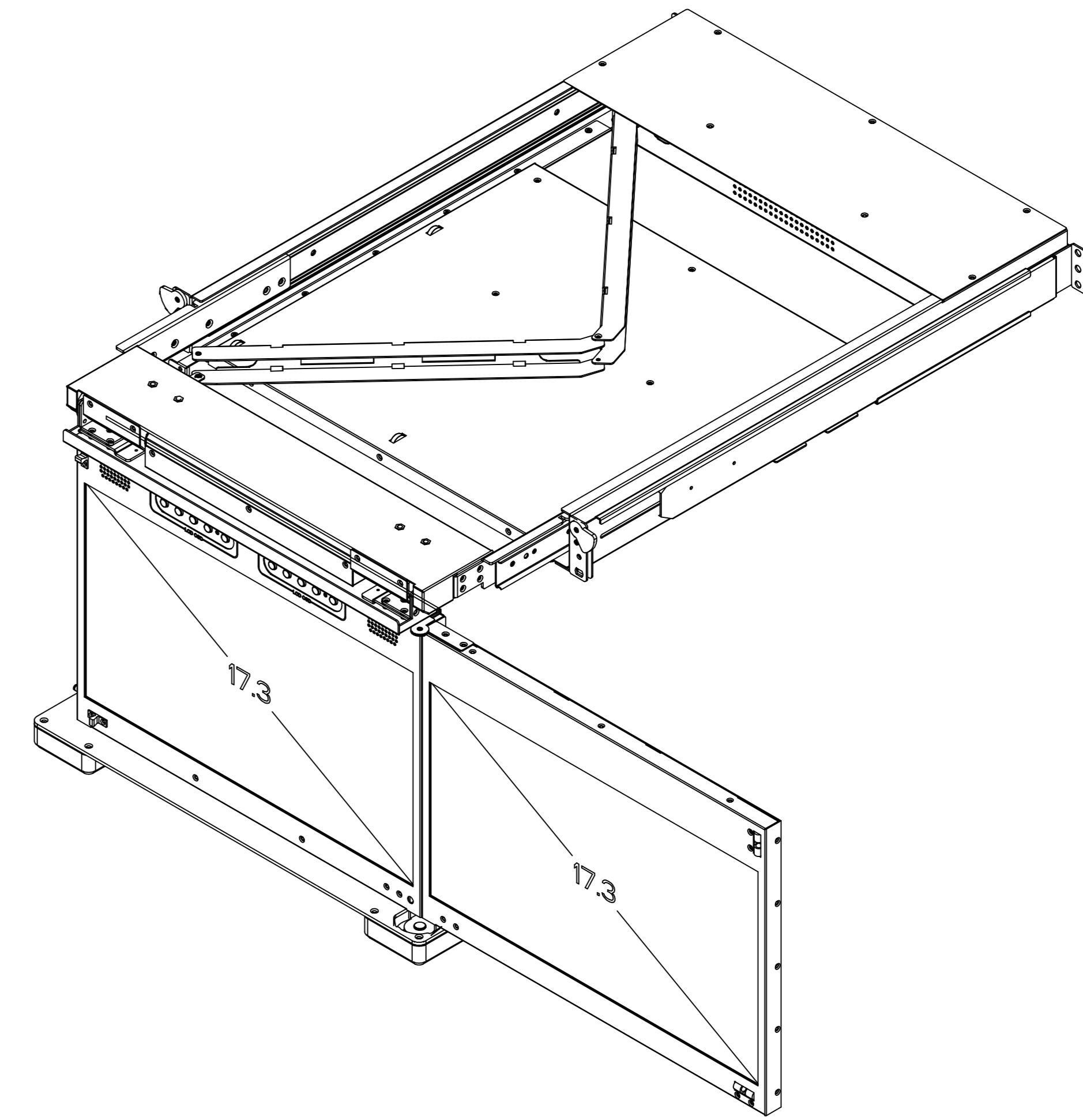
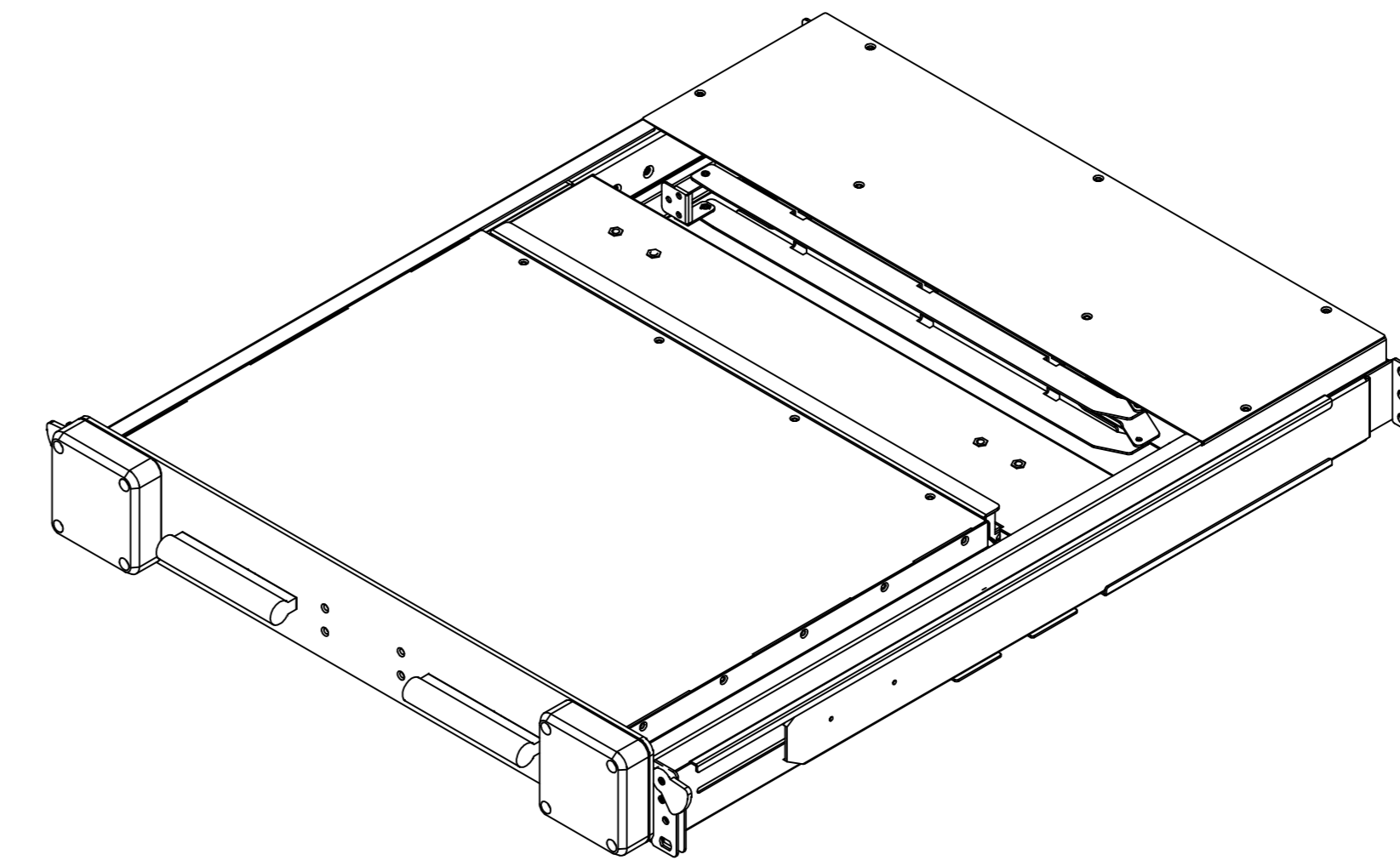
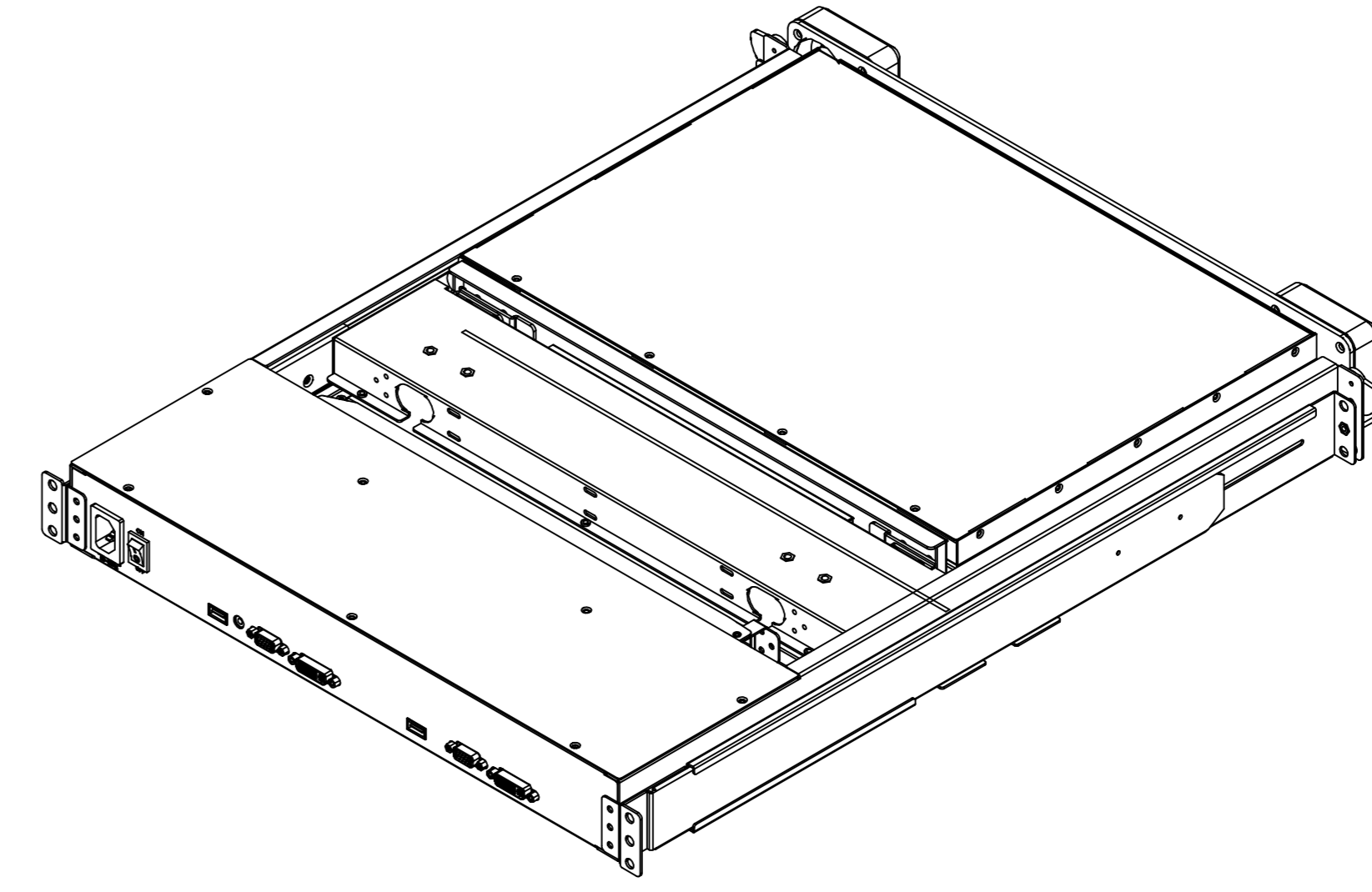
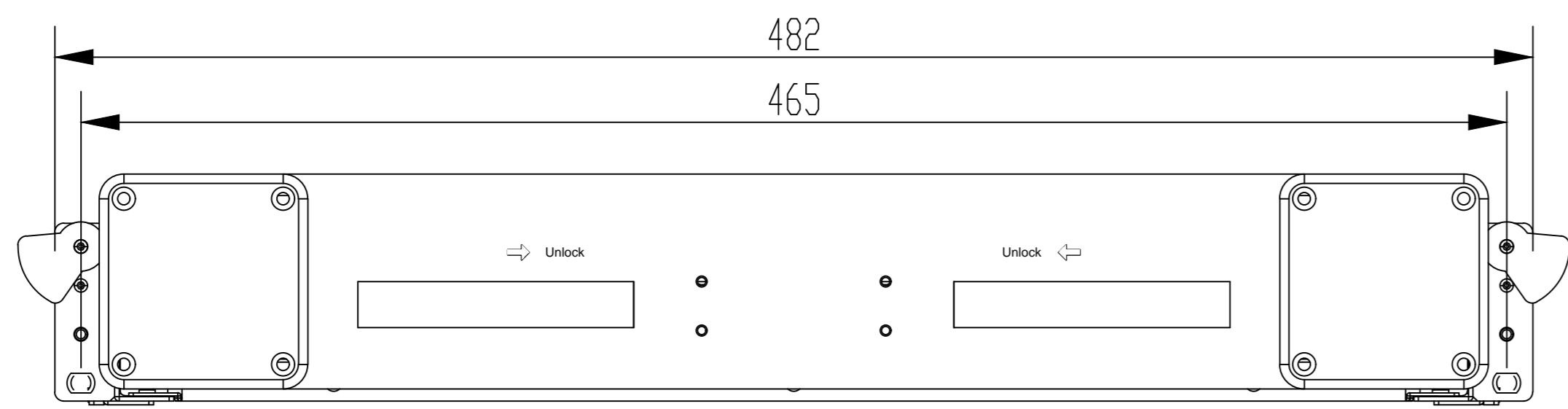
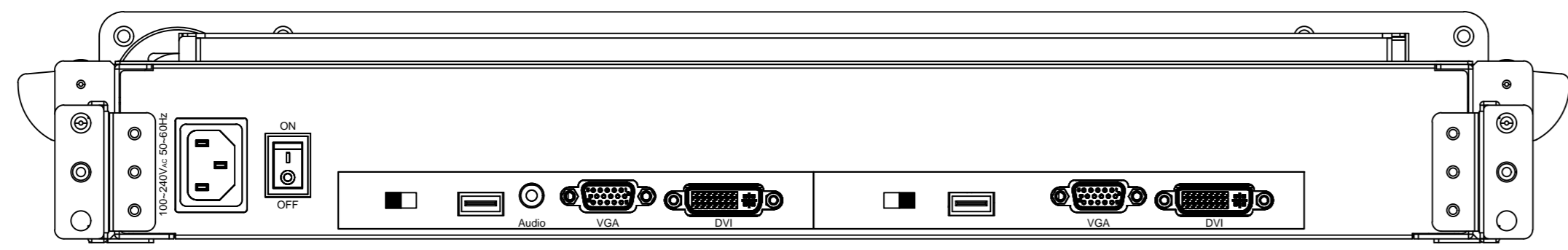
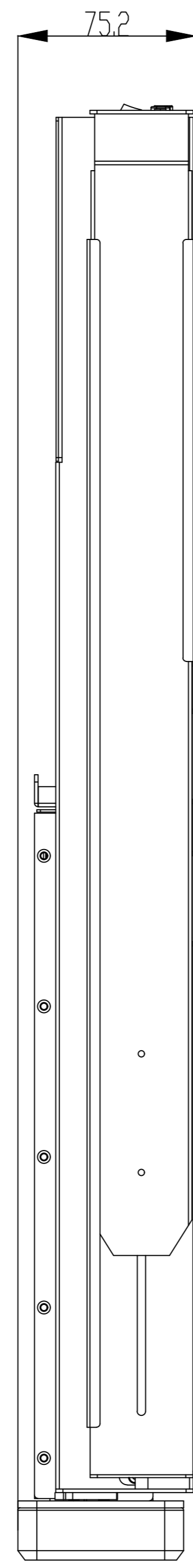
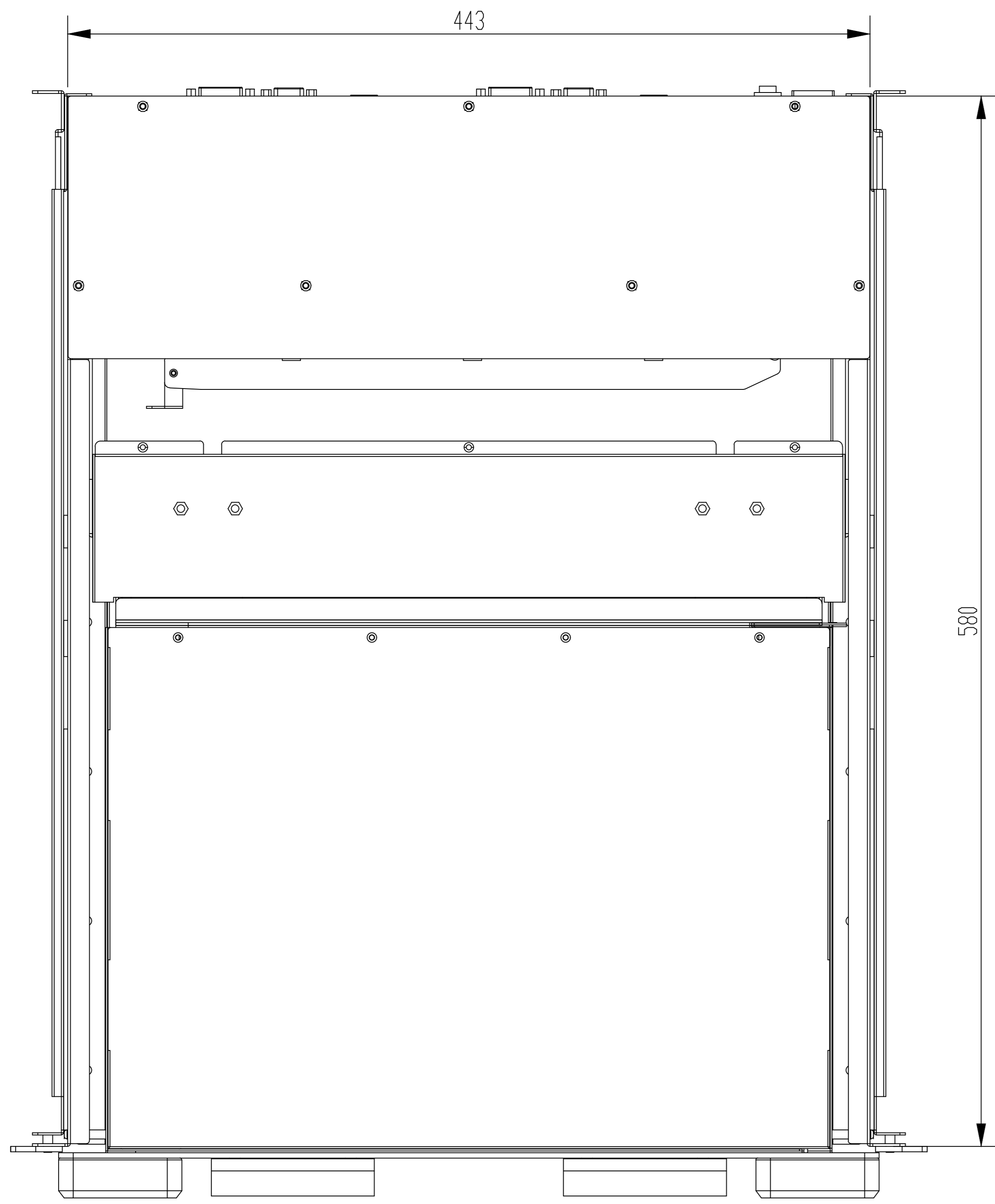
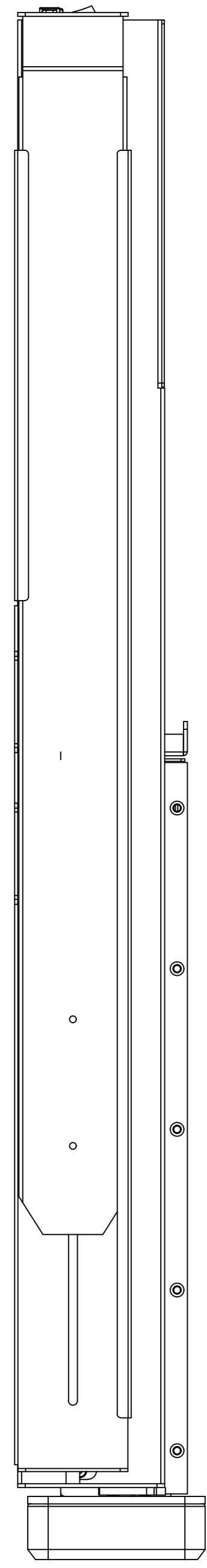
User Controls Interface:

Power ON / OFF via Front Button
Power Mode Status LED indicator
OSD (On Screen Display) Buttons


Mechanical and Environment:

Height	2U Foldable
Rack Depth	550 to 950mm (cabinet front rail to rear rail)
Construction	Metal Housing
Operating Temperature	0 - 50 deg. C
Operating Humidity	5% - 95% (non -condensing)
Anti-Vibration	5 - 500 Hz / 1 Grms PTP
Anti-Shock	15G / Peak (11 ms)
Physical Dimension (WxHxD)	443 x 75 x 580 (mm)
Packing Dimension (WxHxD)	735 x 590 x 235 (mm)
Net Weight / Gross Weight	18.5 / 23 (KGs)
Certification and Approvals	CE / FCC / RoHs





MARK	DESCRIPTION	SING	DATE
△			
△			
△			

		1、绿色面	2、白色面								
TOL	< 30	: ±0.1		UNIT : mm	FINISHING	PART NO.		Ver.	A0		
	30 < 120	: ±0.15		3RD ANGLE'S	MATERIAL	SGCC T=1.0mm	MOLD NO.	RMDU-17WD2	Q'ty	1	
	120 < 315	: ±0.2									
	315 <	: ±0.3		APPROVED	TITLE		RMDU-17WD2				
ANGLE TOL		: ±0.5°		DRAWN		DRAWING NO.		RMDU-17WD2.DWG			
				DESIGNED	LiuChunhua	2019-10-28	SIZE	A3	SCALE	0.2	SHEET: 1 OF 1
				CHECKED		DRAWN		SIZE		A3	SCALE