



# Rack mount Triple Screen LCD Drawer Combination

Best Choice for your multitasking operation

6 Displays Aggregation

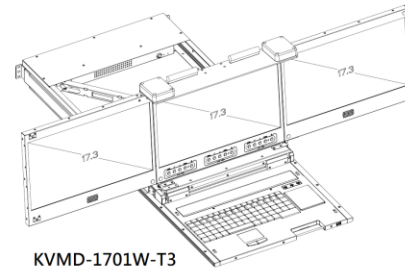
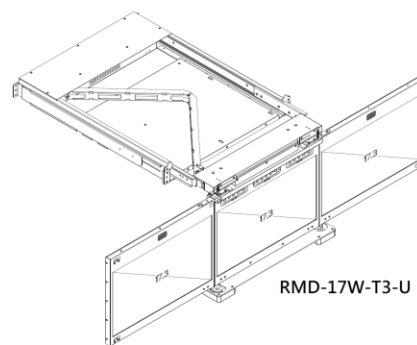
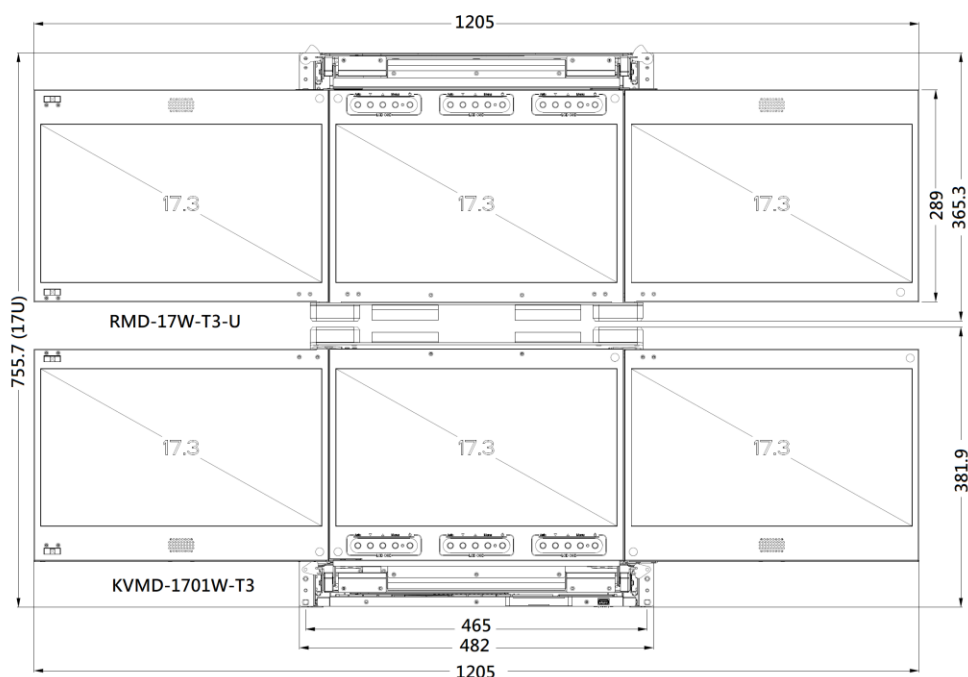
## Features

Rack mounting triple 17.3" FHD displays have been extended to a new application – 6 Displays Aggregation Console :

- Total 17U height on the rack space with outstanding multitasking performance
- Total 4U height in the space-saving storage
- Independent keyboard / touchpad to control below unit.

## Combination

- 1 x RMD-17W-T3-U, a flip down triple screen drawer
- 1 x KVMD-1701W-T3, a dual rail triple screen LCD console with keyboard/mouse operating independently



# Rack mount Triple Screen LCD Drawer Combination

Best Choice for your multitasking operation

6 Displays Aggregation

## Upper unit – RMD-17W-T3-U

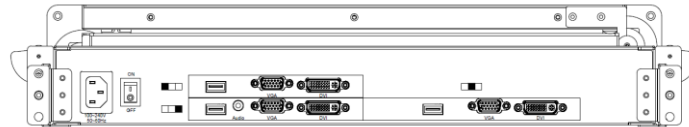


### Features

- 2U flip-down foldable triple 17.3 inch widescreen LCD display Drawer
- Triple DVI & VGA Port
- 1920 x 1080 high resolution
- Support FHD with 1080p resolution.
- Build in 2x 2 watts speakers
- Independent front osd control buttons to optimized display
- Adjust angle 0°~90°

### Options

- Composite video input
- HDMI or Display port input
- 3G / HD / SD-SDI broadcast grade input
- DC 9~36 V power input
- AR Hardness glass
- Touch screen



Rear of RMD-17W-T3-U

Part No.		RMD-17W-T3-U
No. of ports		1
KVM Connectors		3 x DVI-D & 3x VGA / 1x Audio
LCD	Size	Triple 17.3 inch FULL HD display
	Backlight	LED
	Resolution	1920*1080 ( support resolution up to 1920*1200 )
	Max.color	262K
	Luminance	300 cd/m2
	View Angel (H/V)	140 / 120
	Contrast Ratio	650 : 1
Port Selection		N/A
Audio		1 x 3.5mm Audio jack
Rack Depth ( rack cabinet front rails to rear rails )		580mm to 950mm
Power		100-240V AC 50/60Hz via IEC Type power cord
Environment		Operation temp: 0 to 50°C Storage temp: -20 to 60°C Humidity: 10% - 90%, non-condensing Shock: 10G acceleration ( 11ms duration) Vibration: 17 to 500Hz 1G PTP
Physical Dimensions ( W x H x D ) / Net Weights ( KGs )		443 x 88 x 580mm / 18.5
Packing Dimensions ( W x H x D ) / Gross weights ( KGs )		735 x 590 x 235mm / 22.0
<b>Accessory</b>		
RMD-17W-T3-U	1.8meter IEC Type Power Cord x1 , 1.8meter DVI Cable x3 , 1.8meter VGA Cable x3 ,1.8meter Audio Cable x1	

# Rack mount Triple Screen LCD Drawer Combination

Best Choice for your multitasking operation  
6 Displays Aggregation

## Lower unit – KVMD-1701W-T3

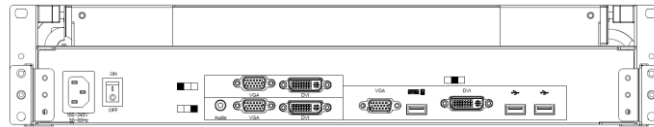


## Features

- 2U Triple 17.3 inch widescreen LCD Console Drawer
- Triple DVI & VGA Port
- 1920 x 1080 Ultra high resolution
- Support FHD with 1080p resolution.
- Dual rail design, capable the LCD screen and keyboard tray Operated independently.
- Front 1xUSB, Rear 2xUSB 2.0 Type A, Sharing USB peripheral Device for computer (ex, flash disk, hard driver, KB/Mouse)
- 104-key keyboard with touch pad mouse.
- USB 2.0 Keyboard & Mouse
- Build in 2x 2 watts speakers

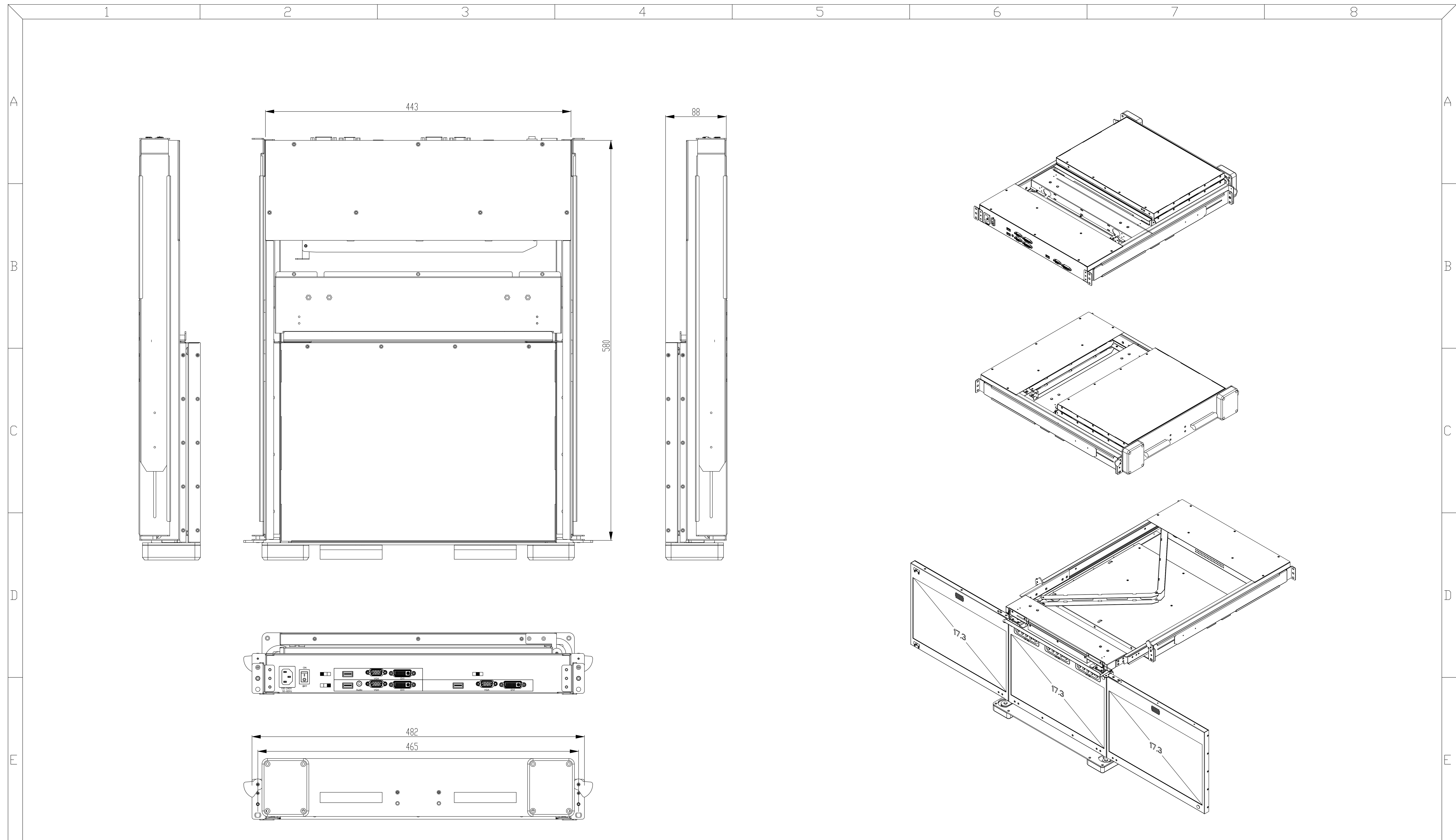
## Options

- Composite video input
- HDMI or Display port input
- 3G / HD / SD-SDI broadcast grade input
- DC 9~36 V power input
- AR Hardness glass
- Touch screen



Rear of KVMD-1701W-T3

Part No.		KVMD-1701W-T3
No. of ports		1
KVM Connectors		3 x DVI-D & 3x VGA / 1 x USB for KB & Mouse / 1x Audio
LCD	Size	Triple 17.3 inch FULL HD display
	Backlight	LED
	Resolution	1920*1080 ( support resolution up to 1920*1200 )
	Max.color	262K
	Luminance	300 cd/m2
	View Angel (H/V)	140 / 120
	Contrast Ratio	650 : 1
Port Selection		N/A
USB HUB		Yes , Front x1 & Rear x 2 USB 2.0 Type A for USB Peripheral Device
Audio		1 x 3.5mm Audio jack
KB/Mouse Emulation		USB 2.0
Rack Depth ( rack cabinet front rails to rear rails )		580mm to 950mm
Power		100-240V AC 50/60Hz via IEC Type power cord
Environment		Operation temp: 0 to 50°C Storage temp: -20 to 60°C Humidity: 10% - 90%, non-condensing Shock: 10G acceleration ( 11ms duration) Vibration: 17 to 500Hz 1G PTP
Physical Dimensions ( W x H x D ) / Net Weights ( KGs )		443 x 88 x 580mm / 18.5
Packing Dimensions ( W x H x D ) / Gross weights ( KGs )		735 x 590 x 235mm / 22.0
<b>Accessory</b>		
KVMD-1701W-T3	1.8meter IEC Type Power Cord x1 , 1.8meter DVI Cable x3 , 1.8meter VGA Cable x3 , 1.8meter USB Cable x1 ,1.8meter Audio Cable x1	



注意：  
 1. 所有工件必须倒毛刺 去接刀痕。  
 2. 所有线性尺寸按GB1804-M级。  
 3. Finish: Coating (Spec. See Sample)

△			
△			
△			
MARK	DESCRIPTION	SING	DATE
1		2	

$\sqrt{R} \pm 0.3$ 1、绿色面 2、白色面		UNIT : mm		FINISHING		PART NO.		Ver.		A0	
TOL	< 30	:	±0.1	3RD ANGLE'S	MATERIAL	SGCC T=1.0mm	MOLD NO.	RMDU-17WT3	Q'ty	1	
	30 < 120	:	±0.15								
	120 < 315	:	±0.2	APPROVED		TITLE		RMDU-17WT3			
	315 <	:	±0.3			DESIGNED		LiuChunhua		2019-7-12	
	ANGLE TOL	:	±0.5°			DRAWN				2019-7-12	
				DRAWING NO.		RMDU-17WT3.DWG		DRAWING NO.		RMDU-17WT3.DWG	
				SIZE		A3		SCALE		0.2	
				SHEET: 1		OF 1					

