



### Features

- 2U dual vertical 19 inch LCD Console Drawer
- 2 gas struts to support LCD when open
- Dual DVI & VGA Port
- 1280 x 1024 resolution
- Dual rail design, hidden & Independent retractable tray for ultra convenience
- Build in 2x 2 watts speakers

### Option

- Composite video input
- HDMI or Display port input
- 3G / HD / SD-SDI broadcast grade input
- DC 9~36 V power input
- AR Hardness glass
- Touch screen

### LCD Characteristics :

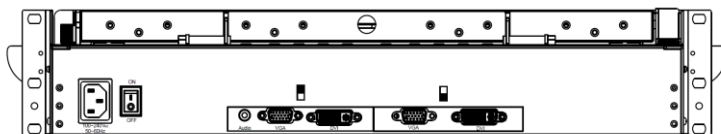
Screen Size	Dual 19"
Backlight Type	LED
Resolution	1280*1024
Contrast Ratio	1000:1
Brightness ( cd/m2 )	250
View Angles ( H/V )	170/170
Max. Color	16.7M

### Input Signals:

DVI-D	Dual DVI-D 24Pin Connector (Female)
VGA	Dual D-SUB 15Pin Connector (Female)
Audio	1x 3.5" Jack
Power Input	Standard IEC Inlet
Touch-USB ( option )	Dual USB A Type connector
Touch-RS232 ( option )	Dual D-SUB 9P connector ( Female )

### Power Specifications :

AC Power Input	Standard IEC Type Power Cord with Internal Power adapter, 100-240V AC Input
Wide Range DC Power Input ( option )	Screw Type Terminal Block with internal wide Range DC 9-36V power module



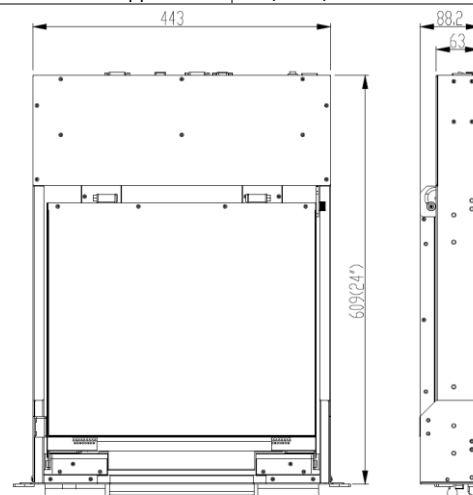
Rear of RMD-19D2V

### User Controls Interface:

Power ON / OFF via Front Button
Power Mode Status LED indicator
OSD ( On Screen Display ) Buttons

### Mechanical and Environment:

Height	2U Foldable
Rack Depth	610 to 940mm ( cabinet front rail to rear rail )
Mounting	Rack Mount
Construction	Metal Housing
Operating Temperature	0 - 50 deg. C
Operating Humidity	5% - 95% ( non -condensing )
Anti-Vibration	5 - 500 Hz / 1 Grms PTP
Anti-Shock	15G / Peak ( 11 ms )
Physical Dimension (WxHxD)	443 x 87 x 609 (mm)
Packing Dimension (WxHxD)	700 x 600 x 240 (mm)
Net Weight / Gross Weight	21 / 29.5 (KGs)
Certification and Approvals	CE / FCC / RoHS



1 2 3 4 5 6 7 8

A A

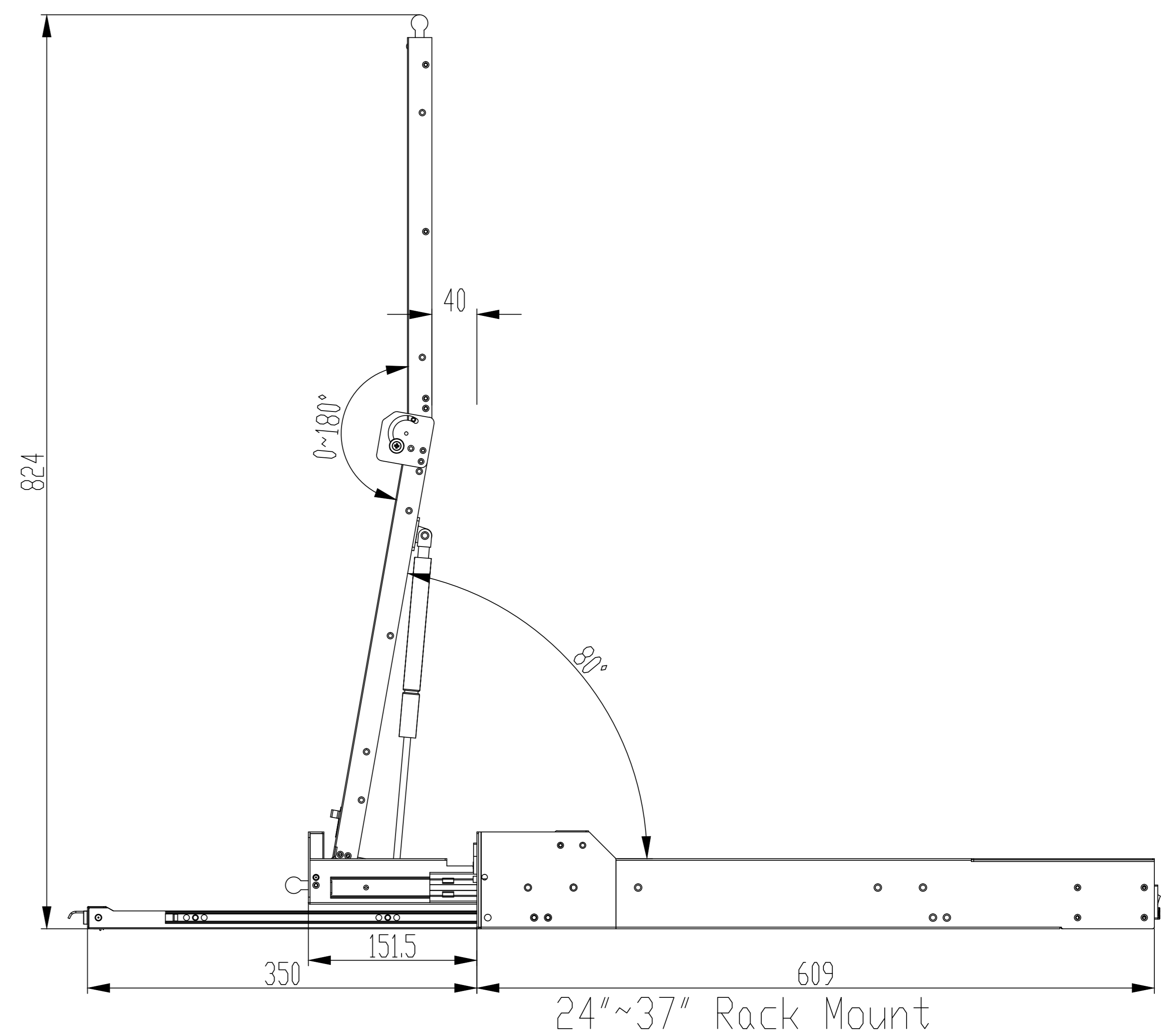
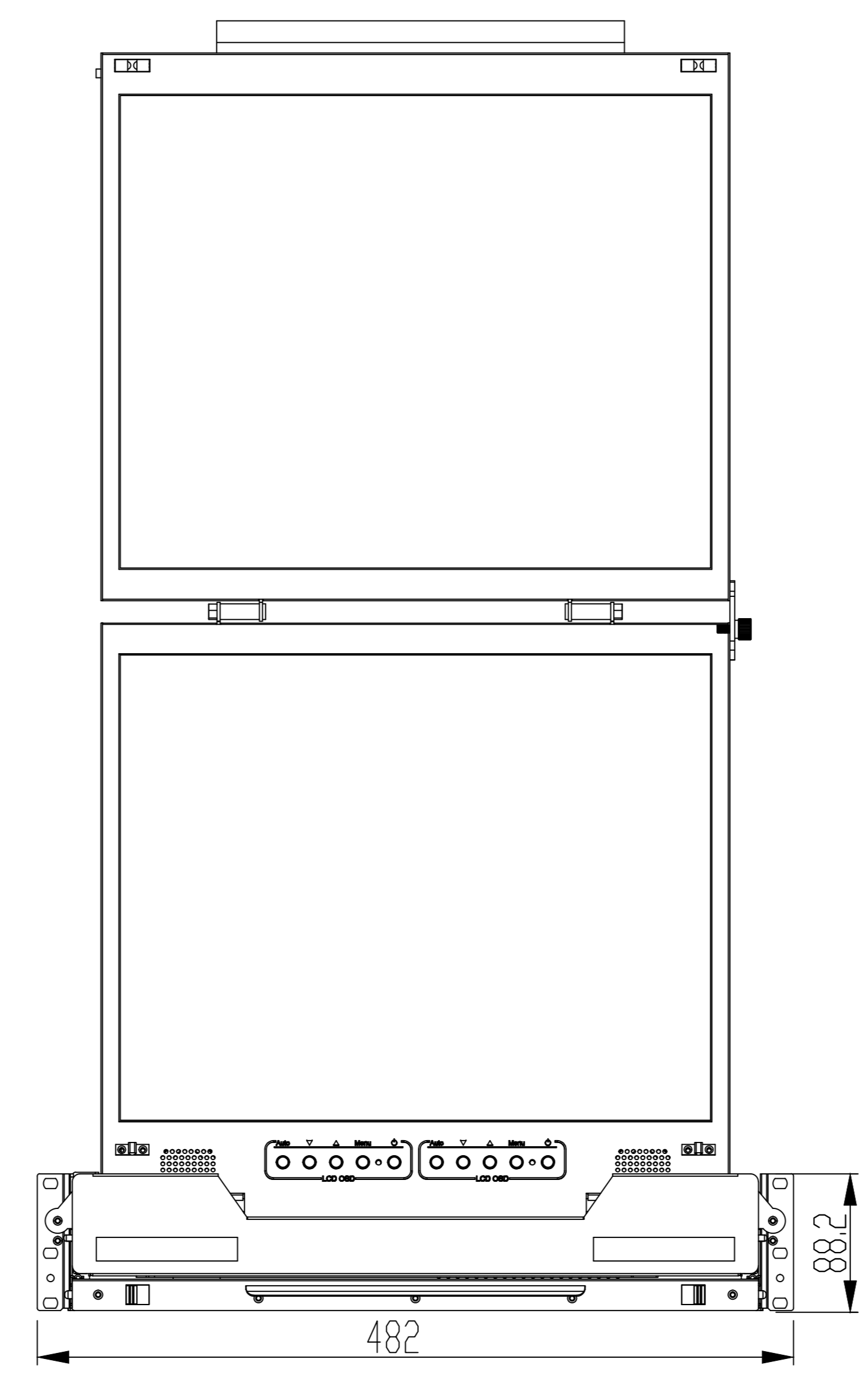
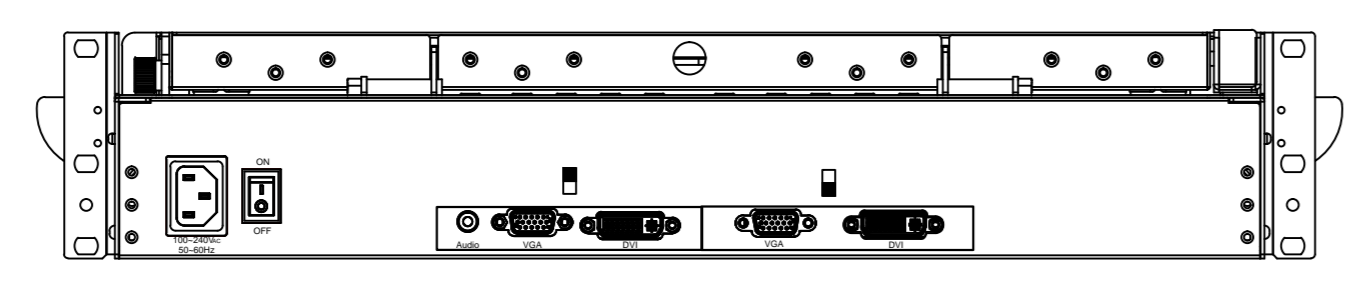
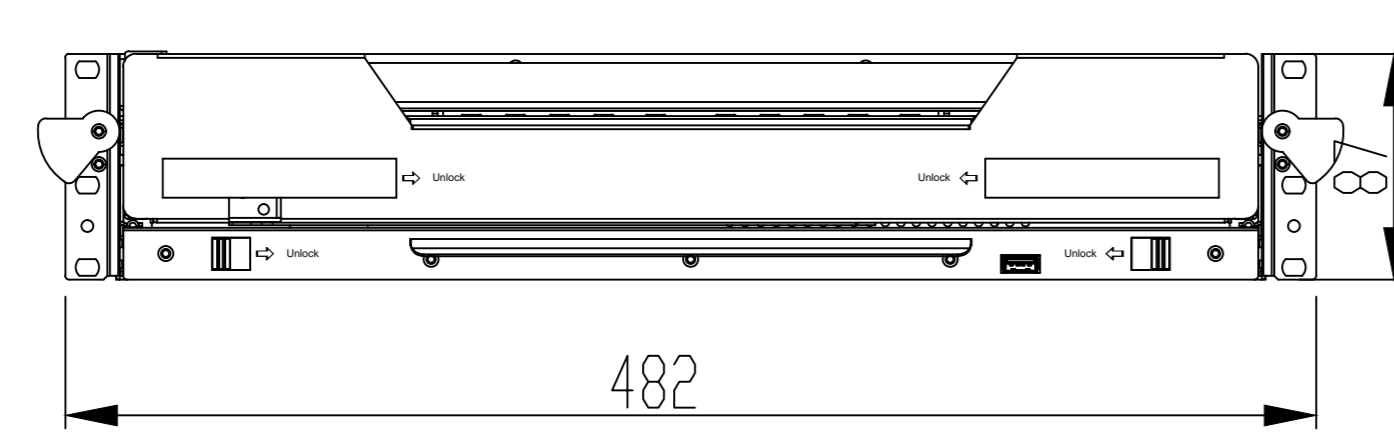
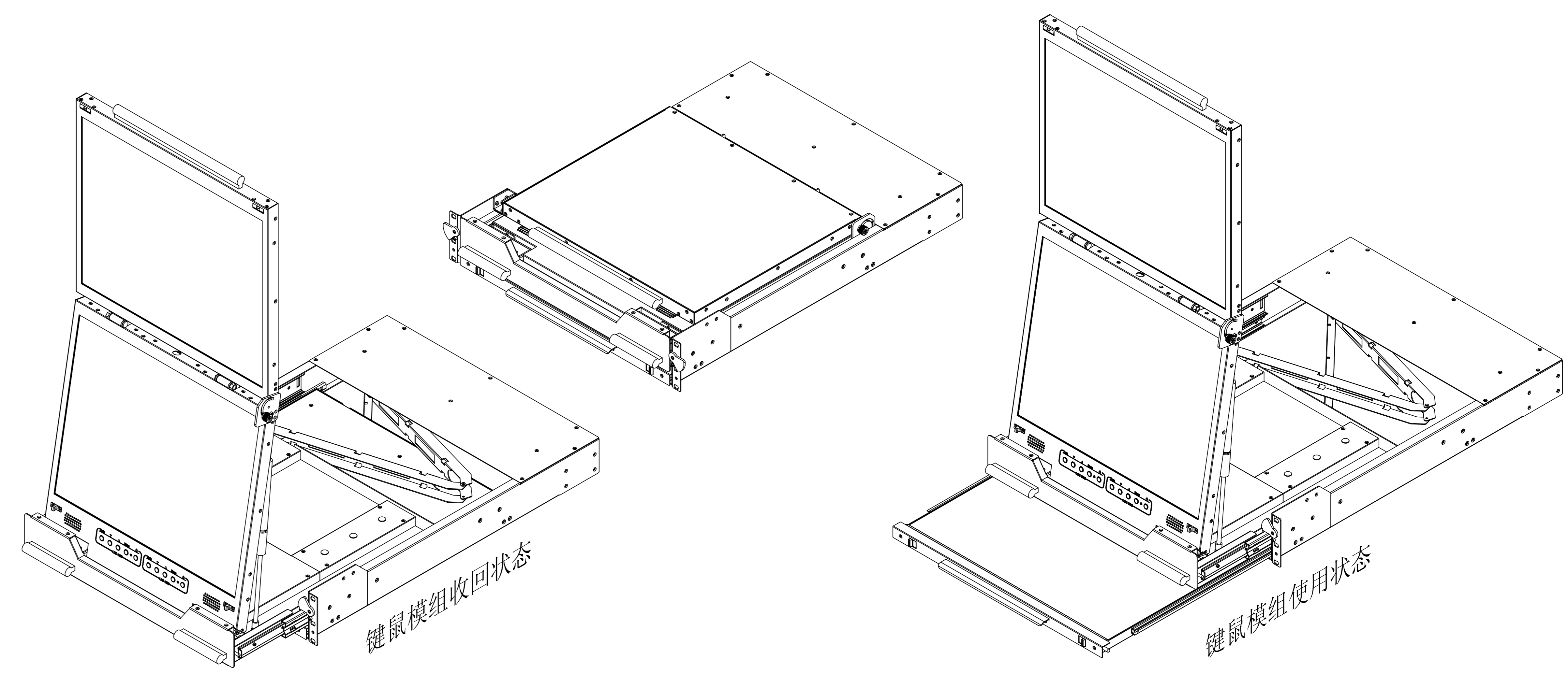
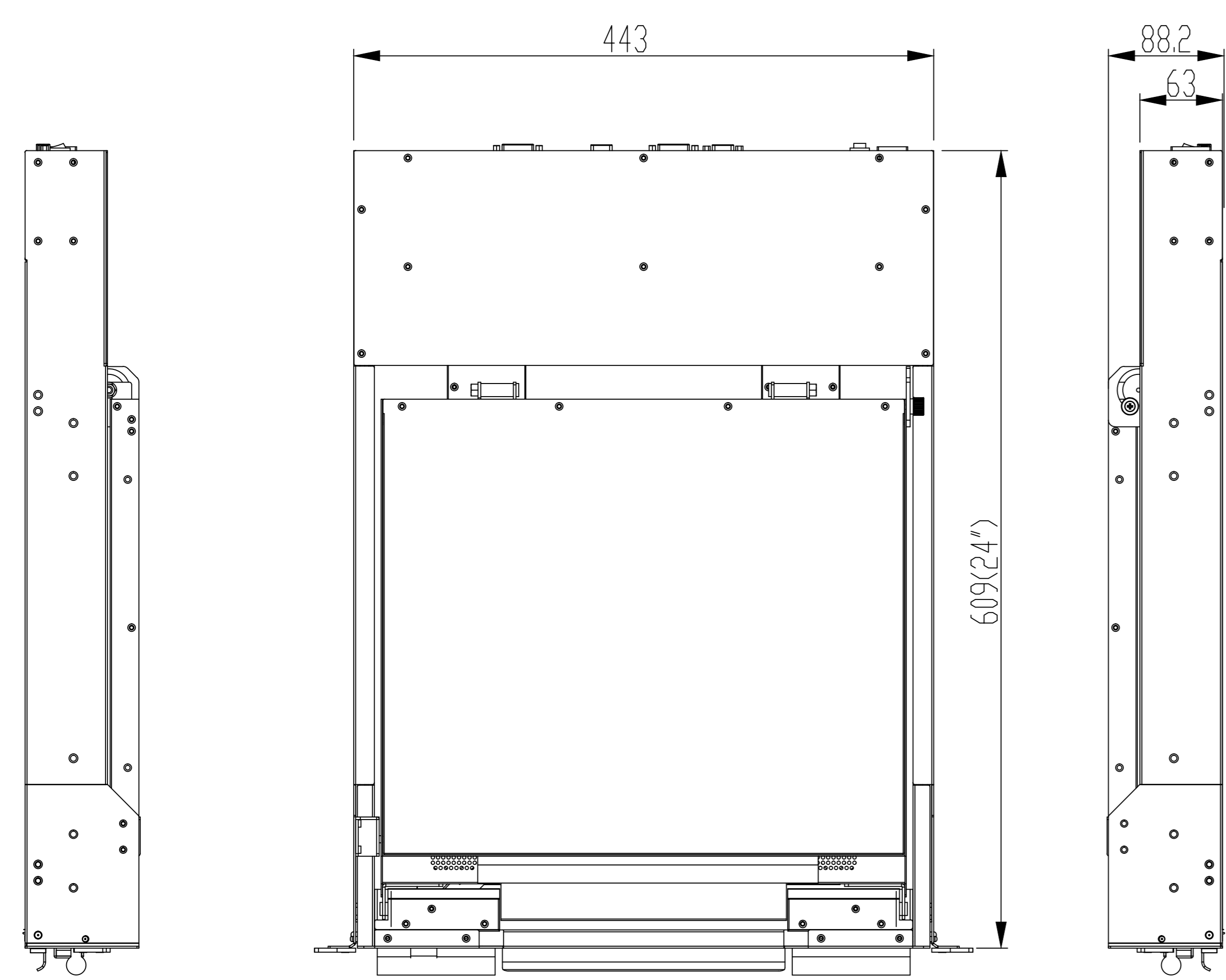
B B

C C

D D

E E

F F



注意：  
 1. 所有工件必须倒毛刺 去接刀痕。  
 2. 所有线性尺寸按GB1804-M级。  
 3. Finish: Coating (Spec. See Sample)

△			
△			
△			
MARK	DESCRIPTION	SING	DATE
1		2	

毛边朝	1、绿色面	2、白色面							
TOL	< 30	: ±0.1	UNIT : mm	FINISHING	PART NO.		Ver.	A0	
	30 < 120	: ±0.15	3RD ANGLE'S	MATERIAL	MOLD NO.	KVMD-19D2V	Q'ty	1	
	120 < 315	: ±0.2	APPROVED	TITLE		KVMD-19D2V-3D3V			
	315 <	: ±0.3	CHECKED	DESIGNED	LCH	2019-4-10	DRAWING NO.	△	
ANGLE TOL	:	±0.5°	DRAWN	SIZE		A3	SCALE	0.125	SHEET: 1 OF 1