

Rack Mount Dual LCD Drawer (screen pivot)

Model # RMD-24W-D2 / RMD-24WU-D2



Features

- 2U foldable dual 23.8" or 24.1" widescreen LCD display Drawer
- Dual DVI & VGA Port
- native 1920 x 1080 FHD resolution (for 23.8")
- native 1920 x 1200 WUXGA Ultra high resolution (for 24.1")
- Build in 2x 2 watts speakers
- Independent front osd control buttons to optimized display

Option

- Composite video input
- HDMI or Display port input
- 3G / HD / SD-SDI broadcast grade input
- DC 9~36 V power input
- AR Hardness glass
- Touch screen

LCD Characteristics :

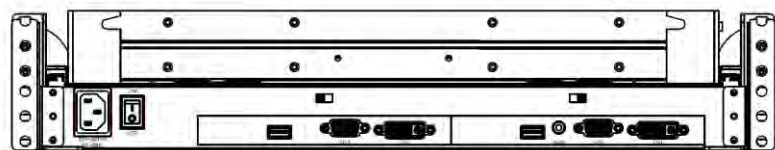
Model NO.	RMD-24W-D2	RMD-24WU-D2
Screen Size	Dual 23.8"	Dual 24.1"
Backlight Type	LED	LED
Native Resolution	1920 x 1080	1920 x 1200
Contrast Ratio	1000:1	1000:1
Brightness (cd/m2)	250	300
View Angles (H/V)	178/178	178/178
Pixel Size (HxV) mm	0.2745x0.2745	0.27x0.27
Max. Color	16.7M	16.7M

Input Signals:

DVI-D	Dual DVI-D 24Pin Connector (Female)
VGA	Dual D-SUB 15Pin Connector (Female)
Audio	1x 3.5" Jack
Power Input	Standard IEC Inlet
Touch-USB (option)	Dual USB A Type connector
Touch-RS232 (option)	Dual D-SUB 9P connector (Female)

Power Specifications :

AC Power Input	Standard IEC Type Power Cord with Internal Power adapter, 100-240V AC Input
Wide Range DC Power Input (option)	Screw Type Terminal Block with internal wide Range DC 9-36V power module



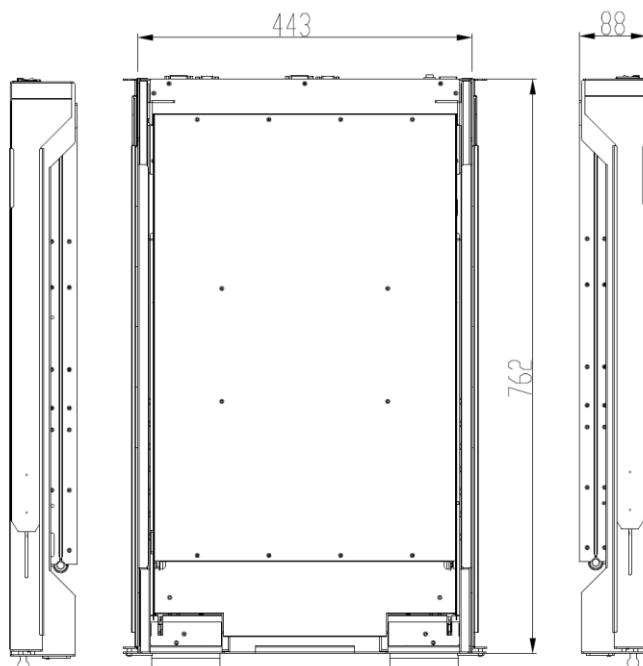
Rear of RMD-24W-D2/RMD-24WU-D2

User Controls Interface:

Power ON / OFF via Front Button
Power Mode Status LED indicator
OSD (On Screen Display) Buttons

Mechanical and Environment:

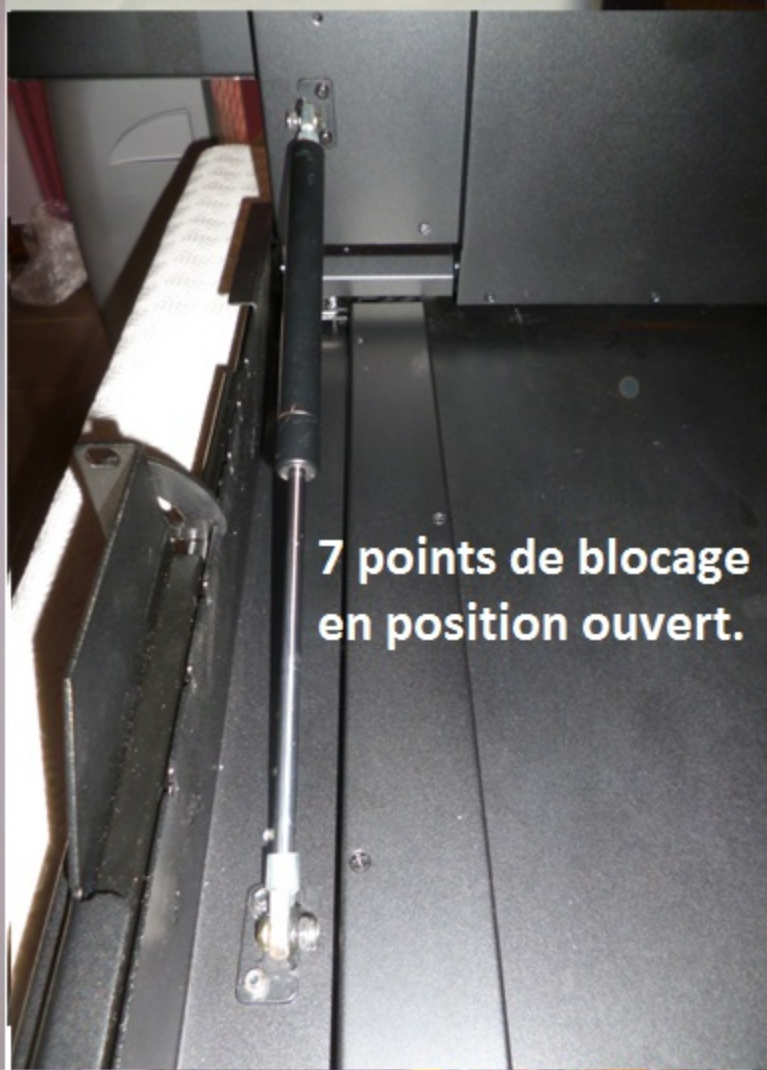
Height	2U Foldable
Rack Depth	24" to 40" (cabinet front rail to rear rail)
Construction	Metal Housing
Operating Temperature	0 - 50 deg. C
Operating Humidity	10% - 90% (non -condensing)
Anti-Vibration	5 - 500 Hz / 1 Grms PTP
Anti-Shock	15G / Peak (11 ms)
Physical Dimension (WxHxD)	443 x 88 x 762 (mm)
Packing Dimension (WxHxD)	570 x 230 x 900 (mm)
Net Weight / Gross Weight	28 / 35 (KGs)
Certification and Approvals	CE / FCC / RoHs



CE FC RoHS COMPLIANT







Rack Mount Dual LCD Display Drawer

RMD-24W-D2/RMD-24WU-D2



This manual, covering various aspects of the equipment such as installation and setup, which will help you make full use of this LCD Drawer. Please read this manual carefully, install and operate the equipment according to the manual to avoid damage.

Product package includes following items:

- 1 * Dual screen LCD drawer;
- 1 * AC Power Cord
- 1 * Rack installation bracket (one pair)
- 1 * USER'S manual (CD)
- 2 * 1.8 Meter VGA cable
- 2 * 1.8 Meter DVI cable
- 1 * 1.8 Meter Audio cable

Please check items above. If any item is missing or damaged, please contact your dealer promptly.

Table of Contents

1	Introduction	-4-
	1.1 Overview	-4-
	1.2 Functions & Features	-4-
	1.3 Hardware Requirement	-4-
	1.3.1 Host Requirement	-4-
	1.3.2 Cables	-4-
	1.4 Product Specifications	-5-
	1.5 LCD Specifications	-5-
	1.6 Front View	-6-
	1.7 Rear View	-7-
2	Installation	-8-
	2.1 Rack Installation	-8-
	2.2 Operation	-9-
	2.3 Standard Installation	-10-
	2.4 LCD OSD Menu Setup	-11-
3	Certificates	-12-

1 Introduction

1.1 Overview

RMD-24W(U)-D2 integrates with 2 x LCD display and in a drawer type worktable and provides a convenient space-saving display mode.

With a graphic card, screen can be cloned or extended to each screen; or can display independently. With screen extended function, people can be multi-tasking in different screens.

1.2 Function & Features

RMD-24W(U)-D2 is 2U height, supported resolution up to 1920 x 1200. It can be installed into 19 inch rack cabinet . No need to install additional software or hardware.

1.3 Hardware Requirement

1.3.1 Hosts Requirement:

- (1) DVI, VGA graphic card

Note: the max. resolution of the integrated LCD display is 1920x1200. Make sure the resolution of any connected computer does not exceed this resolution.

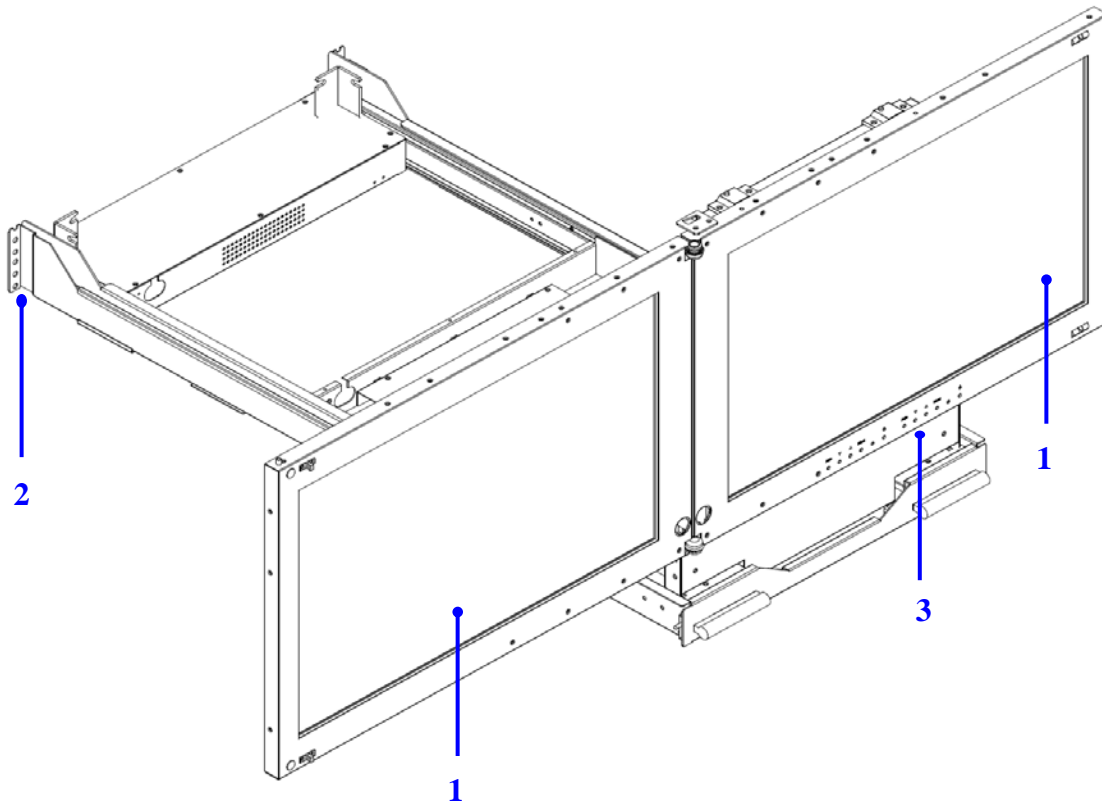
1.3.2 Cables

- (1) 2x DB-15 VGA cable male to male
- (2) 2x DVI-D Cable male to male
- (3) 1x Audio Cable

1.4 Product Specifications

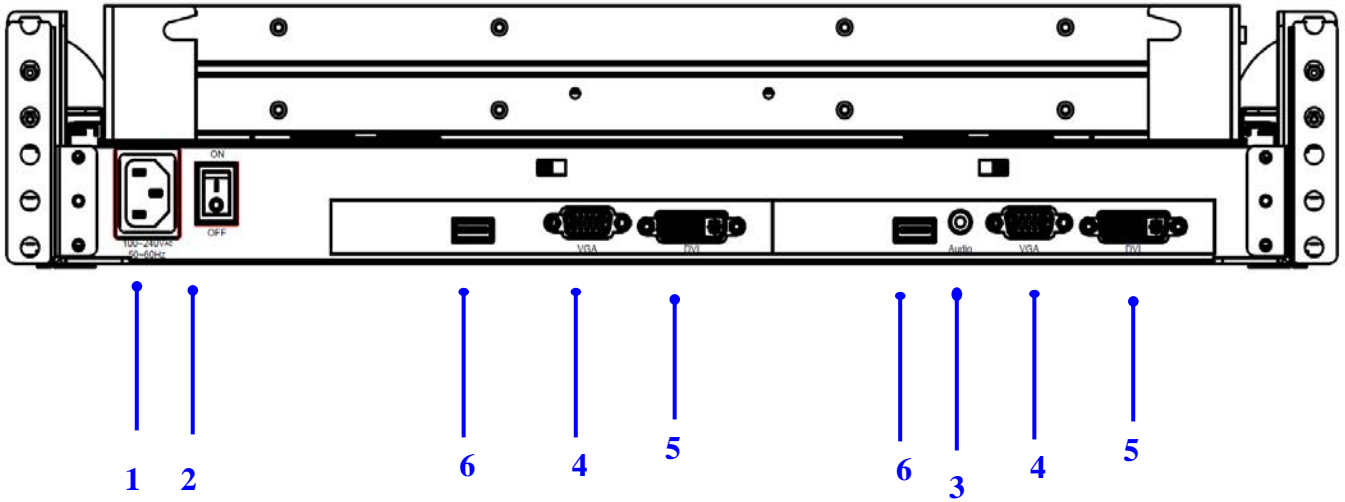
Model	RMD-24W-D2	RMD-24WU-D2
Brightness	250cd/m2	300cd/m2
Contrast	1000:1	1000:1
Angle of visibility	178°(H),178°(V)	178°(H),178°(V)
Color display	16.7M	16.7M
Video resolution	1920 x 1080 (native) support up to 1920 x 1200	1920 x 1200 (native)
Local Control Terminal (Master)	DVI-D	24 pin DVI-D female connector
	VGA	HD-15 female connector
	Audio	3.5mm stereo jack
Local Control Terminal (Slave)	DVI-D	24 pin DVI-D female connector
	VGA	HD-15 female connector
Power supply	100-240V AC 50/60Hz via IEC Type power cord	
Housing	Metal housing	
Weight	28Kg	
Dimension(W x H x D)	443 x 88 x 762 mm	

1.6 Front View



NO	Part	Function Description
1	LCD display	
2	Mounting bracket	Install into rack cabinet
3	LCD OSD button	LCD button to control Screen Display position and image setting.

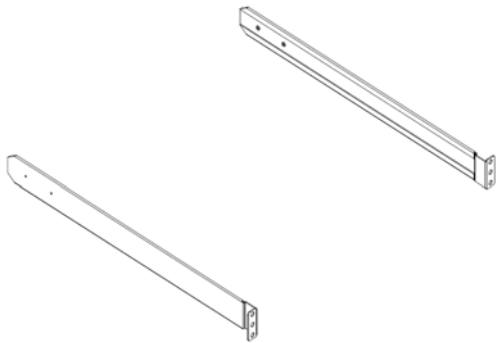
1.7 Rear View



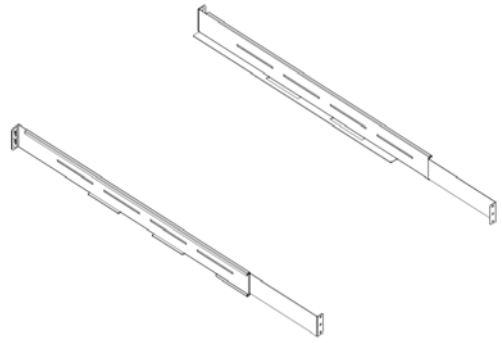
No	Component	Function Description
1	AC Power port	Standard IEC Type AC Inlet
2	Power Switch	Rock switch, turn on/off equipment main power.
3	Audio port	For audio function
4	VGA port	Connect to server or KVM.
5	DVI port	Connect to server or KVM.
6	USB 2.0	for Touch (option).

2 Installation

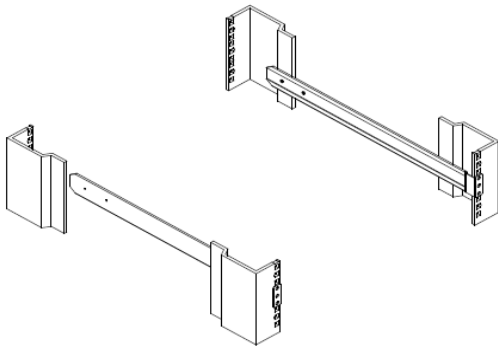
2.1 Rack Installation



Rear mounting bracket (L&R)

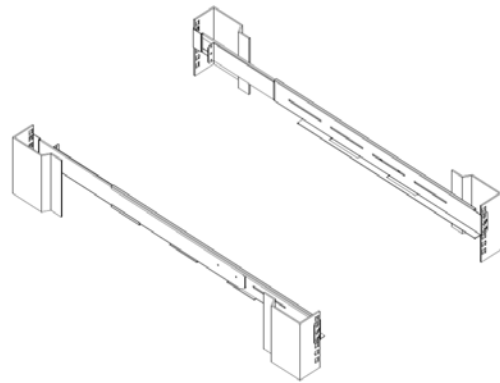


Front mounting bracket (L&R)



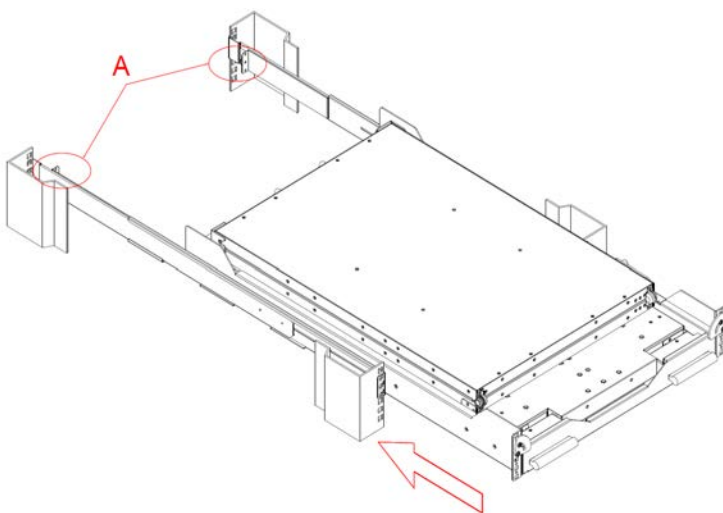
Step 1 Back View

- Rear mounting bracket, screw M6 *4pcs



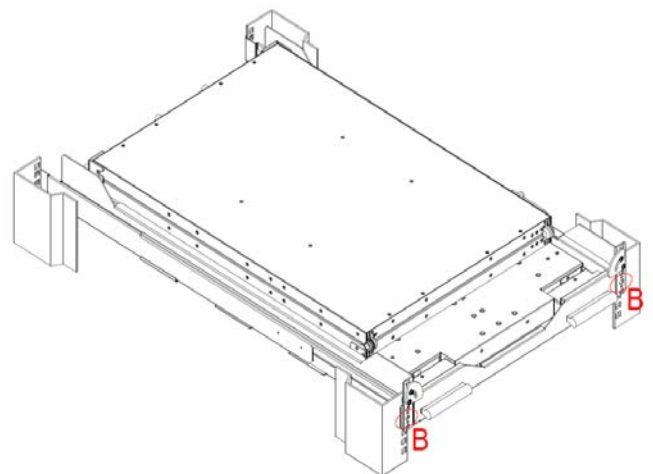
Step 2 Front View

- Insert the left and right front mounting brackets into rear mounting bracket, screw M6 * 4pcs



Step 3 Front View

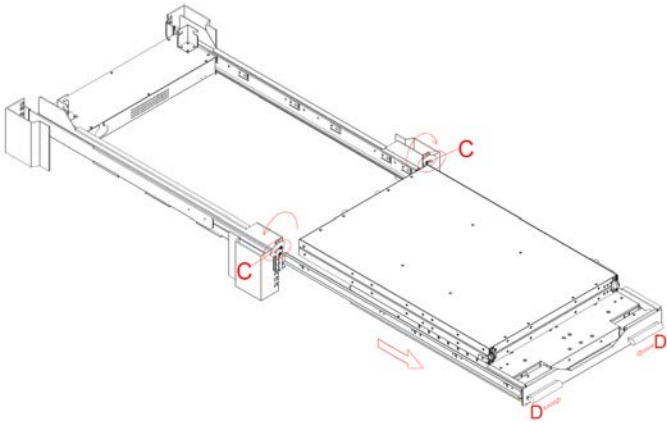
- Slide chassis into mounting bracket
- Screw M4 *4pcs at Point A



Step 4 Front View

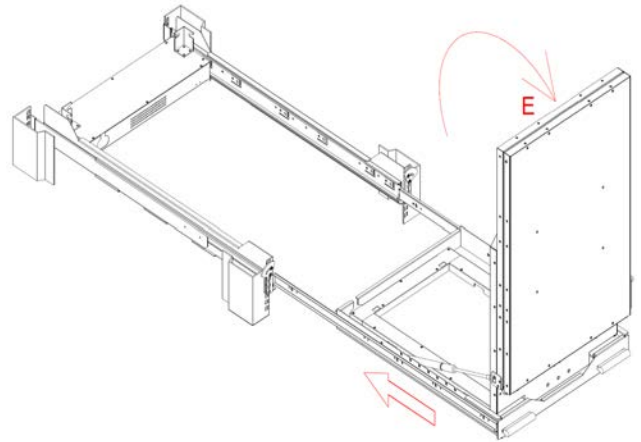
- Screw M4 *2pcs at Point B

2.2 Operation



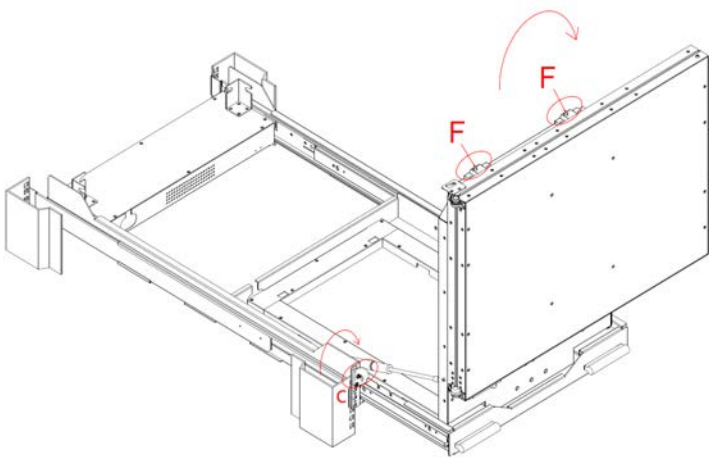
Step 1

- Unlock locker C
- Unlock and hold handle D to slide out LCD panels



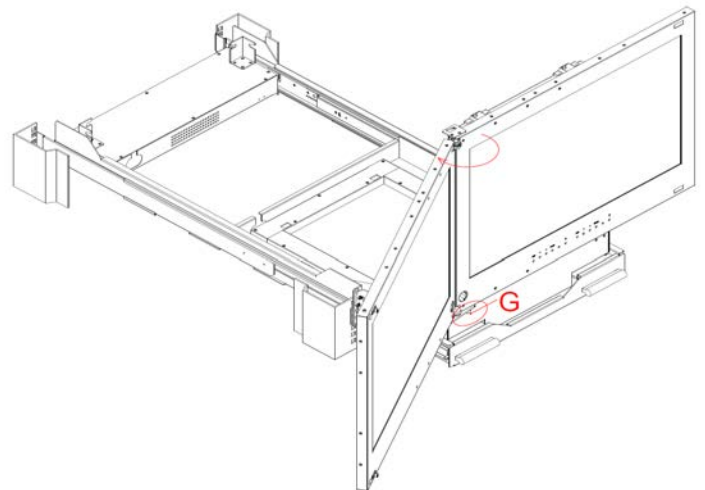
Step 2

- Lift up LCD panels
- Slide in LCD panels to the suitable position



Step 3

- Use locker C to stabilize the rails
- Rotate screens clockwise
Use locker F to stabilize the screens



Step 4

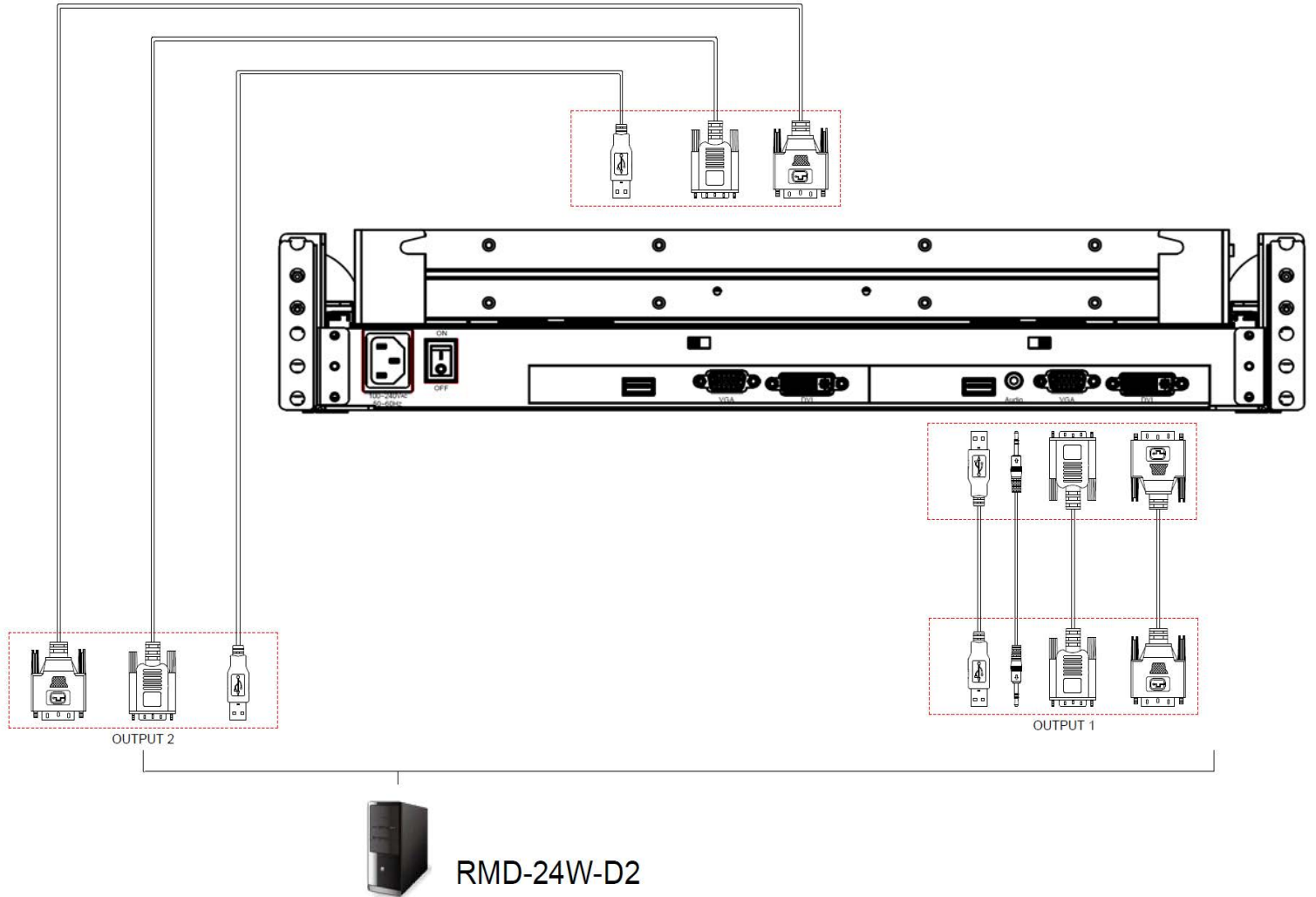
- Open LCD panels to 135~180°
- Use locker G to stabilize the screen opened angle
- After operation, based on step 4 --- 3 --- 2 --- 1 to put away LCD panels

2.2 Standard Installation

Please follow the installation drawing and instructions below for standard installation:

- * Please Shutdown the Power of Equipment Needs to be Connected
- * Please Pay Attention to Earthing of Equipment

The standard installation is completed, and LCD drawer can be powered on. Then power on connected hosts.



2.3 LCD OSD Menu Setup

OSD Control buttons

LCD OSD can establish and setup LCD display. Setup instructions of four buttons are as follows:

Button	Functions
POWER	Turn on or off the LCD Display
MENU	Activate OSD menu, select a menu and press MENU key to confirm the selection and enter the submenu.
▲	Press this key to increase setting or scroll up the menu bar
▼	Press this key to Decrease setting or scroll down the menu bar
AUTO	press the auto key to select video source

OSD Control Operation

Main Menu



3 Certificates

FCC

This product has been tested and is proved to meet requirements of Grade B electronic devices and specifications of Section 15 of FCC certification. Please observe following two conditions in operation that:

- (1) The equipment will not generate any harmful interruption.
- (2) If the equipment is interrupted, it may cause unnecessary operations.

CE

This equipment complies with regulations of EN55022:CLASS B.

RoHS

The whole package including products, packaging materials and documents meet RoHS equipments.