

# Triple Screen LCD Console Drawers (17.3" & dual 10.4")

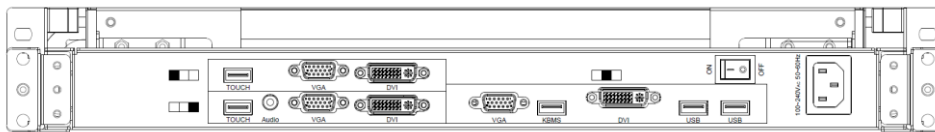
Optimize rack space. Maximize rack monitoring  
DVI-D-USB & VGA-USB, Audio, Hub

## Features

- 2U 1 x 17.3 inch widescreen and 2 x 10.4" Triple LCD Console Drawer
- Triple DVI & VGA Port
- 17.3" with 1920 x 1080 resolution , support FHD with 1080p
- 10.4" with 1024x 768 resolution.
- Front 1xUSB, Rear 2xUSB 2.0 Type A, Sharing USB peripheral Device for computer (ex, flash disk, hard driver, KB/Mouse)
- 104-key keyboard with touch pad mouse.
- USB 2.0 Keyboard & Mouse
- Self-locking and auto release rails for ultra convenience.
- Build in 2x 2 watts speakers

## Options

- Composite Video input
- HDMI or Display Port input
- 3G / HD / SD –SDI Broadcast grade input
- 48V, 24V or 12V DC Power



Rear of KVM-1701W104-T3

Part No.	KVM-1701W104-T3	
No. of ports	1	
KVM Connectors	3 x DVI-D & 3x VGA / 1 x USB for KB & Mouse	
LCD	Size	Slaves – 10.4 inch
	Backlight	LED
	Resolution	1024 x 768
	Max.color	16.2M
	Luminance	350 cd/m2
	View Angel (H/V)	176 / 176
	Contrast Ratio	1000 : 1
Port Selection	N/A	
USB HUB	Yes , Front x1 & Rear x 2 USB 2.0 Type A for USB Peripheral Device	
Audio	1 x 3.5mm Audio jack	
KB/Mouse Emulation	USB 2.0	
Rack Depth ( rack cabinet front rails to rear rails )	600mm to 1100mm	
Power	100-240V AC 50/60Hz via IEC Type power cord	
Environment	Operation temp: 0 to 50°C Storage temp: -20 to 60°C Humidity: 10% - 90%, non-condensing Shock: 10G acceleration ( 11ms duration) Vibration: 17 to 500Hz 1G PTP	
Physical Dimensions ( W x H x D ) / Net Weights ( KGs )	443x64x 450mm /	
Packing Dimensions ( W x H x D ) / Gross weights ( KGs )	735x235x590mm /	
<b>Accessory</b>		
KVM-1701W104-T3	1.8meter IEC Type Power Cord x1 , 1.8meter DVI Cable x3 , 1.8meter VGA Cable x3 , 1.8meter USB Cable x1 ,1.8meter Audio Cable x1	



1 2 3 4 5 6 7 8

A

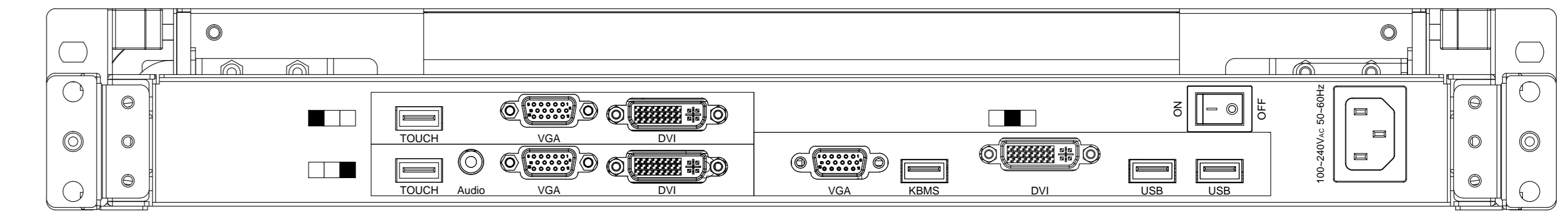
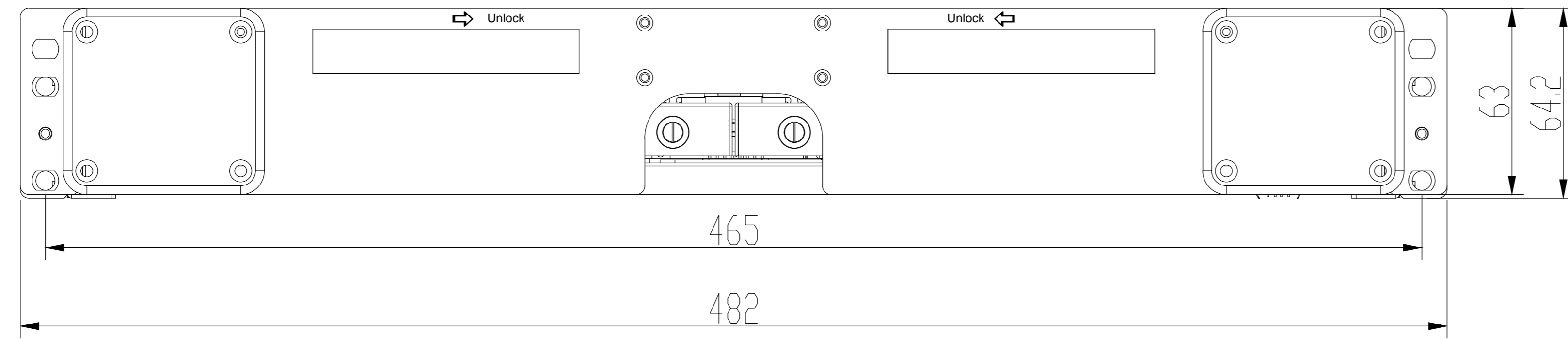
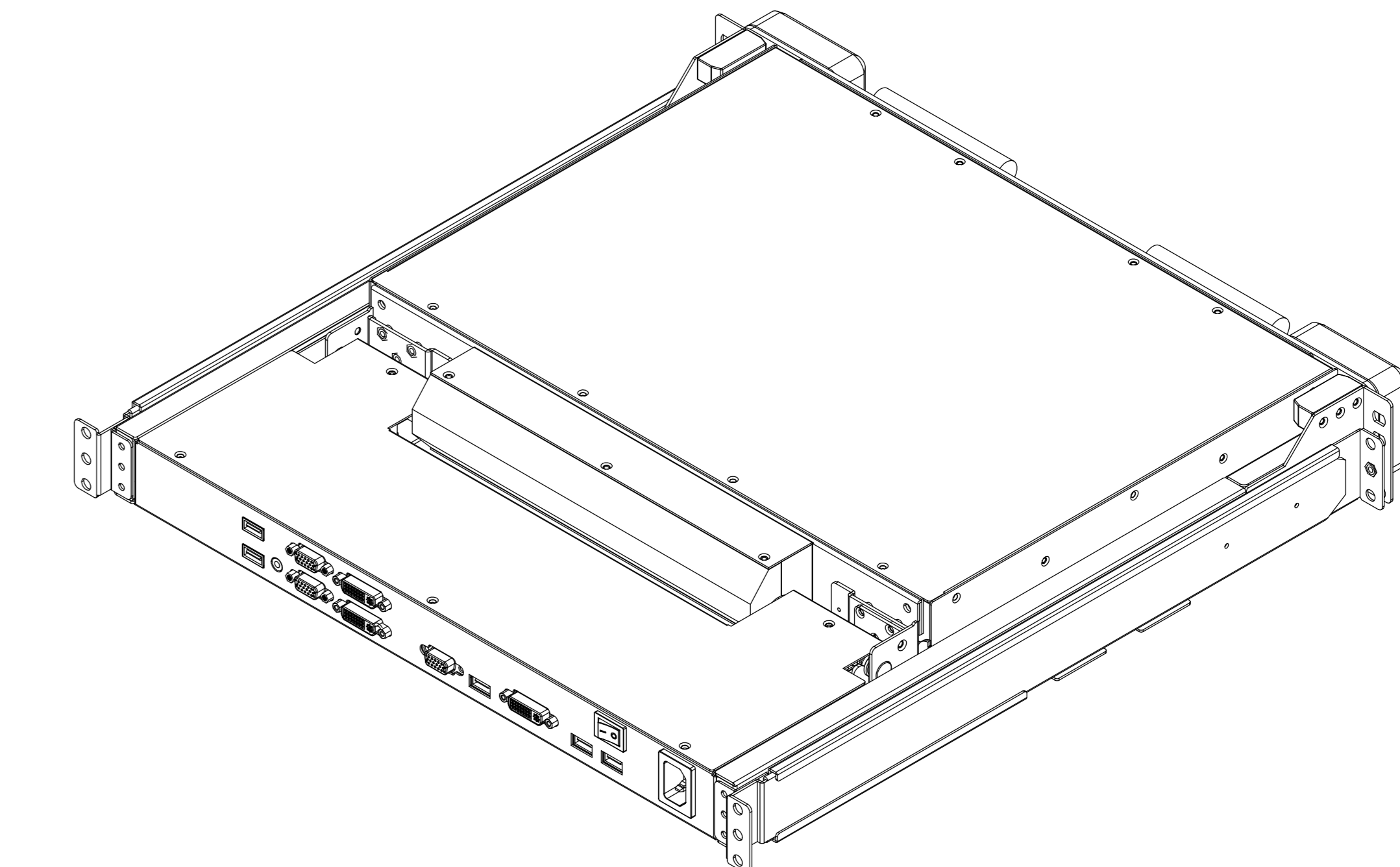
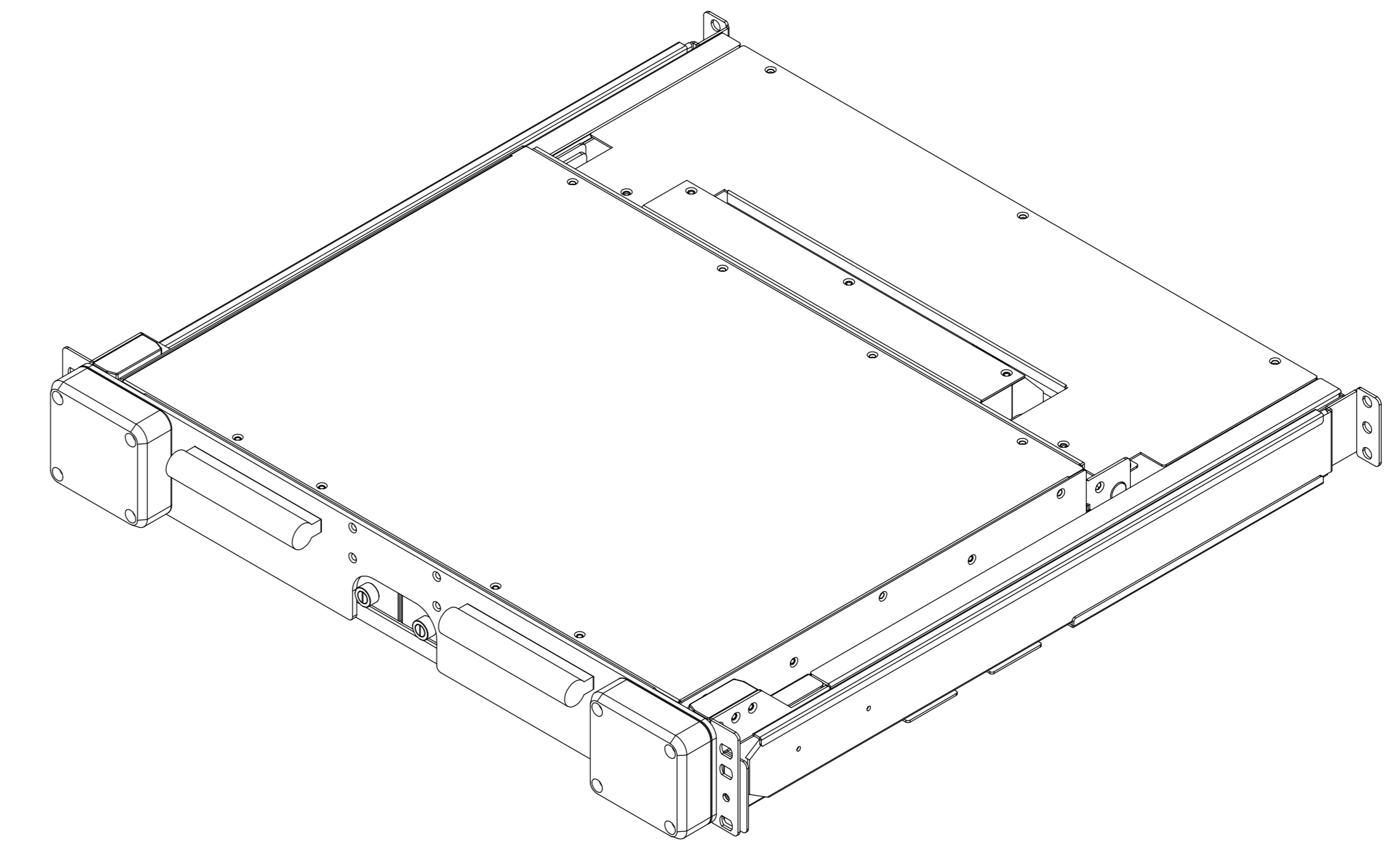
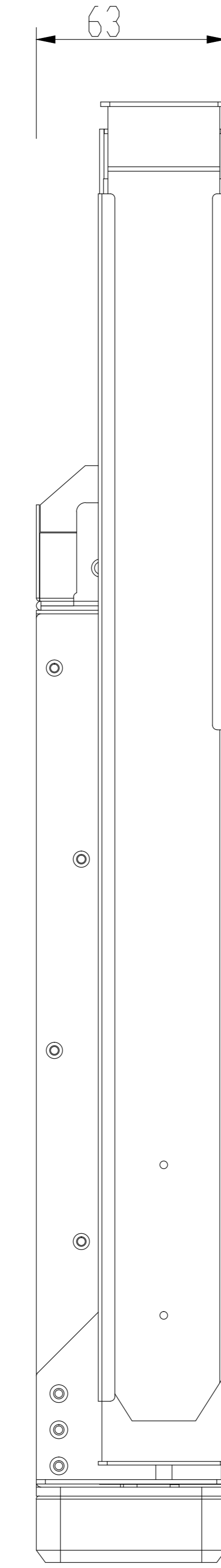
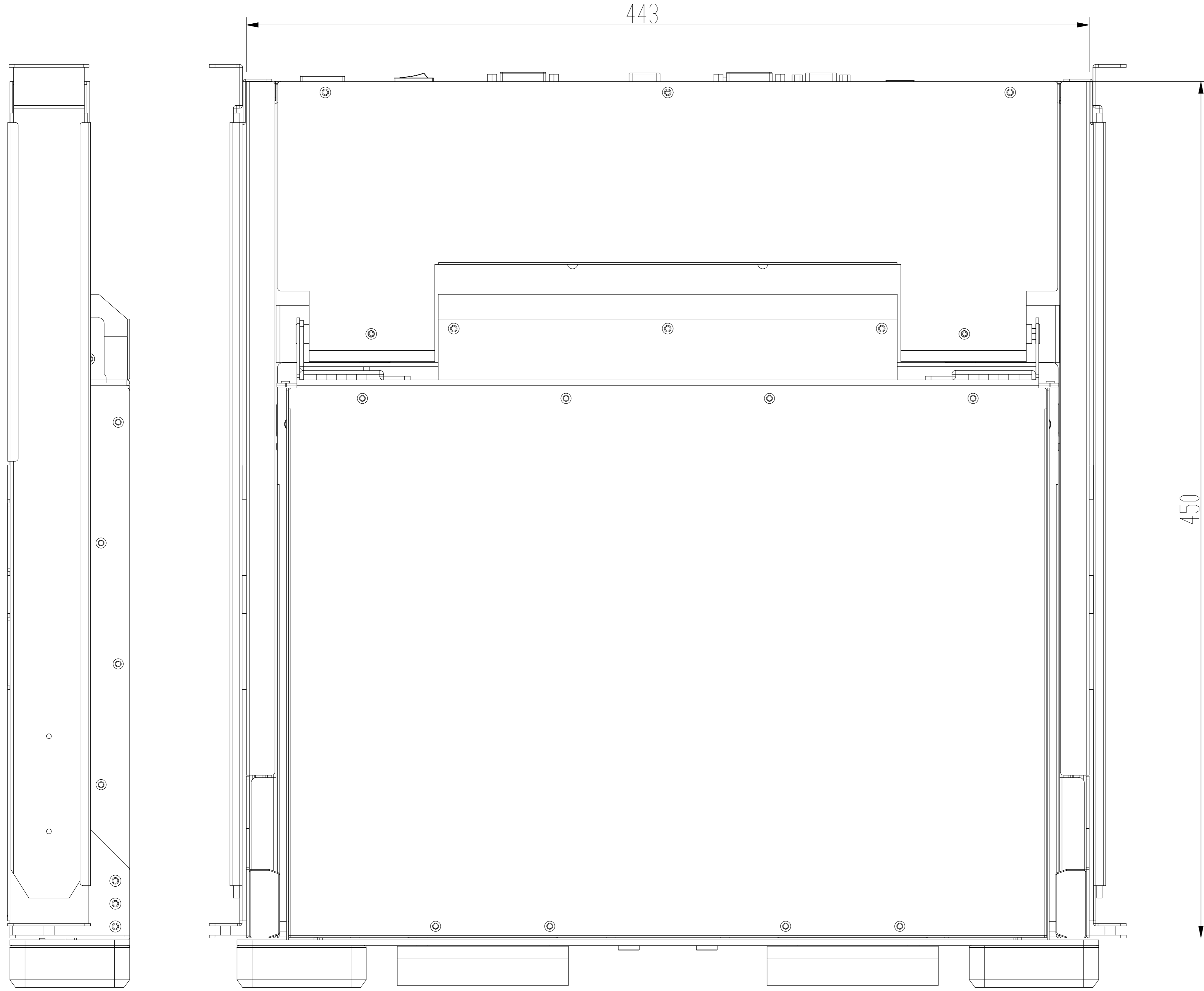
B

C

D

E

F



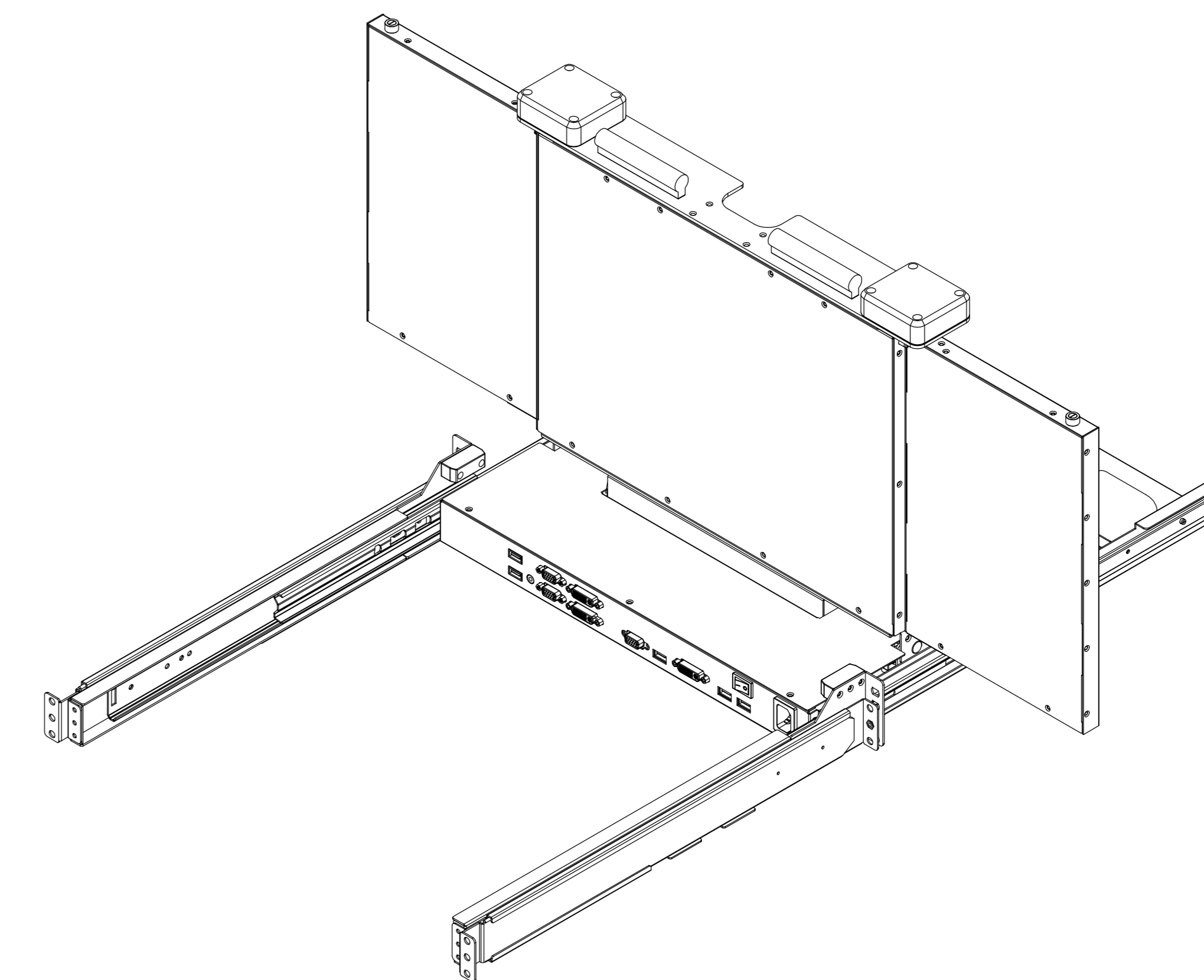
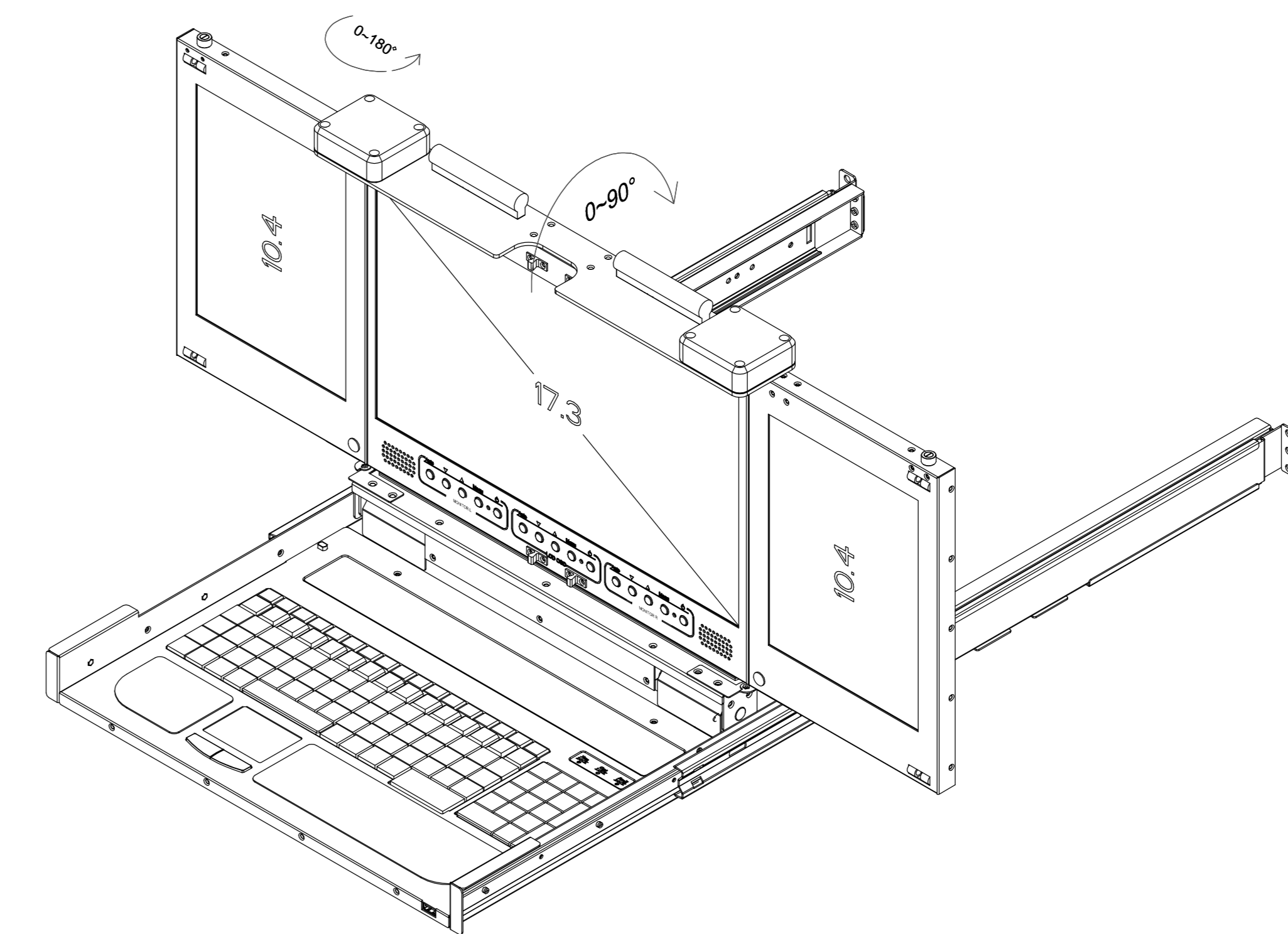
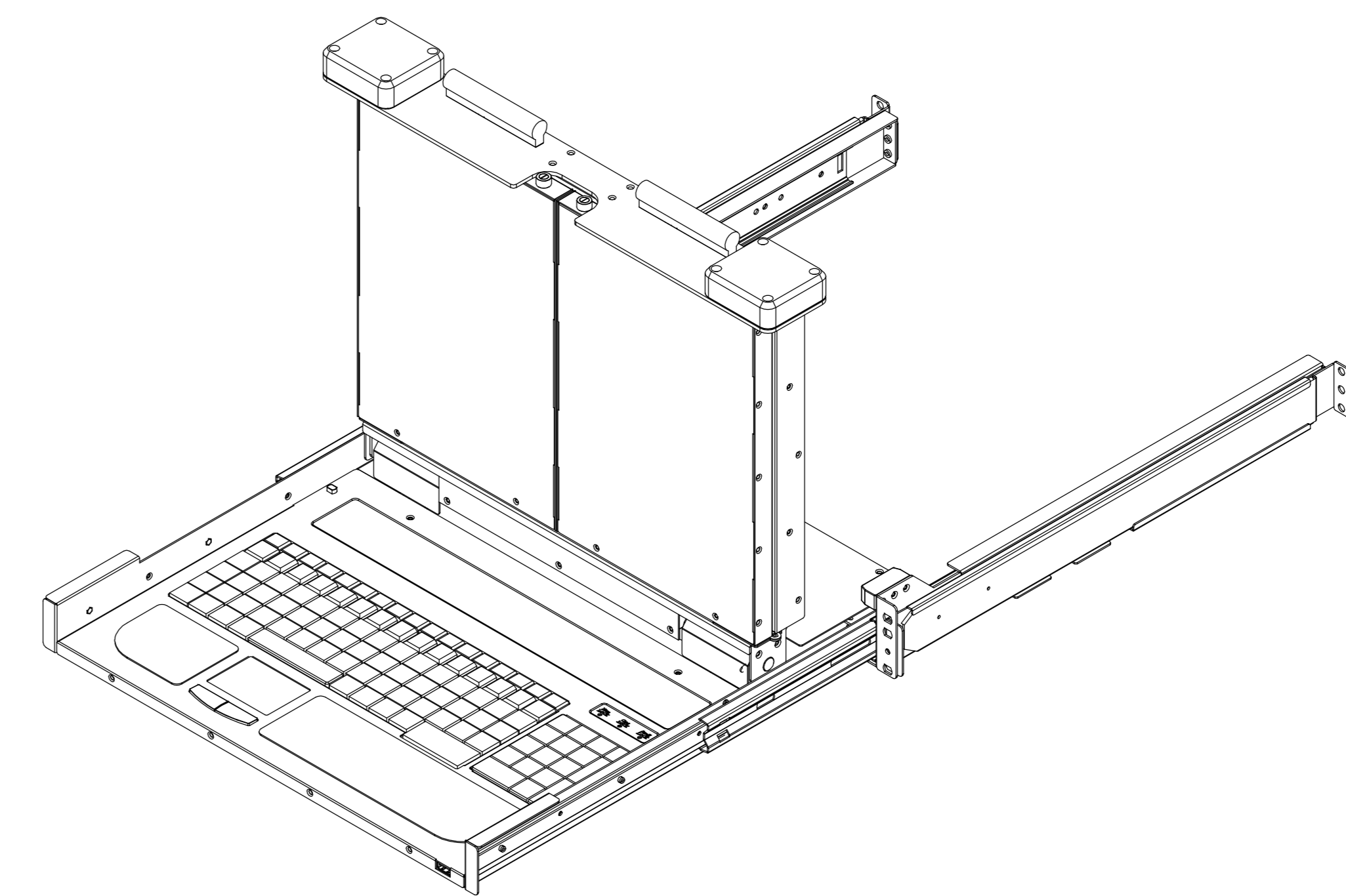
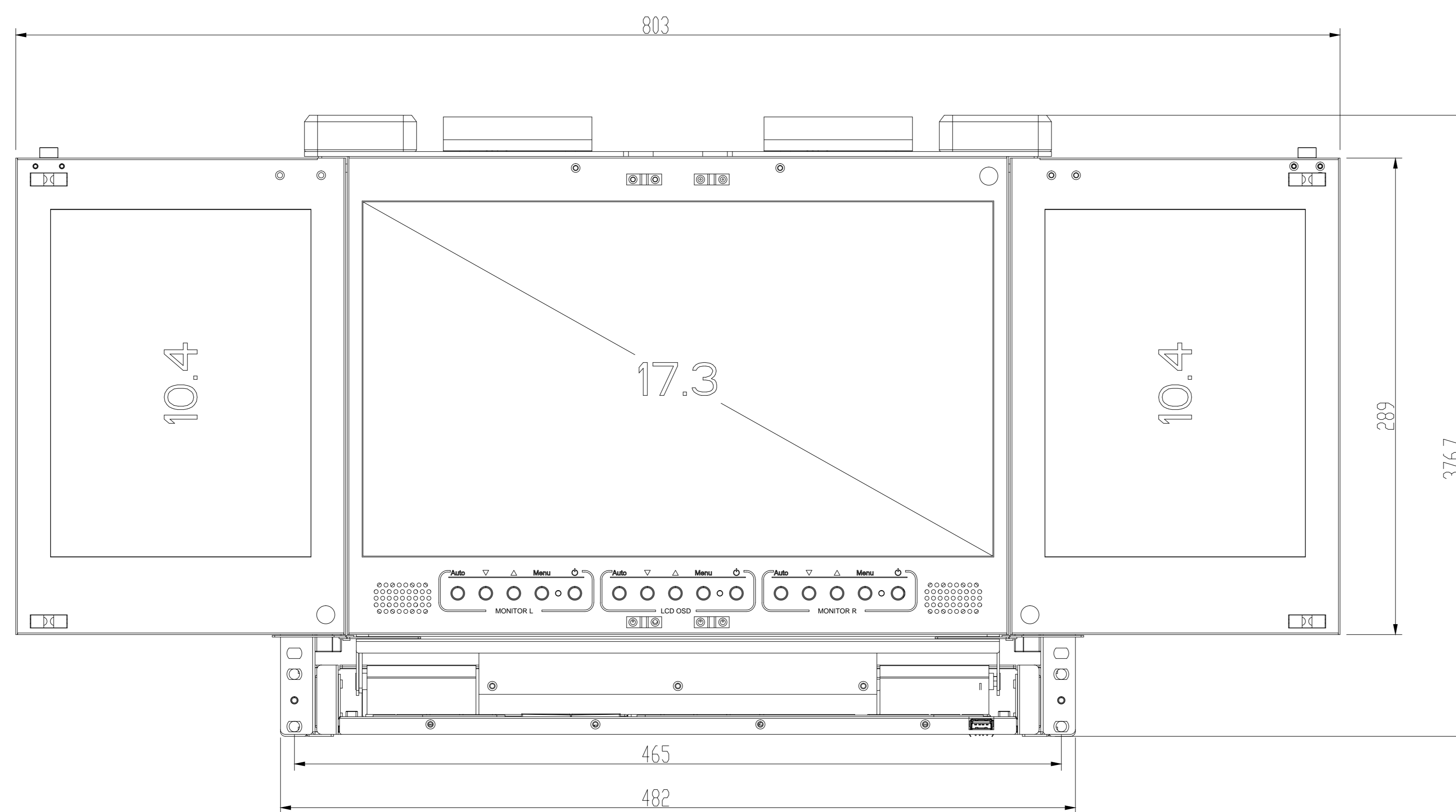
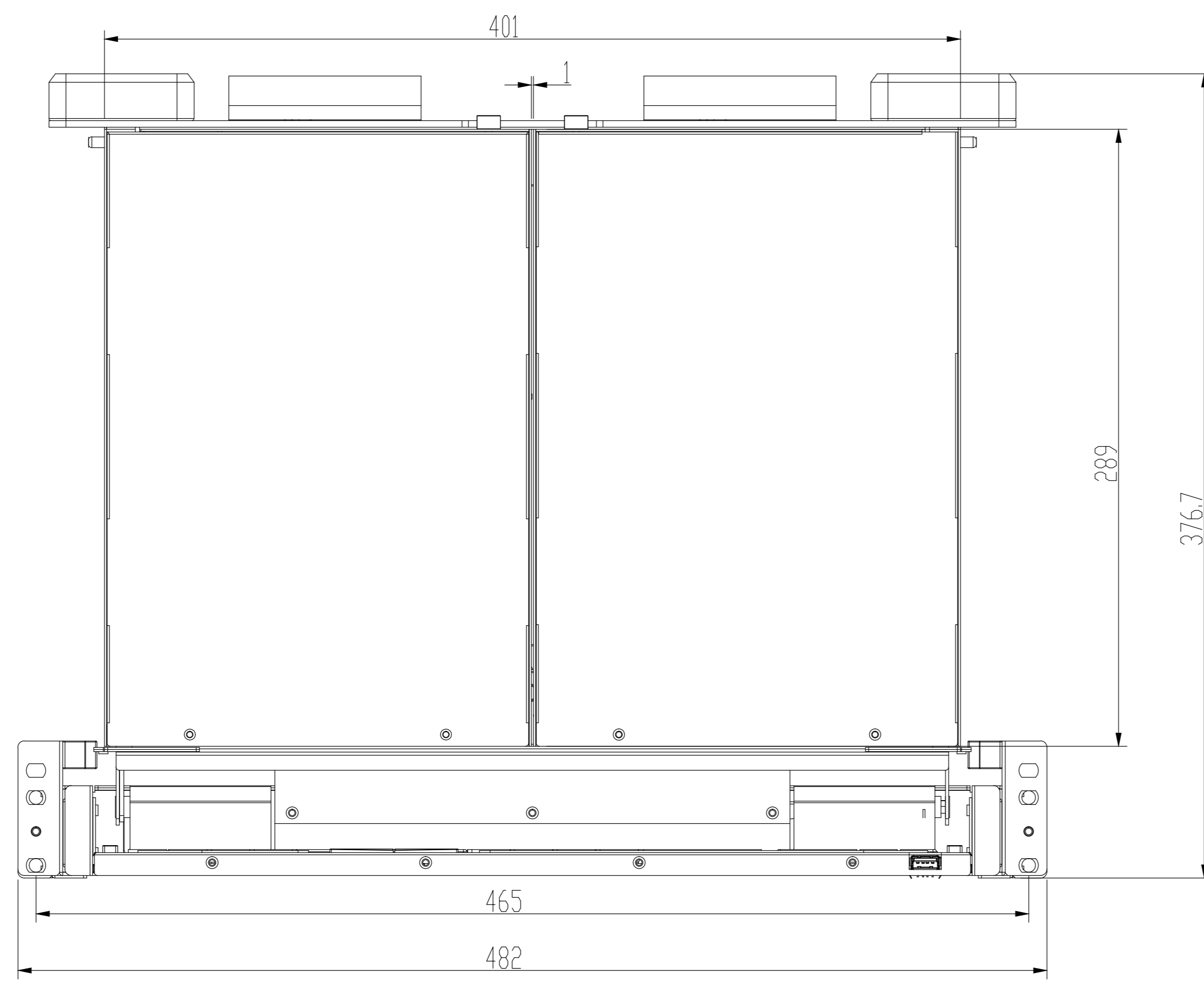
注意：  
 1. 所有工件必须倒毛刺 去接刀痕。  
 2. 所有线性尺寸按GB1804-M级。  
 3. Finish: Coating (Spec. See Sample)

毛边朝 1、绿色面 2、白色面

TOL	< 30	: ±0.1
	30 < 120	: ±0.15
	120 < 315	: ±0.2
	315 <	: ±0.3
	ANGLE TOL	: ±0.5°

UNIT : mm	FINISHING	PART NO.	Ver.	A0
3RD ANGLE'S	MATERIAL	SGCC T=1.0mm	MOLD NO.	KVM-17W104-T3 Qty 1
APPROVED	CHECKED	TITLE KVM-17W104-T3		
DESIGNED	LCH 2018-12-1	DRAWING NO.	KVM-17WT3.DWG	
DRAWN		SIZE	A3	SCALE 0.2 SHEET: 1 OF 1

△			
△			
△			
MARK	DESCRIPTION	SING	DATE
	1		2

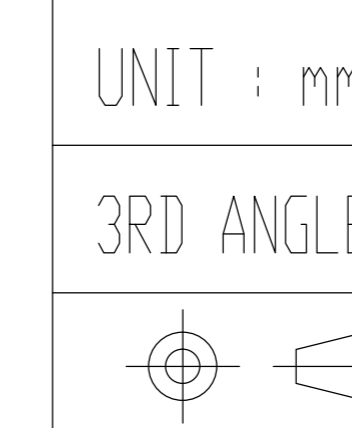


注意:

1. 所有工件必须倒毛刺 去接刀痕。
2. 所有线性尺寸按GB1804-M级。
3. Finish: Coating (Spec. See Sample)

毛边朝 1、绿色面 2、白色面

TOL	< 30	: ±0.1
	< 120	: ±0.15
	< 315	: ±0.2
	< 315	: ±0.3
	ANGLE TOL	: ±0.5°



UNIT : mm	FINISHING	PART NO.	Ver.	A0
3RD ANGLE'S	MATERIAL	MOLD NO.	Q'ty	1
APPROVED	SGCC T=1.0mm	TITLE KVM-17W104-T3-OPEN		
CHECKED		DRAWING NO. KVM-17WT3.DWG		
DESIGNED	LCH 2018-12-1	SIZE	A3	SHEET: 1 OF 1
DRAWN	2018-12-1	SCALE	0.2	

△			
△			
△			
MARK	DESCRIPTION	SING	DATE
	1		2