

# B1410



**IMPERX:** Technically superior products, full tech support, rapid-response customer care. "Bobcat 2.0" adds many new features, lens control, more memory and enhanced image quality. Each easy to use Bobcat is supported by IMPERX professionals.

**INTERFACES AVAILABLE:**

Resolution  
Sensor  
Sensor Format

Pixel Size  
Frame Rate Standard Clock  
Frame Rate Overclocked  
Maximum Frame Rate  
Minimum S/N Ratio  
Output Format

Analog Gain Control  
Black Level Control  
Digital Gain and Offset  
RGB Gain and Offset  
White Balance  
Shutter Speed  
Exposure Control  
Long Integration  
Regions of Interest (ROI)  
Binning H/V  
Trigger Inputs

Trigger Options

Trigger Modes

Double Trigger (PIV) Interframe

External Inputs/Outputs

Strobe Output

RS232 Interface

Pulse Generator

Image Overlay

Image Enhancement

Internal DDR Memory

On Board FIFO (GEV & PoE)

Gamma Correction

Data Corrections

Minimum Illumination

Lens Mount

Video Iris Control

Iris, Zoom Focus Control

Supply Input Range

Power Consumption

Size – Width/Height

Size – Length

Weight

Vibration, Shock

Environmental

Humidity

MTBF

Regulatory

Camera Link® Base (PoCL), GigE Vision, PoE, CoaXPress

1360 x 1024 (std.), 1392 x 1040 (max.)

ICX-285 EXview HAD CCD

8.98 mm (H) x 6.71mm (V) 11mm diagonal,  
2/3" optical format

6.45 µm

40 MHz / 23 fps

54 MHz / 30 fps

187 fps

60dB

Mono CCD: 8, 10, 12, 14-bit (Single only)

Color CCD: 8, 10, 12, RGB 24

Manual, Auto: 0 - 36dB 1024 steps

Manual, 1024 steps

Manual

Manual

Manual, auto, off

1µs/step, 1/250,000 to 1/23 sec (nom)

Manual, auto, external

Up to 16 seconds

7 ROIs, any line to any line, any pixel to any pixel

1x, 2x, 3x, 4x, 8x (Independent for H & V)

External (TTL via IN1/IN2), pulse generator,  
software, computer

Level, edge, pulse width, internal exposure,

up to 16 seconds trigger delay, debounce

Free-run, standard, double, fast, asynchronous,

frame accumulation

Time: 200 nanoseconds

2 IN, 2 OUT, user programmable

2 strobes, programmable position and duration

Yes, programmable

Yes, programmable

Optical center, programmable H & V lines

Threshold, contrast enhancement, knee correction,  
horizontal flip, negative image, bit shift (+/- 7 places)

2Gb (256 MB)

1Gb (128 MB)

G=1.0, G=0.45, user upgradeable LUT

Defective/hot pixel correction (static, dynamic),

black level, vertical smear

0.5 Lux, F/1.4

C-Mount

Auto, programmable

Manual, user programmable

12VDC (10V - 15V), 1.5 A inrush

CLB 2.8 W, GEV 4.3W, PoE 5.3W, CXP TBD

46mm (W) x 46mm (H) – Applies to all interfaces

CLB 46.8mm (L), GEV 64.7mm (L), PoE 78.3mm (L),

CXP 54.5mm (L)

CLB 162g, GEV 200g, PoE 304g, CXP 192g

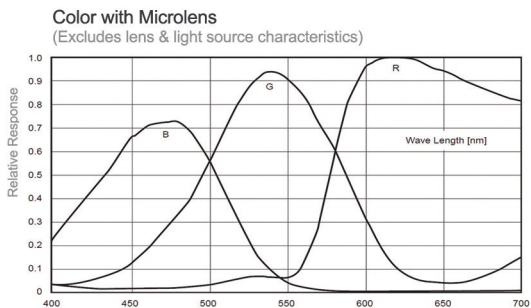
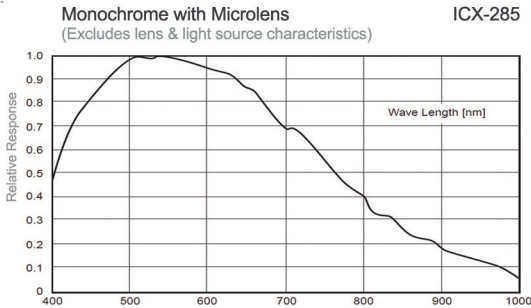
100g (20-200) HZ XYZ, 1000g

-40C to +85C Operating, -50C to +90C Storage

10% to 90% non-condensing

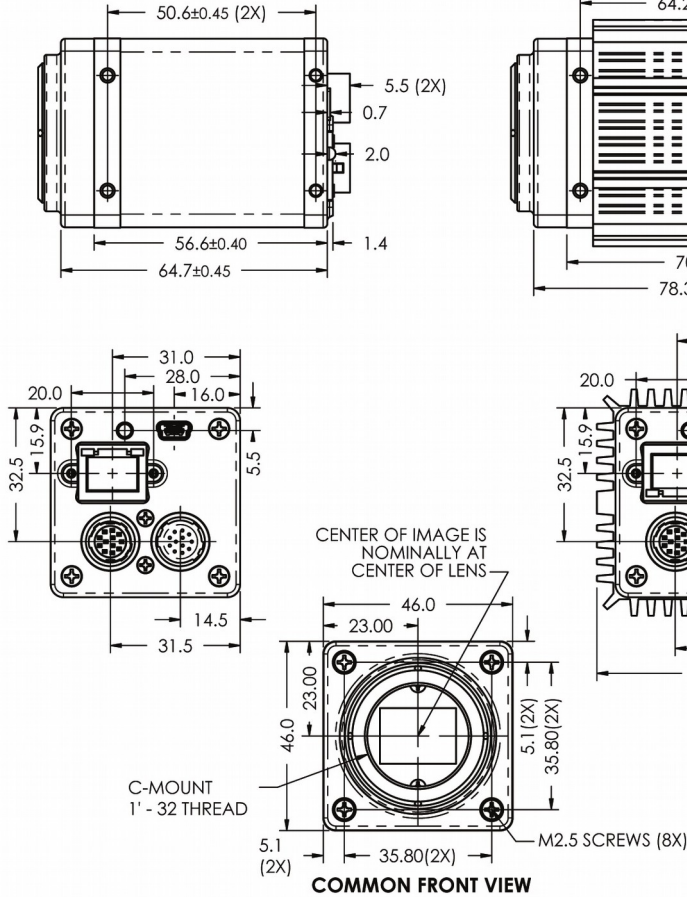
>660,000 hours @ 40°C (Telcordia SR-332)

FCC 15 part A, CE, RoHS

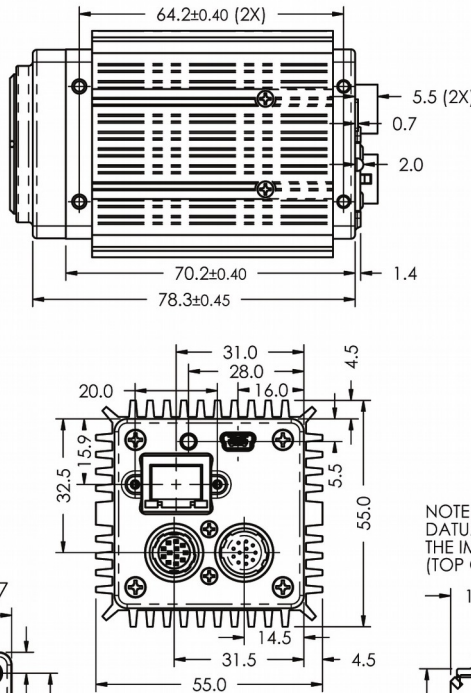


# BOBCAT 2.0 B1410 Specifications

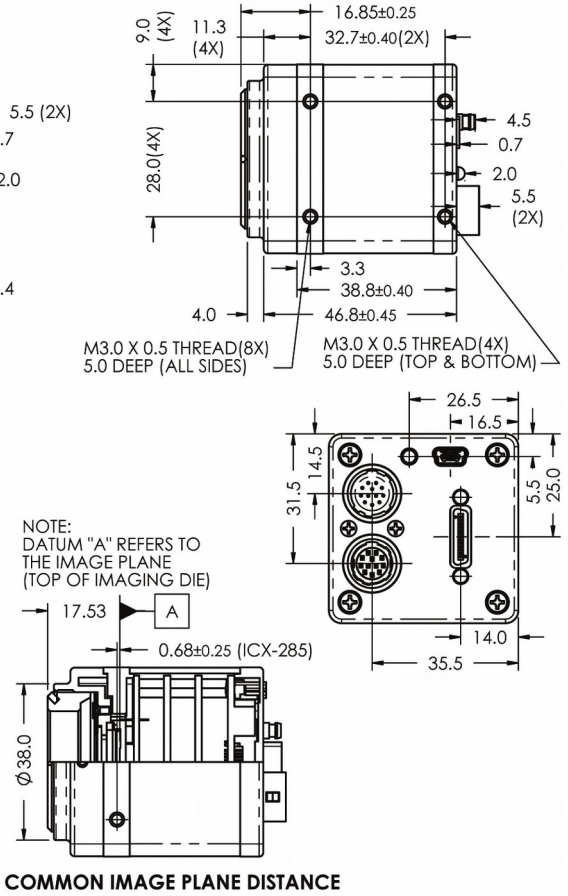
## GigE Vision(Without PoE)



## GigE Vision(With PoE)



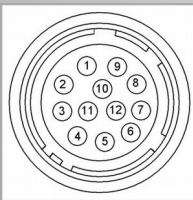
## Camera Link



COMMON IMAGE PLANE DISTANCE

### Hirose Connectors

#### Power and I/O Interface



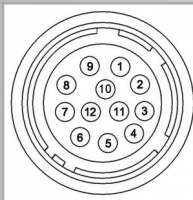
- |                   |                 |
|-------------------|-----------------|
| 1 12V DC Return * | 7 OUT1 Signal   |
| 2 +12V DC*        | 8 IN1 Signal    |
| 3 IRIS VCC        | 9 IN2 Signal    |
| 4 IRIS Video      | 10 IN1/2 Return |
| 5 IRIS Return     | 11 Reserved     |
| 6 OUT1/2 Return   | 12 OUT2 Signal  |

Connector: Hirose HR 10A- 10R- 12PB(71)

\*Not connected for CXP

#### Lens Control/RS232

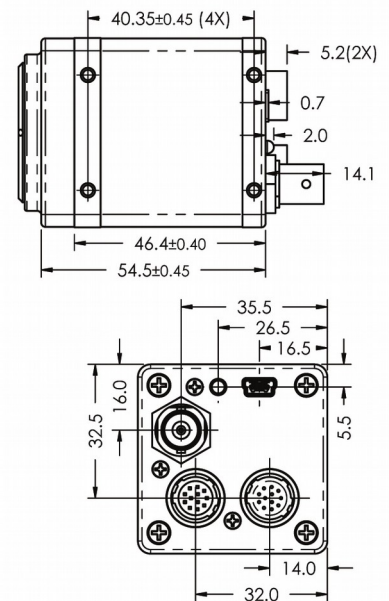
See manual for PIN information



- |               |             |
|---------------|-------------|
| 1 IRIS Return | 7 FOCUS +   |
| 2 IRIS VCC    | 8 ZOOM -    |
| 3 IRIS Video  | 9 ZOOM +    |
| 4 IRIS -      | 10 UART_COM |
| 5 IRIS +      | 11 UART_RX  |
| 6 FOCUS -     | 12 UART_TX  |

Connector: Hirose HR 10A- 10R- 12SB(71)

## CoaXPress



## B1410 Ordering Information

### Interfaces available

- Camera Link® Base (CLB)
- GigE Vision (GEV / PoE)
- CoaXPress (CXP)

### Sensor types available

- Monochrome
- Bayer Color

### Accessories (Sold separately)

- PS12V04-Power Supply w/ 1 input and 1 output
- PS12V05-Power Supply (as above) and Video Iris

**IMPERX**

WWW.SACASA.INFO

**BCI** CoaXPress **GIGEVISION** **POE**

bobcat-B1410.Rev1

