



# B2720



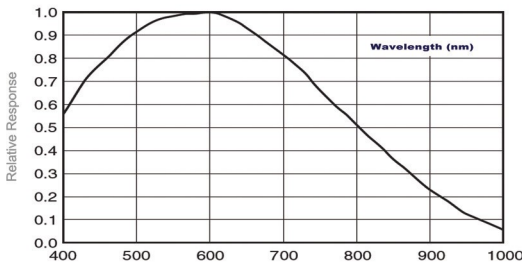
**IMPERX:** Technically superior products, full tech support, rapid-response customer care. "Bobcat 2.0" adds many new features, lens control, more memory and enhanced image quality. Each easy to use Bobcat is supported by IMPERX professionals.

**INTERFACES AVAILABLE:**

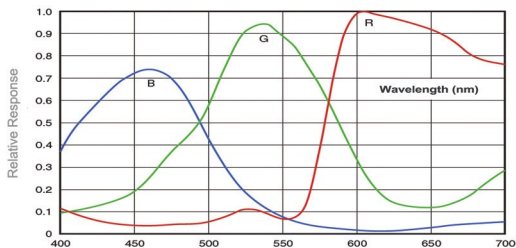
- Resolution
- Sensor
- Sensor Format
- Pixel Size
- Frame Rate Standard Clock
- Frame Rate Overclocked
- Maximum Frame Rate
- Minimum S/N Ratio
- Output Format
- Analog Gain Control
- Black Level Control
- Digital Gain and Offset
- RGB Gain and Offset
- White Balance
- Shutter Speed
- Exposure Control
- Long Integration
- Regions of Interest (ROI)
- Binning H/V
- Trigger Inputs
- Trigger Options
- Trigger Modes
- Double Trigger (PIV) Interframe
- External Inputs/Outputs
- Strobe Output
- RS232 Interface
- Pulse Generator
- Image Overlay
- Image Enhancement
- Internal DDR Memory
- On Board FIFO (GEV & PoE)
- Gamma Correction
- Data Corrections
- Minimum Illumination
- Lens Mount
- Video Iris Control
- Iris, Zoom Focus Control
- Supply Input Range
- Power Consumption
- Size – Width/Height
- Size – Length
- Weight
- Vibration, Shock
- Environmental
- Humidity
- MTBF
- Regulatory

- Camera Link® Base (PoCL), GigE Vision, PoE, CoaXPress
- 2750 x 2200 (std.), 2756 x 2208 (max.)
- ICX-694 EXview HAD CCD
- 12.48mm (H) x 9.98mm (V) 15.99mm diagonal
- 1.0" optical format
- 4.54 µm
- 40 MHz / 10.2 fps
- 50 MHz / 12.7 fps
- 58 fps
- 60dB
- Mono CCD: 8, 10, 12, 14-bit (Single only)
- Color CCD: 8, 10, 12
- Manual, Auto: 0 - 36dB 1024 steps
- Manual, 1024 steps
- Manual
- Manual, auto, off
- 1us/step, 1/500,000 to 1/32 sec (nom)
- Manual, auto, external
- Up to 16 seconds
- 7 ROIs, any line to any line, any pixel to any pixel
- 1x, 2x, 3x, 4x, 8x (Independent for H & V)
- External (TTL via IN1/IN2), pulse generator, software, computer
- Level, edge, pulse width, internal exposure, up to 16 seconds trigger delay, debounce
- Free-run, standard, double, fast, asynchronous, frame accumulation
- Time: 200 nanoseconds
- 2 IN, 2 OUT, user programmable
- 2 strobes, programmable position and duration
- Yes, programmable
- Yes, programmable
- Optical center, programmable H & V lines
- Threshold, contrast enhancement, knee correction, horizontal flip, negative image, bit shift (+/- 7 places)
- 2Gb (256 MB)
- 1Gb (128 MB)
- G=1.0, G=0.45, user upgradeable LUT
- Defective/hot pixel correction (static, dynamic), FFC, black level, vertical smear
- 0.5 Lux, F/1.4
- C-Mount
- Auto, programmable
- Manual, user programmable
- 12VDC (10V - 15V), 1.5 A inrush
- CLB 3.3 W, GEV 5.0W, PoE 6.1W, CXP TBD
- 46mm (W) x 46mm (H) – Applies to all interfaces
- CLB 59.6mm (L), GEV 77.5mm (L), PoE 91.1mm (L), CXP 67.2mm (L)
- CLB 201g, GEV 236g, PoE 349g, CXP 229g
- 100g (20-200) HZ XYZ, 1000g
- 40°C to +85°C Operating, -50°C to +90°C Storage
- 10% to 90% non-condensing
- >660,000 hours @ 40°C (Telcordia SR-332)
- FCC 15 part A, CE, RoHS

Monochrome with Microlens (Excludes lens & light source characteristics) ICX-694

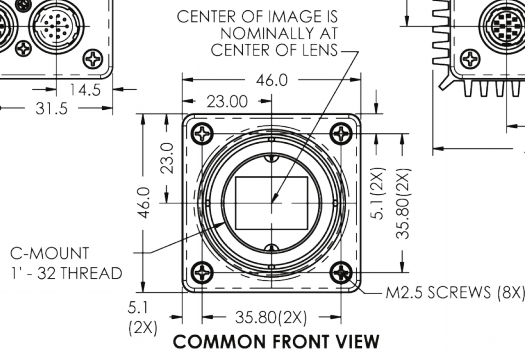
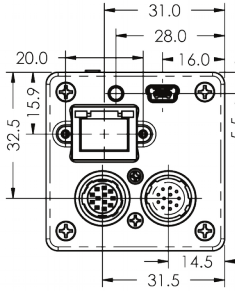
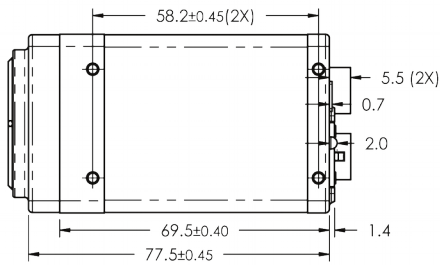


Color with Microlens (Excludes lens & light source characteristics)

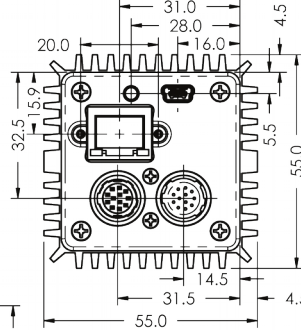
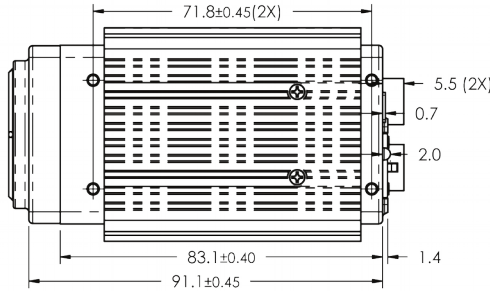


# BOBCAT 2.0 B2720 Specifications

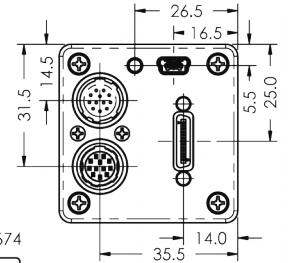
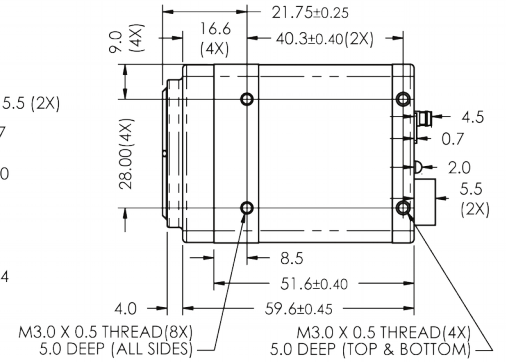
## GigE Vision(Without PoE)



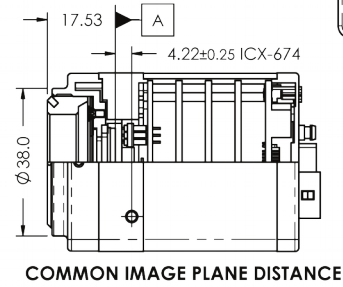
## GigE Vision(With PoE)



## Camera Link

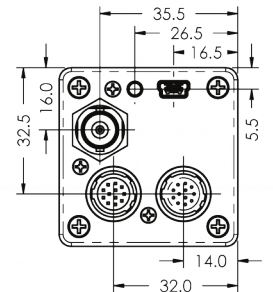
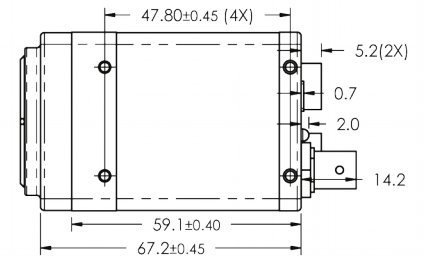


NOTE:  
DATUM "A" REFERS TO  
THE IMAGE PLANE  
(TOP OF IMAGING DIE)



COMMON IMAGE PLANE DISTANCE

## CoaXPress



### Hirose Connectors

#### Power and I/O Interface



- |                   |                 |
|-------------------|-----------------|
| 1 12V DC Return * | 7 OUT1 Signal   |
| 2 +12V DC*        | 8 IN1 Signal    |
| 3 IRIS VCC        | 9 IN2 Signal    |
| 4 IRIS Video      | 10 IN1/2 Return |
| 5 IRIS Return     | 11 Reserved     |
| 6 OUT1/2 Return   | 12 OUT2 Signal  |

\*Not connected for CXP  
Connector: Hirose HR 10A- 10R- 12PB(71)

#### Lens Control/RS232

See manual for PIN information



- |               |             |
|---------------|-------------|
| 1 IRIS Return | 7 FOCUS +   |
| 2 IRIS VCC    | 8 ZOOM -    |
| 3 IRIS Video  | 9 ZOOM +    |
| 4 IRIS -      | 10 UART_COM |
| 5 IRIS +      | 11 UART_RX  |
| 6 FOCUS -     | 12 UART_TX  |

Connector: Hirose HR 10A- 10R- 12SB(71)

### B2720 Ordering Information

#### Interfaces available

- Camera Link® Base (CLB)
- GigE Vision (GEV / PoE)
- CoaXPress (CXP)

#### Sensor types available

- Monochrome
- Bayer Color

#### Accessories (Sold separately)

- PS12v04-Power Supply w/ 1 input and 1 output
- PS12v05-Power Supply (as above) and Video Iris



WWW.SACASA.INFO

Quality Management System ISO 9001:2008 Registered  
Environmental Management System ISO 14001:2004 Registered  
DDTC Registered (Directorate of Defense Trade Controls, US Department of State)

