

# B3440



**IMPERX:** Technically superior products, full tech support, rapid-response customer care. "Bobcat 2.0" adds many new features, lens control, more memory and enhanced image quality. Each easy to use Bobcat is supported by IMPERX professionals.

**INTERFACES AVAILABLE:**

Resolution  
Sensor  
Sensor Format

Pixel Size  
Frame Rate Standard Clock  
Frame Rate Overclocked  
Maximum Frame Rate  
Minimum S/N Ratio  
Output Format

Analog Gain Control  
Black Level Control  
Digital Gain and Offset  
RGB Gain and Offset  
White Balance  
Shutter Speed  
Exposure Control  
Long Integration  
Regions of Interest (ROI)  
Binning H/V  
Trigger Inputs

Trigger Options

Trigger Modes

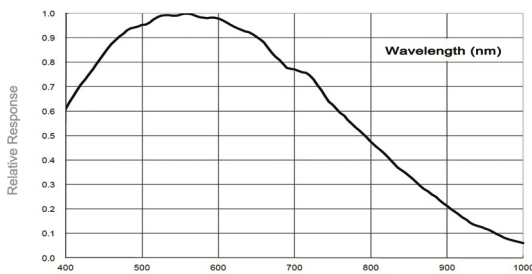
Double Trigger (PIV) Interframe  
External Inputs/Outputs  
Strobe Output  
RS232 Interface  
Pulse Generator  
Image Overlay  
Image Enhancement

Internal DDR Memory  
Gamma Correction  
Data Corrections

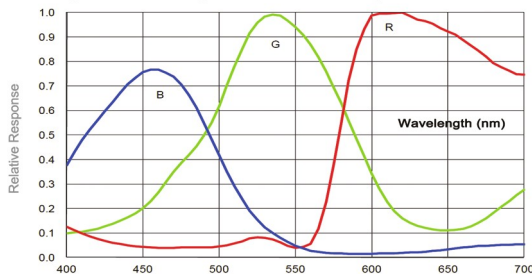
Minimum Illumination  
Lens Mount  
Video Iris Control  
Iris, Zoom Focus Control  
Supply Input Range  
Power Consumption  
Size – Width/Height  
Size – Length  
Weight  
Vibration, Shock  
Environmental  
Humidity  
MTBF  
Regulatory

Camera Link® Base or Medium  
3388 X 2712  
ICX-814 EXview HAD CCD II  
12.50mm (H) x 10.00 mm (V) 15.97mm diagonal  
1.0" optical format  
3.69 µm  
40 MHz / 13.7 fps  
50 MHz / 17.1 fps  
68 fps  
60dB  
Mono CCD: 8, 10, 12  
Color CCD: 8, 10, 12  
Manual, Auto: 0 - 36dB 1024 steps  
Manual, 1024 steps  
Manual  
Manual, auto, off  
1us/step, 1/500,000 to 1/24 sec (nom)  
Manual, auto, external  
Up to 16 seconds  
7 ROIs, any line to any line, any pixel to any pixel  
1x, 2x, 4x, 8x (Independent for H & V)  
External (TTL via IN1/IN2), pulse generator, software, computer  
Level, edge, pulse width, internal exposure, up to 16 seconds trigger delay, debounce  
Free-run, standard, double, fast, asynchronous, frame accumulation  
Time: 200 nanoseconds  
2 IN, 2 OUT, user programmable  
2 strobes, programmable position and duration  
Yes, programmable  
Yes, programmable  
Optical center, programmable H & V lines  
Threshold, contrast enhancement, knee correction, horizontal flip, negative image, bit shift (+/- 7 places)  
2Gb (256 MB)  
G=1.0, G=0.45, user upgradeable LUT  
Defective/hot pixel correction (static, dynamic), FFC, black level, vertical smear  
0.5 Lux, F/1.4  
C-Mount  
Auto, programmable  
Manual, user programmable  
12VDC (10V - 15V), 1.5 A inrush  
CLM 7.1 W  
46mm (W) x 46mm (H) – Applies to all interfaces  
CLM 53.1mm (L)  
352g  
100g (20-200) HZ XYZ, 1000g  
-40°C to +85°C Operating, -50°C to +90°C Storage  
10% to 90% non-condensing  
>660,000 hours @ 40°C (Telcordia SR-332)  
FCC 15 part A, CE, RoHS

Monochrome with Microlens ICX-814  
(Excludes lens & light source characteristics)



Color with Microlens  
(Excludes lens & light source characteristics)





WWW.SACASA.INFO

## Hirose Connectors

### Power and I/O Interface



- |                 |                 |
|-----------------|-----------------|
| 1 12V DC Return | 7 OUT1 Signal   |
| 2 +12V DC       | 8 IN1 Signal    |
| 3 IRIS VCC      | 9 IN2 Signal    |
| 4 IRIS Video    | 10 IN1/2 Return |
| 5 IRIS Return   | 11 Reserved     |
| 6 OUT1/2 Return | 12 OUT2 Signal  |

Connector: Hirose HR 10A- 10R- 12PB(71)

### Lens Control/RS232

See manual for PIN information



- |               |             |
|---------------|-------------|
| 1 IRIS Return | 7 FOCUS +   |
| 2 IRIS VCC    | 8 ZOOM -    |
| 3 IRIS Video  | 9 ZOOM +    |
| 4 IRIS -      | 10 UART_COM |
| 5 IRIS +      | 11 UART_RX  |
| 6 FOCUS -     | 12 UART_TX  |

Connector: Hirose HR 10A- 10R- 12SB(71)

## B3440 Ordering Information

### Interfaces available

Camera Link® Medium (CLM)

### Sensor types available

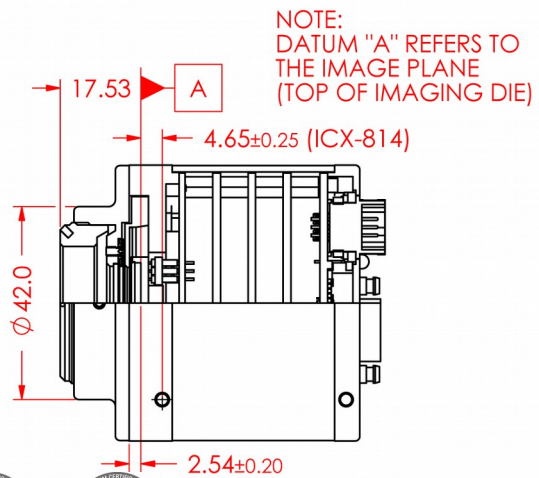
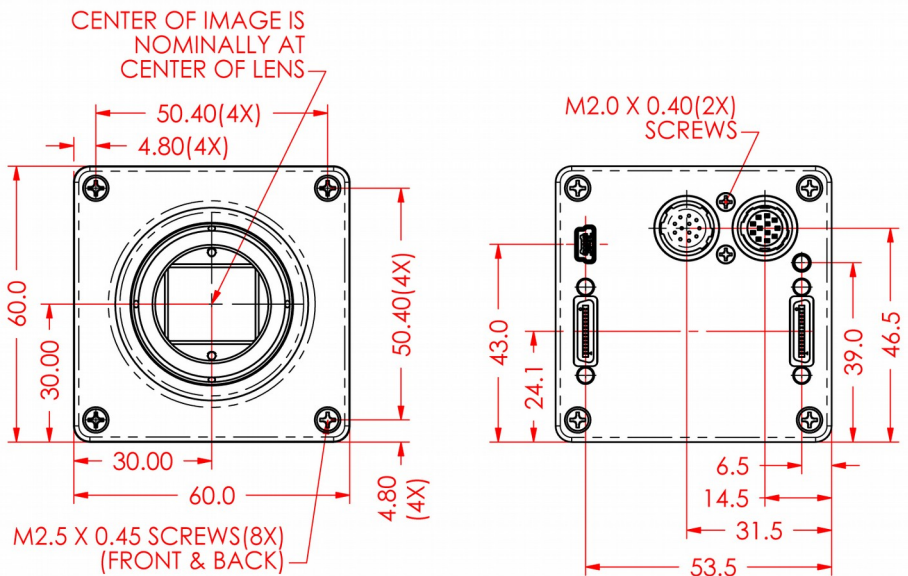
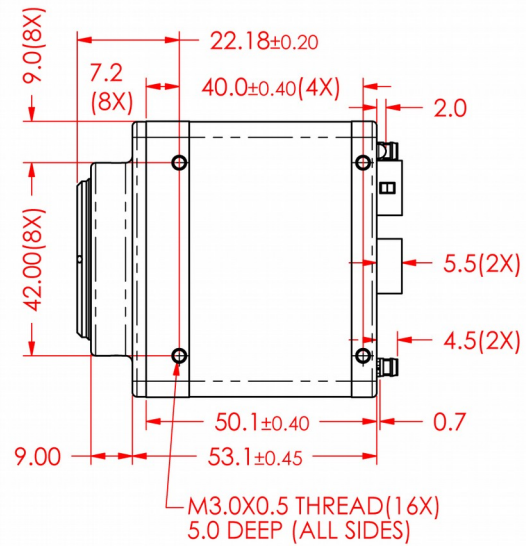
Monochrome

Bayer Color

### Accessories (Sold separately)

PS12v04-Power Supply w/ 1 input and 1 output

PS12v05-Power Supply (as above) and Video Iris



Quality Management System ISO 9001:2008 Registered  
Environmental Management System ISO 14001:2004 Registered  
DDTC Registered (Directorate of Defense Trade Controls, US Department of State)



bobcat-B3440, Rev1

