



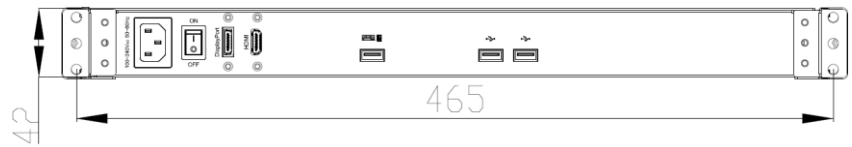
4K Resolution Short Depth LCD Console Drawers

Optimize rack space. Maximize rack monitoring

HDMI, Display Port, Hub



↑
(USB Port for device access)



Features

- 1U 17.3 inch widescreen LCD Console Drawer
- HDMI 1.4 & Display Port 1.2
- 4K resolution 3840 x 2160
- Support 1920 x 1080 & 1920 x 1200 resolution
- Front 1xUSB, Rear 2xUSB 2.0 Type A, Sharing USB peripheral Device for computer (ex, flash disk, hard driver, KB/Mouse)
- 104-key keyboard with touch pad mouse.
- USB 2.0 Keyboard & Mouse
- Self-locking and auto release rails for ultra convenience.
- Build in 2x 2 watts speakers

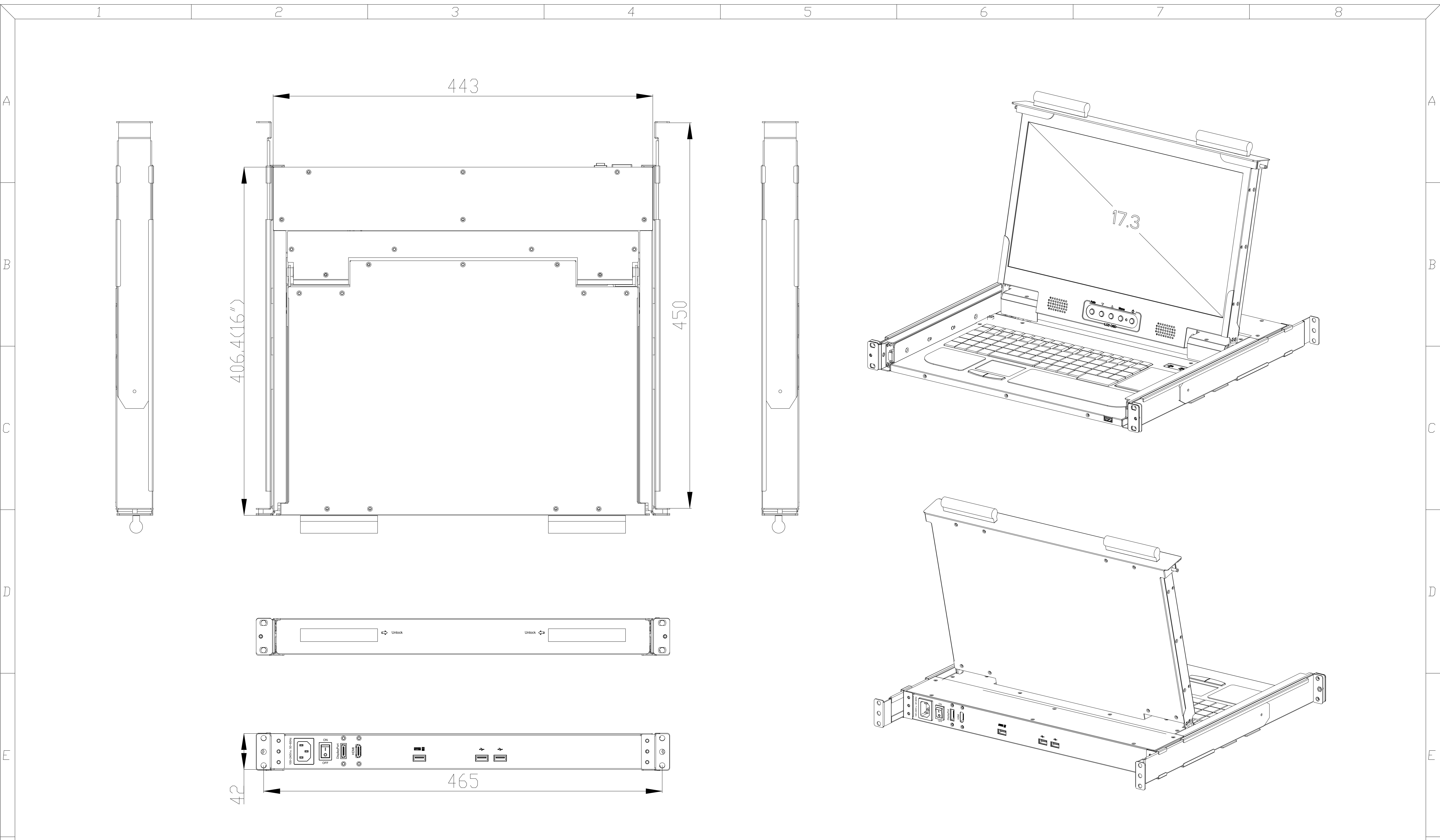
Option

- 48V, 24V or 12V DC Power

| | | |
|---|---|---------------------------|
| Part No. | KVM-1701SWPD-M2-4K | |
| Direct no. of Computers | 1 | |
| KVM Connectors | HDMI 1.4, Display port 1.2, USB | |
| LCD | Size | 17.3" |
| | Backlight | LED |
| | Resolution | 4K resolution 3840 x 2160 |
| | Max.color | 16.7M |
| | Luminance | 400cd/m2 |
| | View Angel (H/V) | 178 / 178 |
| | Contrast Ratio | 1000 : 1 |
| USB HUB | 1x Front , 2x Rear USB 2.0 Type A for peripheral USB devices | |
| Touch Screen | YES , for option (Driver needed) | |
| KB/Mouse Emulation | USB 2.0 | |
| Rack Depth | 380mm to 620mm (rack cabinet front rails to rear rails) | |
| Power | 100-240V AC 50/60Hz via IEC Type power cord | |
| Environment | Operation temp: 0 to 50°C | |
| | Storage temp: -20 to 60°C | |
| | Humidity: 10% - 90%, non-condensing | |
| | Shock: 10G acceleration (11ms duration) Vibration: 17 to 500Hz 1G PTP | |
| Physical Dimensions / Net Weights | 443x42x406mm (WxHxD) /9.7KG | |
| Packing Dimensions / Gross weights | 605x168x700mm (WxHxD) /13KG | |
| Accessory | | |
| 1.8 meter IEC Type Power Cord , 1.8 meter HDMI Cable, 1.8 meter Display Port Cable , 1.8 meter USB Cable (one each) | | |



102 route de Limours - DOMAINE DE ST PAUL - BAT
A6 - Bureau 3
78470 ST REMY LES CHEVREUSE
Tel : 09 54 16 23 53 - Fax : 09 59 16 23 53
www.sacasa.info - contact@sacasa.info



注意：
 1. 所有工件必须倒毛刺 去接刀痕。
 2. 所有线性尺寸按GB1804-M级。
 3. Finish: Coating (Spec. See Sample)

| MARK | DESCRIPTION | SING | DATE |
|------|-------------|------|------|
| △ | | | |
| △ | | | |
| △ | | | |

| | | | | | | | | | | | |
|-----|-----------|---------|-----------|-------------|----------|----------|----------|--------------------|-------------|-----------------|---------------|
| TOL | < 30 | : ±0.1 | UNIT : mm | FINISHING | 砂纹黑 | PART NO. | | Ver. | A0 | | |
| | 30 < 120 | : ±0.15 | | 3RD ANGLE'S | MATERIAL | | MOLD NO. | KVM-1701SWPD-M2-4K | Q'ty | 1 | |
| | 120 < 315 | : ±0.2 | APPROVED | CHECKED | DESIGNED | DRAWN | TITLE | KVM-1701SWPD-M2-4K | | | |
| | 315 < | : ±0.3 | | | | | LCH | 2017-09-25 | DRAWING NO. | KVM-1701SWPD-M2 | |
| | ANGLE TOL | : ±0.5° | | | | | SIZE | A3 | SCALE | 0.25 | SHEET: 1 OF 1 |