

CHEETAH

RUGGEDIZED CAMERA SERIES

C2420 CMOS 5 MP Camera Link®



Imperx: C2420

The CLF-C2420 camera features the Sony Pregius IMX-250 Global Shutter CMOS sensor with a native resolution of 2464 x 2056 in a 2/3" optical format delivering up to 97 frames per second with a Camera Link® Full, PoCL output. The Sony Pregius image sensor delivers outstanding sensitivity and excellent image quality. Imperx puts you in control by providing full access to raw data without corrections. Using the simple intuitive graphical user interface, you can quickly apply or remove image corrections. The C2420's flexibility, image quality, and speed make it suitable for a broad range of diverse and demanding applications, but "one size doesn't fit all," and Imperx can help optimize the camera to your exact requirements.

Specifications

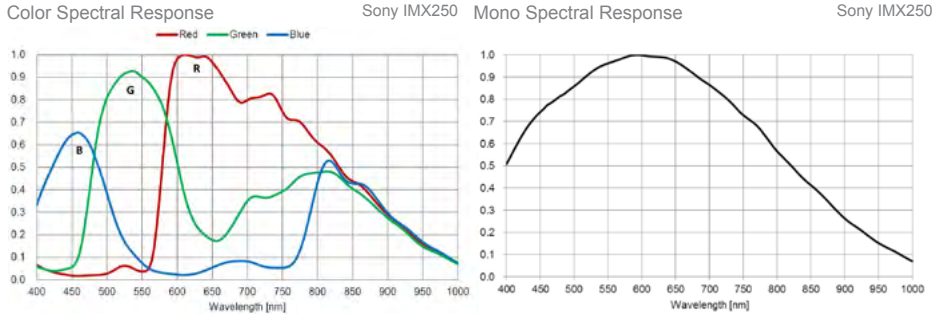
| Feature | Description | Feature | Description |
|---------------------------|---|----------------------------|--|
| Interfaces available | Camera Link® Base, Medium, Full w/PoCL | Strobe Output | 2 strobes, programmable position and duration |
| Resolution | 2464 (H) x 2056 (V) | Pulse Generator | Yes, programmable |
| Sensor | Sony Pregius IMX-250 CMOS Color/Mono | Data Correction | 4 LUTS; 1 LUT pre-programmed with Gamma 0.45; Bad pixel correction (static, dynamic) |
| Sensor Format | 8.4mm (H) x 7.1mm (V), 2/3" optical format | Lens Mount | C-Mount (default) |
| Pixel Size | 3.45 microns square | P-IRIS | Optional |
| Shutter | Global shutter (GS) | Supply Voltage Range | 12VDC (5V – 30V), 1.5 A inrush |
| Digitization | 8, 10, 12 bit | Camera Current | Typical: 200mA/12V |
| Frame Rate | 97 (8-bit), 79 (10-bit), 35 (12-bit) | PoCL | PoCL capable in medium/full mode |
| Pixel Clock Rate | 37.125MHz | Size - Width/Height/Length | 37mm (W), 37mm (H), 48.6mm (L) |
| Dynamic Range | 71dB | Weight | 91.8g |
| Output Bit Depth | 8, 10, 12 bit | Vibration, Shock | TBD |
| Analog/Digital Gain | Manual, auto; 0-48 dB, 480 steps | Environmental | -30° C to +75° C |
| White Balance | Manual, Auto, Off | Humidity | 10% to 90% non-condensing |
| Shutter Speed | 1 µs/step, 14 µs to 16.0 sec. | MTBF | TBD |
| Exposure Control | Off, internal, external, auto | Military Standard | MIL-STD-810F |
| Regions of Interest (ROI) | 2 ROI | Regulatory | FCC Part 15, CE, RoHS |
| Binning | 1x2, 2x1, 2x2 | | |
| Sub-sampling | 1x2, 2x1, 2x2 | | |
| Trigger Inputs | External, pulse generator, software, computer | | |
| Trigger Options | Edge, debounce | | |
| Trigger Modes | Free run, Standard, Fast | | |
| External Inputs/Outputs | 2 IN (OPTO, LVTTTL) / 2 OUT (OPTO, TTL) | | |

Imperx: C2420 Applications

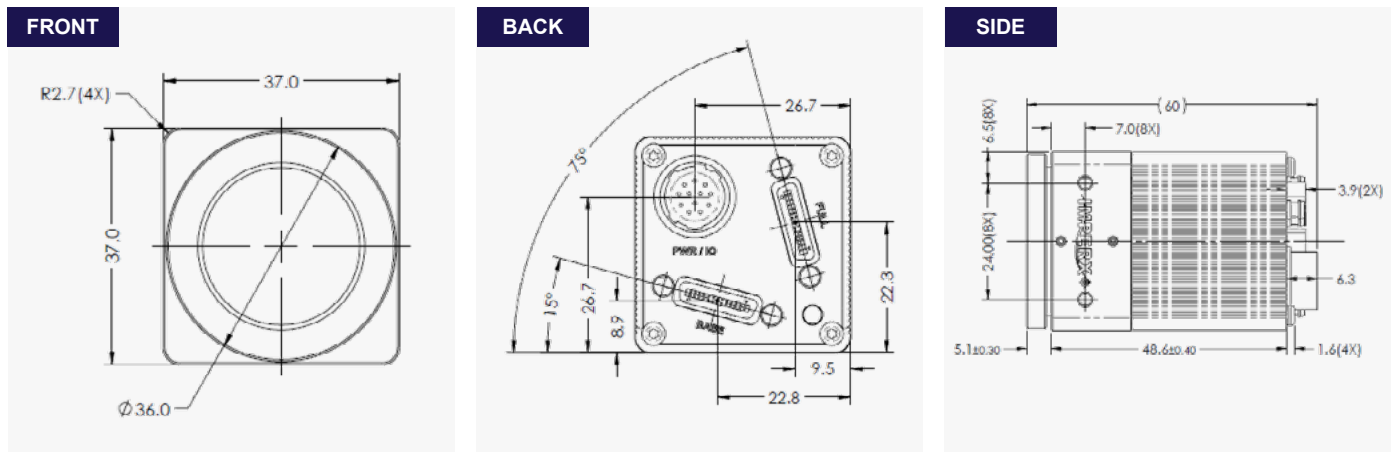
The CLF C2420 incorporates a number of unique features tailored to reduce system complexity, maximize interface bandwidth, and expand the usable operational range.

Aerospace • Satellites • Surveillance • Ball Grid Array • Printed Circuit Board Inspection • Motion Analysis • Broadcast Television • Telepresence • Unmanned Aerial Vehicles • Machine Vision • Intelligent Traffic Systems • Aerial Imaging • Open Road Tolling Systems • Situational Awareness

Absolute Quantum Efficiency



Dimensions

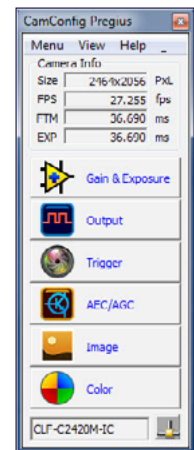


Ordering Information


| |
|-------------------------------|
| Interface Available |
| Camera Link® Full (CLF) |
| Sensor Types available |
| Monochrome |
| Bayer Color |

| |
|---|
| Lens Mounts |
| C-Mount (Default) |
| Accessories (Sold separately) |
| PS12V04A-Power Supply w/ 1 input and 1 output |

Software/Drivers/Interface



Hirose Connectors

| | |
|---|--|
| Power and I/O Interface | |
|  | <ol style="list-style-type: none"> 12 VDC Return +12 VDC Reserved Reserved OUT2 RTN (OPTO) OUT1 RTN OUT1 (TTL) IN1 (OPTO) IN2 (LVTTTL) IN1 RTN IN2 RTN OUT2 (OPTO) |



102 route de Limours - DOMAINE DE ST PAUL - BAT A6 - Bureau 3
78470 ST REMY LES CHEVREUSE
Tel : 09 54 16 23 53 - Fax : 09 59 16 23 53
www.sacasa.info - contact@sacasa.info