

# Rack Mount Industrial Display Monitor

Model # RMB-17W-4K



## Features

- Compact 19 inch rack mountable with 7U height
- 17.3 inch TFT LCD wide screen support 4K resolution 3840 x 2160
- Display-Port 1.2 x1 , HDMI 2.0 x 3
- 90 ° tilt adjustment while mounted in rack: 45° ~-45° ( V )
- Heavy duty steel chassis with hardness glass protect screen
- Front osd control buttons to optimized display
- Build in 2x 2watts stereo speakers

## Option

- DC 9~36 V power input
- AR Hardness glass
- Touch screen

### LCD Characteristics :

Screen Size	17.3"
Backlight Type	LED
Resolution	3840x2160
Contrast Ratio	1000:1
Brightness ( cd/m2 )	400
View Angles ( H/V )	178/178
Pixel Size ( HxV ) mm	0.0995x0.0995
Max. Color	16.7M
MTBF ( Hrs. )	30,000

### Input Signals:

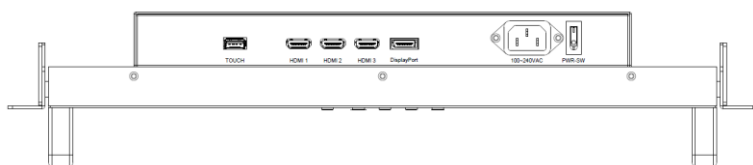
Display-Port	Display- Port 1.2 ( 4K-60Hz )
HDMI	3 x HDMI 2.0 ( 4K-60Hz)
Power Input	AC inlet, 100-240VAC
Touch-USB ( option )	USB A Type connector
Touch-RS232 ( option )	D-SUB 9P connector ( Female )

### Power Specifications :

AC Power Input	Standard IEC Type Power Cord with Internal Power adapter, 100-240V AC Input
Wide Range DC Power Input ( option )	Screw Type Terminal Block with internal wide Range DC 9-36V power module

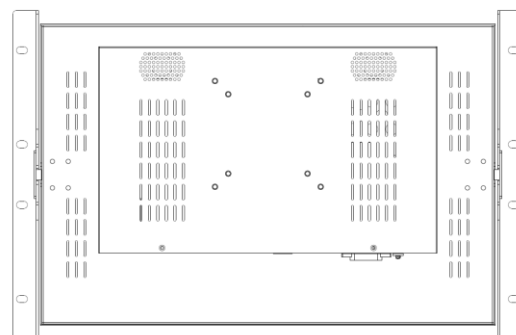
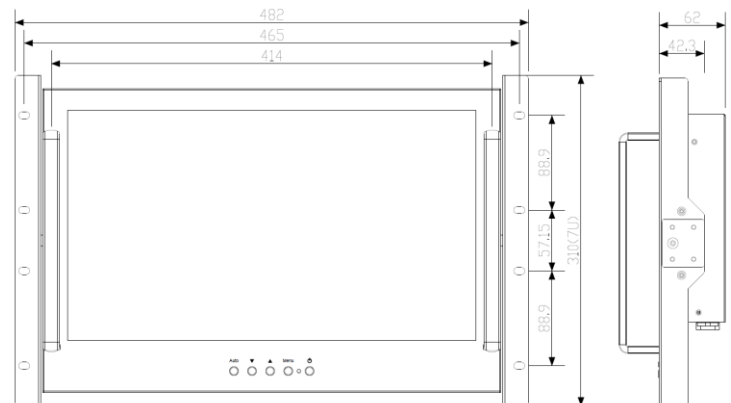
### User Controls Interface:

Power ON / OFF via Front Button
Power Mode Status LED indicator
OSD ( On Screen Display ) Buttons



### Mechanical and Environment:

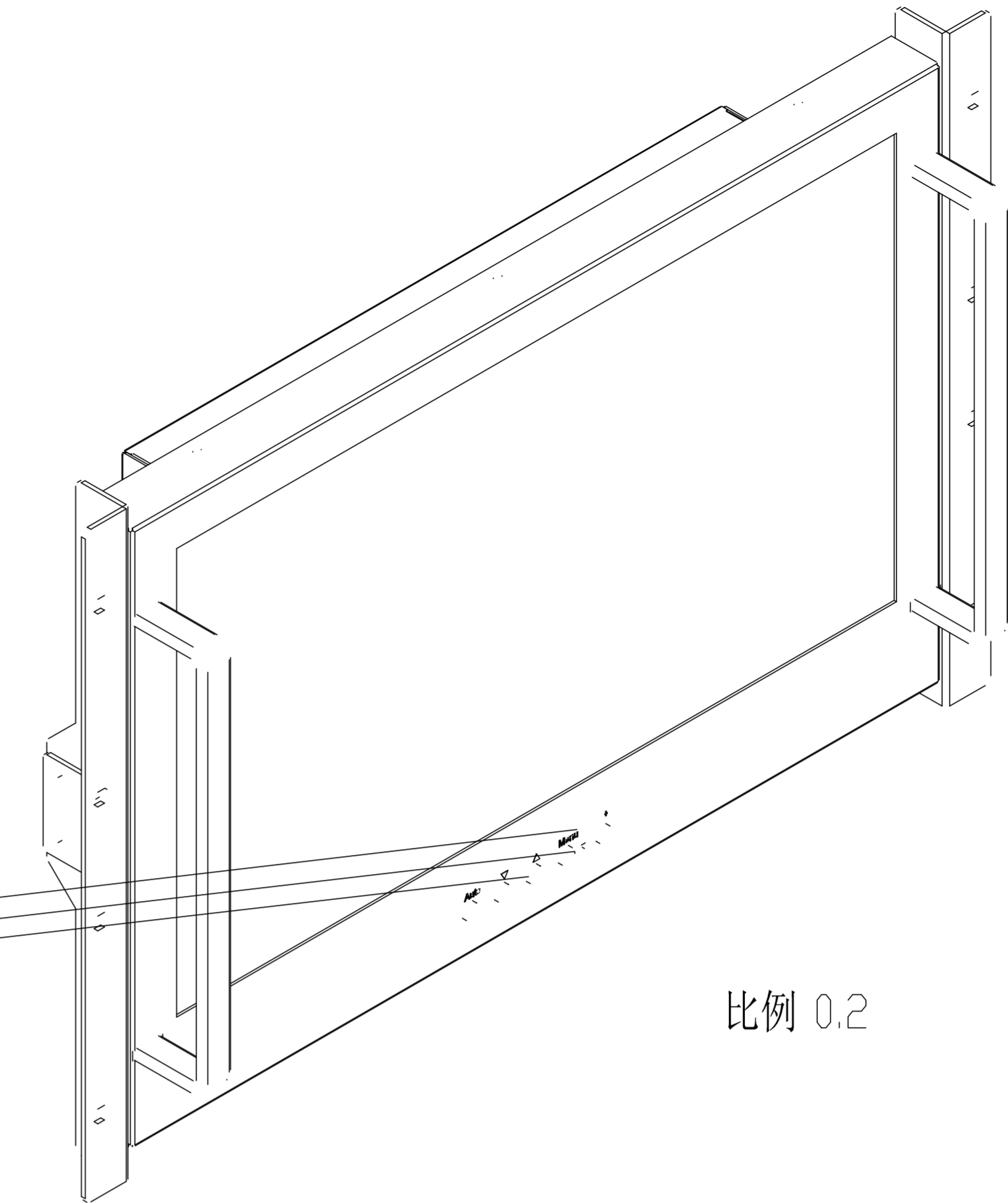
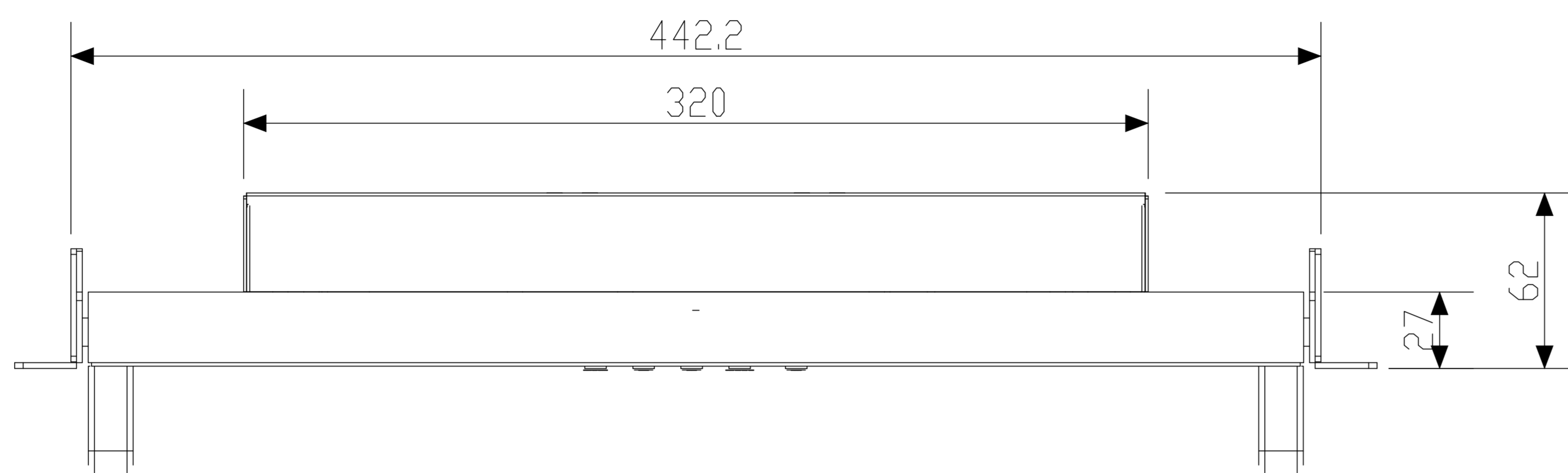
Height	7U
IP Protect	N/A
Mounting	VESA Mount and Rack Mount
Construction	Metal Housing
Operating Temperature	0 - 50 deg. C
Operating Humidity	5% - 95% ( non -condensing )
Anti-Vibration	5 - 500 Hz / 1 Grms PTP
Anti-Shock	15G / Peak ( 11 ms )
Physical Dimension (WxHxD)	482 x 310 x 62 (mm)
Packing Dimension (WxHxD)	620 x 400 x 210 (mm)
Net Weight / Gross Weight	7 / 9 (KGs)
Certification and Approvals	CE / FCC / RoHs



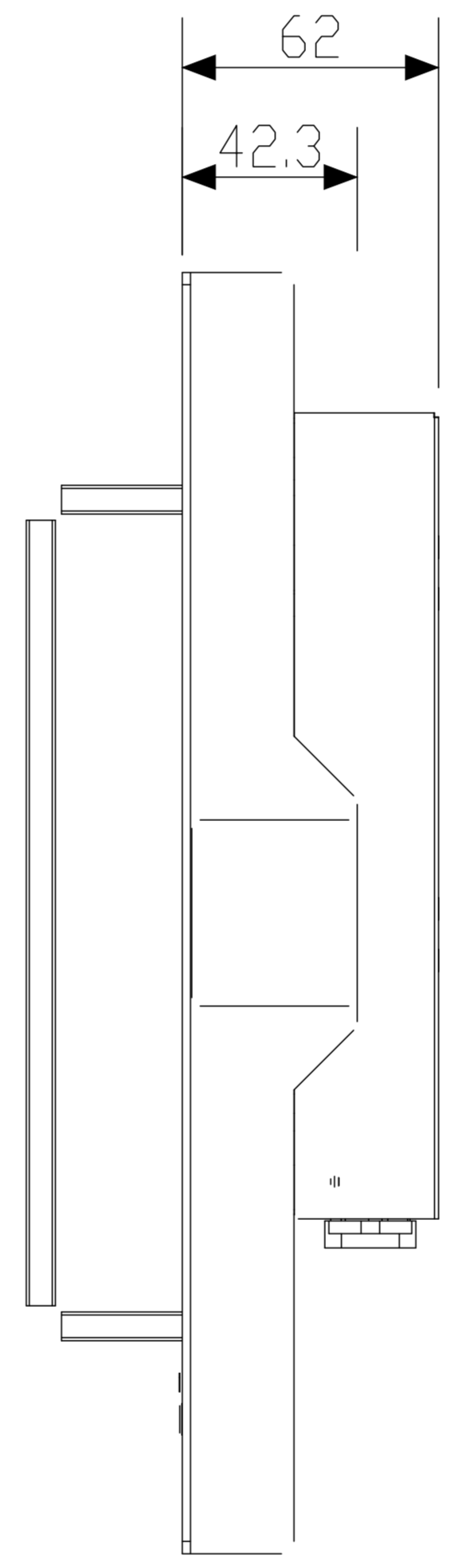
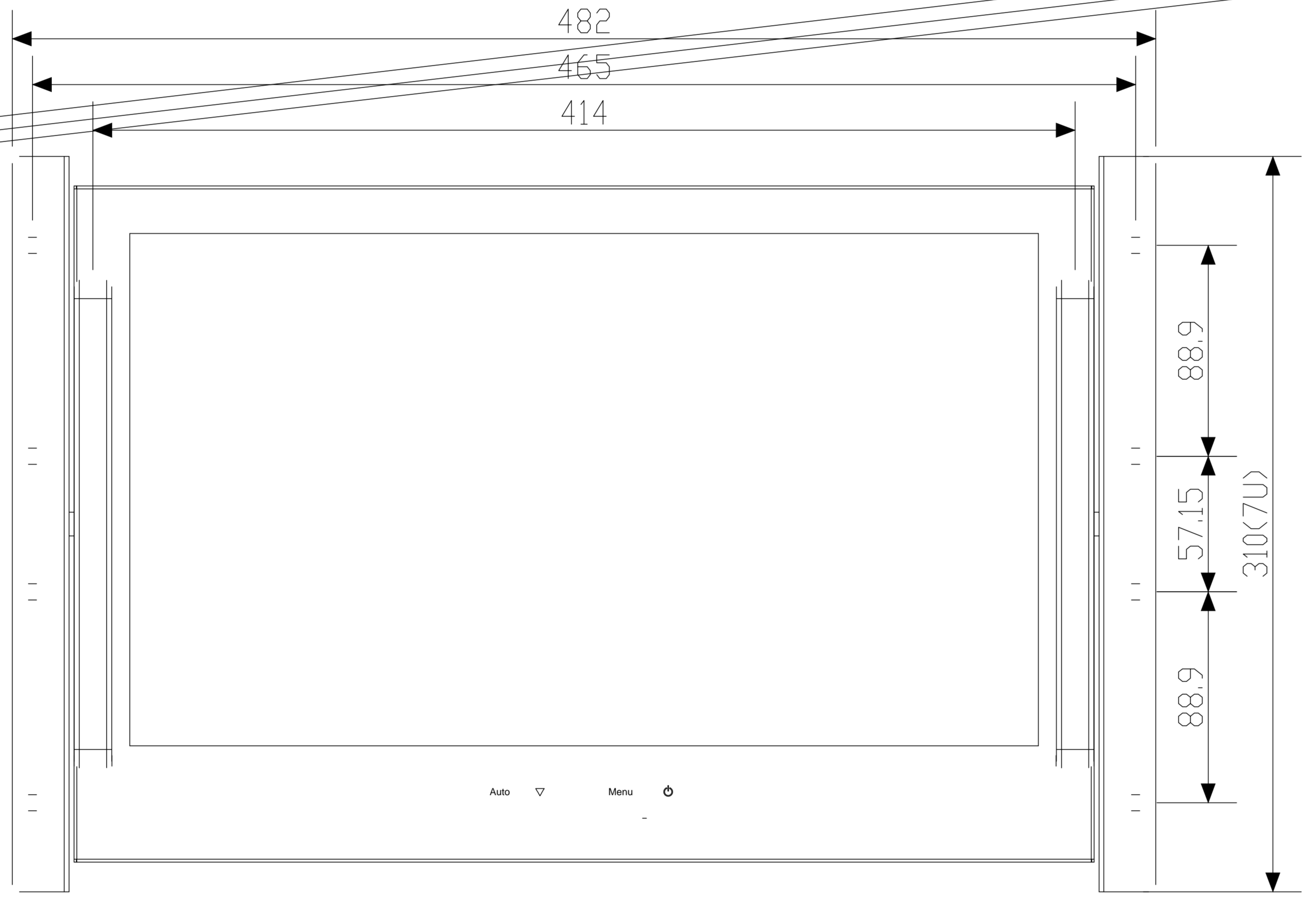
CE FC RoHS COMPLIANT



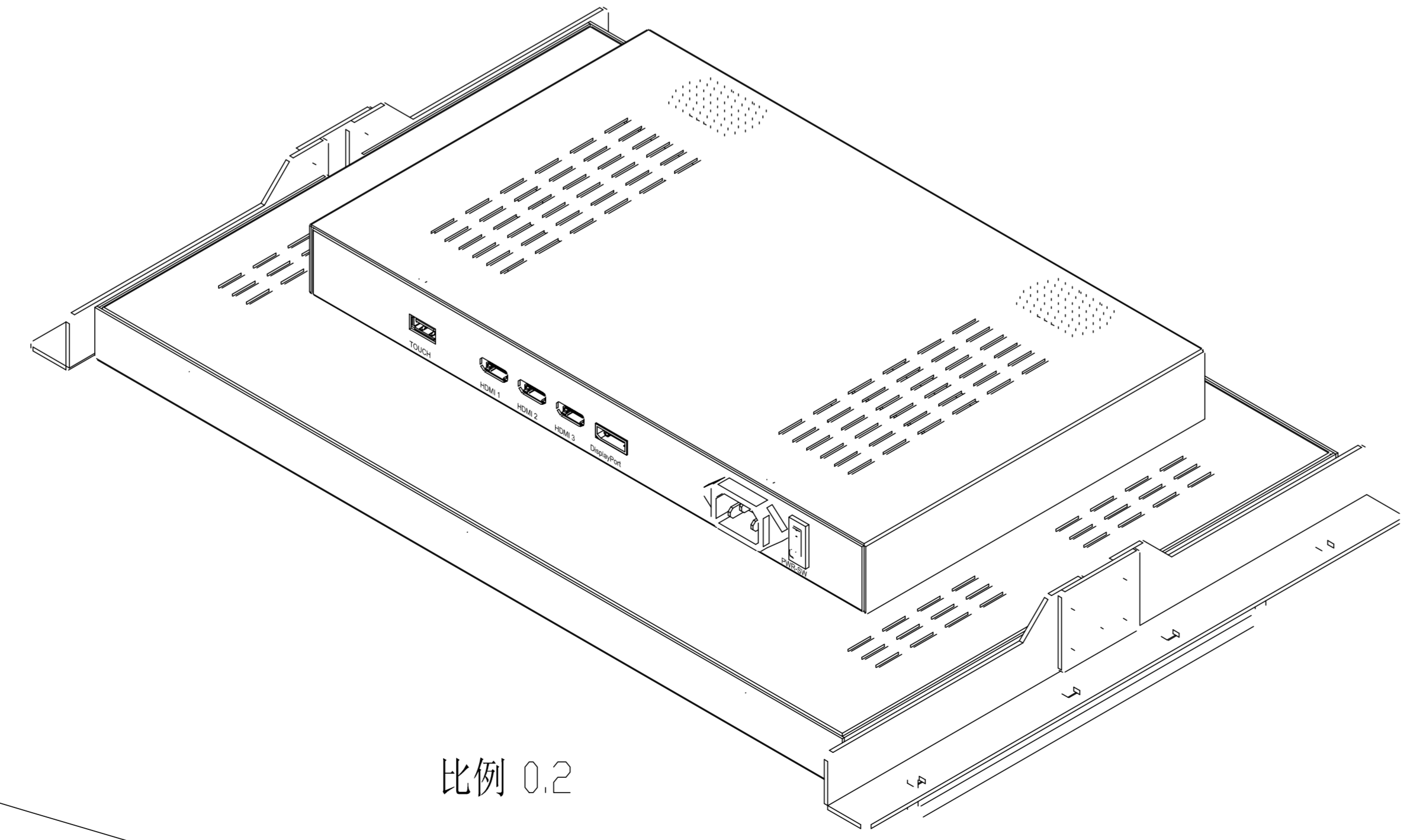
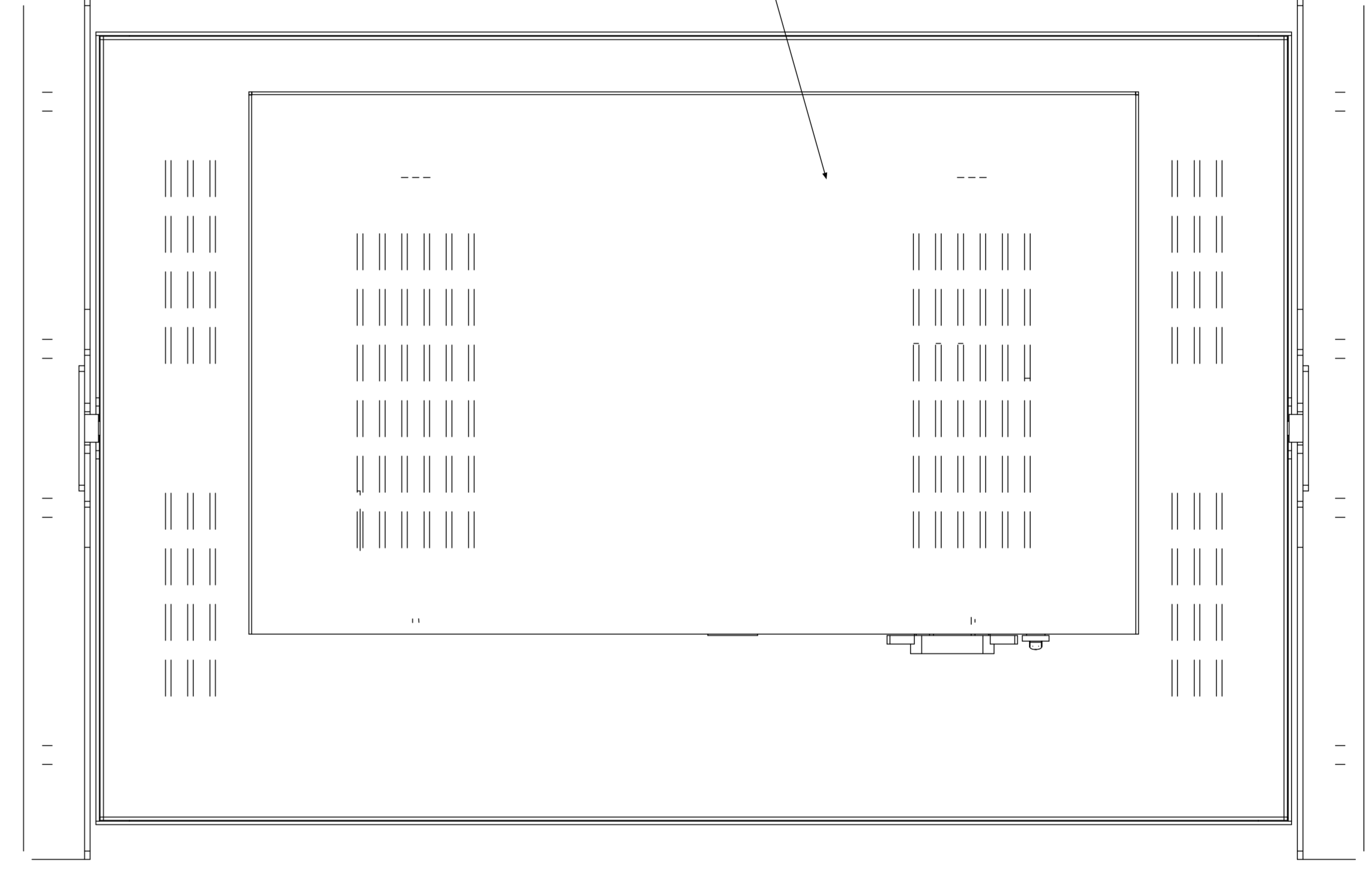
102 route de Limours - DOMAINE DE ST PAUL - BAT  
A6 - Bureau 3  
78470 ST REMY LES CHEVREUSE  
Tel : 09 54 16 23 53 - Fax : 09 59 16 23 53  
www.sacasa.info - contact@sacasa.info



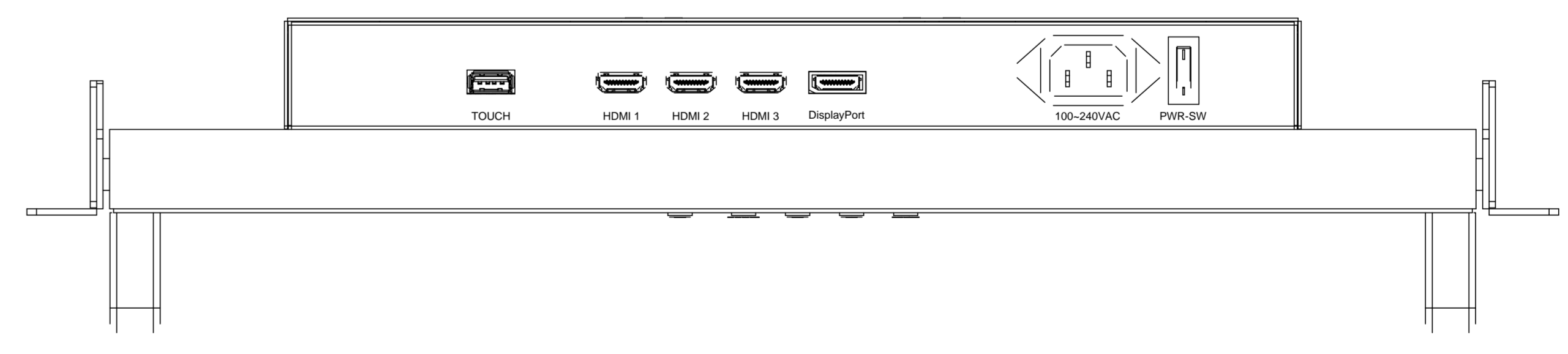
比例 0.2



8-M4-VESA



比例 0.2



注意：所有工件必须倒毛刺 去接刀痕。

2. 所有线性尺寸按GB1804-M级。

毛边朝		1、绿色面	2、白色面						
TOL	< 30	: ±0.1		UNIT : mm	FINISHING	<i>Black</i>		PART NO.	Ver. <i>A0</i>
	30 < 120	: ±0.15		3RD ANGLE'S	MATERIAL			MOLD NO.	<i>RMB-17W-4K</i>
	120 < 315	: ±0.2						Qty	<i>1</i>
	315 <	: ±0.3							
	ANGLE TOL	: ±0.5°		APPROVED			TITLE <i>RMB-17-AC-ASSY</i>		
				CHECKED					