

# Rack Mount Industrial Display Monitor

Model # RMB-21W



## Features

- Compact 19 inch rack mountable with 8U height
- 21.5 inch widescreen LCD panel
- 1920 x 1200 WUXGA Ultra high resolution
- Support FHD with 1080p resolution
- DVI-D, VGA, Audio input
- Heavy duty steel chassis with hardness glass protect screen
- Front osd control buttons to optimized display
- Build in 2x 2watts stereo speakers

## Option

- Composite video input
- HDMI or Display port input
- 3G / HD / SD-SDI broadcast grade input
- DC 9~36 V power input
- AR Hardness glass
- Touch screen

### LCD Characteristics :

Screen Size	21.5 inch widescreen
Backlight Type	LED
Resolution	1920x1080 ( up to 1920x 1200 )
Contrast Ratio	3000:1
Brightness ( cd/m2 )	250
View Angles ( H/V )	178/178
Pixel Size ( HxV ) mm	0.24825x0.24825
Max. Color	16.7M
MTBF ( Hrs. )	50,000

### Input Signals:

DVI-D	DVI-D 24Pin Connector (Female)
VGA	D-SUB 15Pin Connector (Female)
Audio	3.5" Jack
Power Input	Standard IEC Inlet
Touch-USB ( option )	USB A Type connector
Touch-RS232 ( option )	D-SUB 9P connector ( Female )

### Power Specifications :

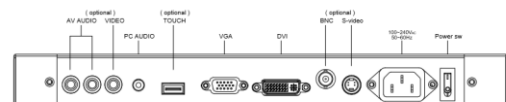
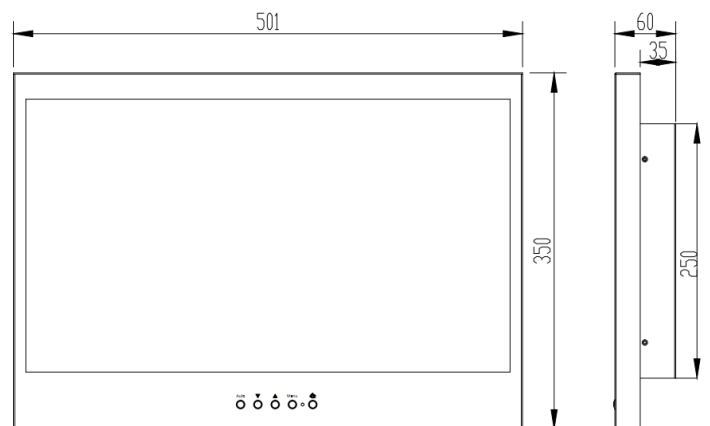
AC Power Input	Standard IEC Type Power Cord with Internal Power adapter, 100-240V AC Input
Wide Range DC Power Input ( option )	Screw Type Terminal Block with internal wide Range DC 9-36V power module

### User Controls Interface:

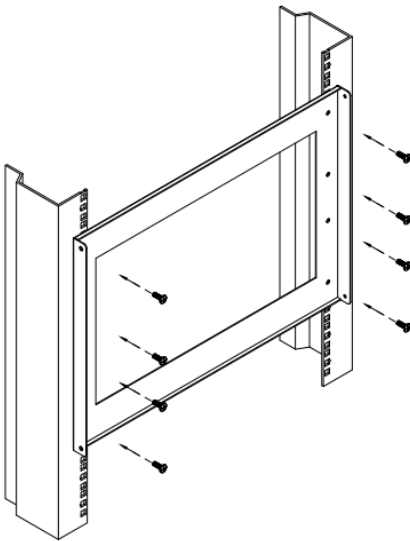
Power ON / OFF via Front Button
Power Mode Status LED indicator
OSD ( On Screen Display ) Buttons

### Mechanical and Environment:

Height	8U
IP Protect	N/A
Mounting	VESA Mount and Rack Mount
Construction	Metal Housing
Operating Temperature	0 - 50 deg. C
Operating Humidity	5% - 95% ( non -condensing )
Anti-Vibration	5 - 500 Hz / 1 Grms PTP
Anti-Shock	15G / Peak ( 11 ms )
Physical Dimension (WxHxD)	501 x 350 x 60 (mm)
Packing Dimension (WxHxD)	620 x 480 x 210 (mm)
Net Weight / Gross Weight	9.5 / 12 (KGs)
Certification and Approvals	CE / FCC / RoHS

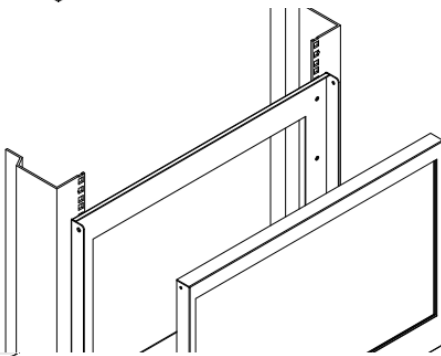


### Installation Guide



#### Step 1

- Mount the rear bracket with M6 screw set.
- 8 x M6 screw set are required.
- **M6 screw sets are not provided**



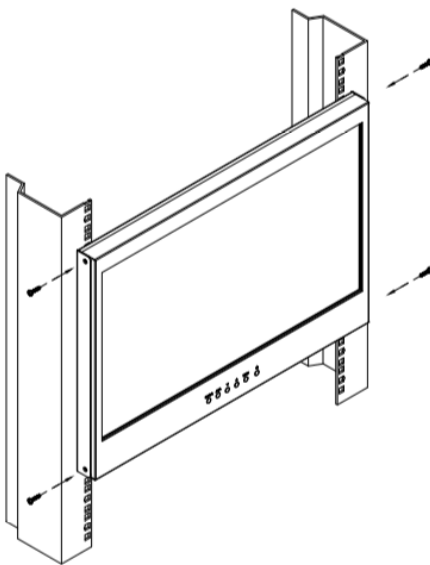
#### Step 2

- Insert the RMB-22W display panel into the rear bracket .



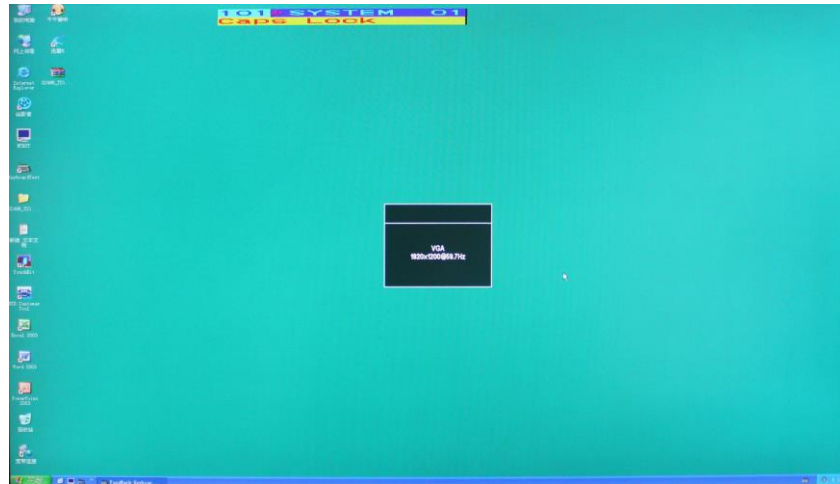
#### Step 3

- Fix the RMB-22W display panel into the rear bracket with two fasteners ( Left & right side ).

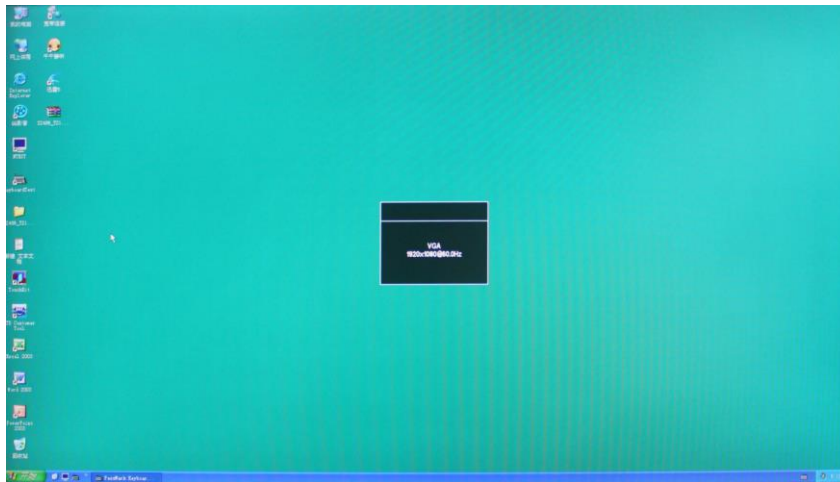


### Display present on different resolution

Resolution 1920 x 1200



Resolution 1920 x 1080



Resolution 1600 x 1200

