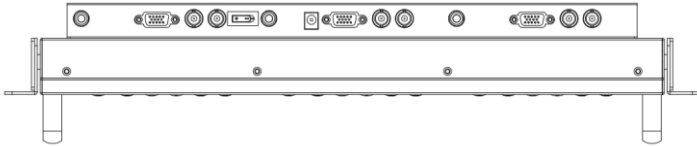
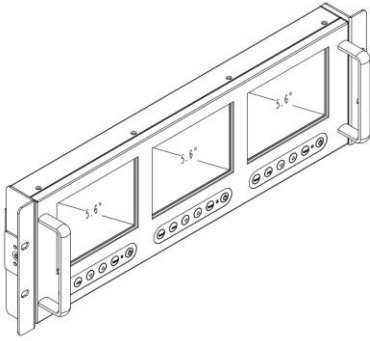


# Rack Mount Industrial Display Monitor

Model # RM-3x56



## Features

- Compact 19 inch rack mountable with 3.5U height
- Triple 5.6 inch LCD panel, support 640 x 480 resolution
- VGA, Composite Video Input
- 90 ° tilt adjustment while mounted in rack: 45° ~-45° ( V )
- Heavy duty steel chassis with hardness glass protect screen
- Front osd control buttons to optimized display

## Option

- DC 9~36 V power input
- AR Hardness glass
- Touch screen

### LCD Characteristics :

Screen Size	5.6 inch
Backlight Type	LED
Resolution	640x480
Contrast Ratio	500:1
Brightness ( cd/m2 )	200
View Angles ( H/V )	140/120
Pixel Size ( HxV ) mm	0.0588x0.1764
Max. Color	262K
MTBF ( Hrs. )	50,000

### Input Signals:

VGA	D-SUB 15Pin Connector (Female)
Composite Video	RCA plug
Audio	3.5" Jack
Power Input	External power adapter
Touch-USB ( option )	USB A Type connector
Touch-RS232 ( option )	D-SUB 9P connector ( Female )

### Power Specifications :

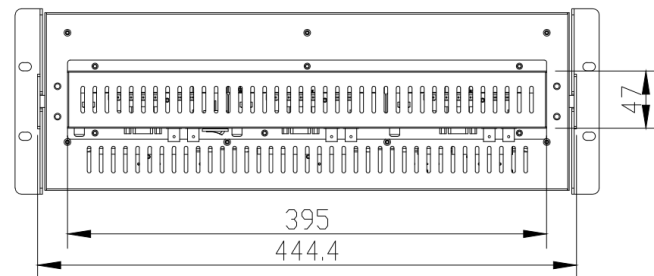
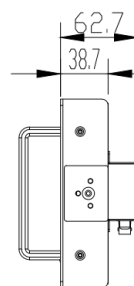
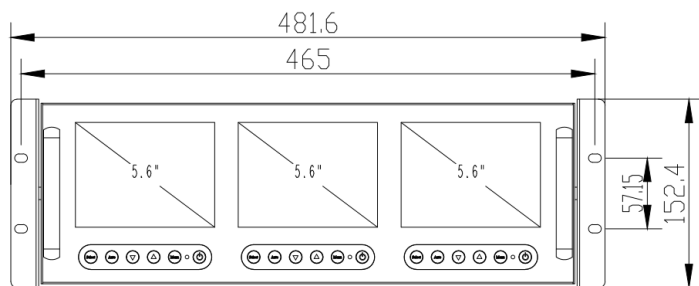
AC Power Input	100-240VAC / DC 12V external AC adapter
Wide Range DC Power Input ( option )	Screw Type Terminal Block with internal wide Range DC 9-36V power module

### User Controls Interface:

Power ON / OFF via Front Button
Power Mode Status LED indicator
OSD ( On Screen Display ) Buttons

### Mechanical and Environment:

Height	3.5U
IP Protect	N/A
Mounting	Rack Mount
Construction	Metal Housing
Operating Temperature	0 - 50 deg. C
Operating Humidity	5% - 95% ( non -condensing )
Anti-Vibration	5 - 500 Hz / 1 Grms PTP
Anti-Shock	15G / Peak ( 11 ms )
Physical Dimension ( WxHxD )	482 x 152 x 63 ( mm )
Packing Dimension ( WxHxD )	600 x 190 x 290 ( mm )
Net Weight / Gross Weight	( KGs )
Certification and Approvals	CE / FCC / RoHs



CE FC RoHS COMPLIANT PRODUCT



102 route de Limours - DOMAINE DE ST PAUL - BAT  
A6 - Bureau 3  
78470 ST REMY LES CHEVREUSE  
Tel : 09 54 16 23 53 - Fax : 09 59 16 23 53  
www.sacasa.info - contact@sacasa.info

