

Rack Mount Industrial Display Monitor

Model # RMB-17W-4K



Features

- Compact 19 inch rack mountable with 7U height
- 17.3 inch TFT LCD wide screen support 4K resolution 3840 x 2160
- Display-Port 1.2 x1 , HDMI 2.0 x 3
- 90 ° tilt adjustment while mounted in rack: 45° ~-45° (V)
- Heavy duty steel chassis with hardness glass protect screen
- Front osd control buttons to optimized display
- Build in 2x 2watts stereo speakers

Option

- DC 9~36 V power input
- AR Hardness glass
- Touch screen

LCD Characteristics :

Screen Size	17.3"
Backlight Type	LED
Resolution	3840x2160
Contrast Ratio	1000:1
Brightness (cd/m2)	400
View Angles (H/V)	178/178
Pixel Size (HxV) mm	0.0995x0.0995
Max. Color	16.7M
MTBF (Hrs.)	30,000

Input Signals:

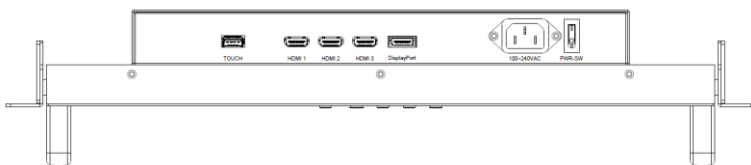
Display-Port	Display- Port 1.2 (4K-60Hz)
HDMI	3 x HDMI 2.0 (4K-60Hz)
Power Input	AC inlet, 100-240VAC
Touch-USB (option)	USB A Type connector
Touch-RS232 (option)	D-SUB 9P connector (Female)

Power Specifications :

AC Power Input	Standard IEC Type Power Cord with Internal Power adapter, 100-240V AC Input
Wide Range DC Power Input (option)	Screw Type Terminal Block with internal wide Range DC 9-36V power module

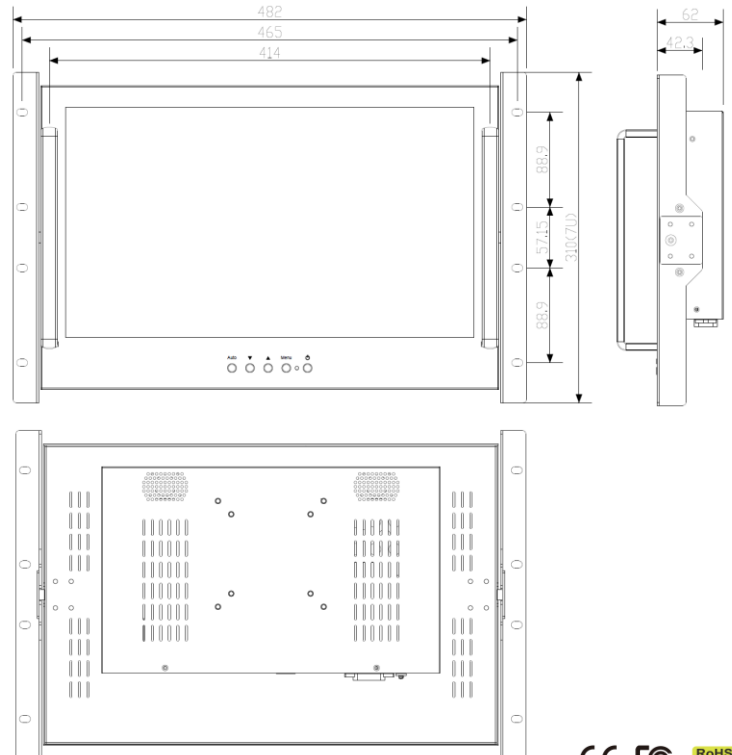
User Controls Interface:

Power ON / OFF via Front Button
Power Mode Status LED indicator
OSD (On Screen Display) Buttons



Mechanical and Environment:

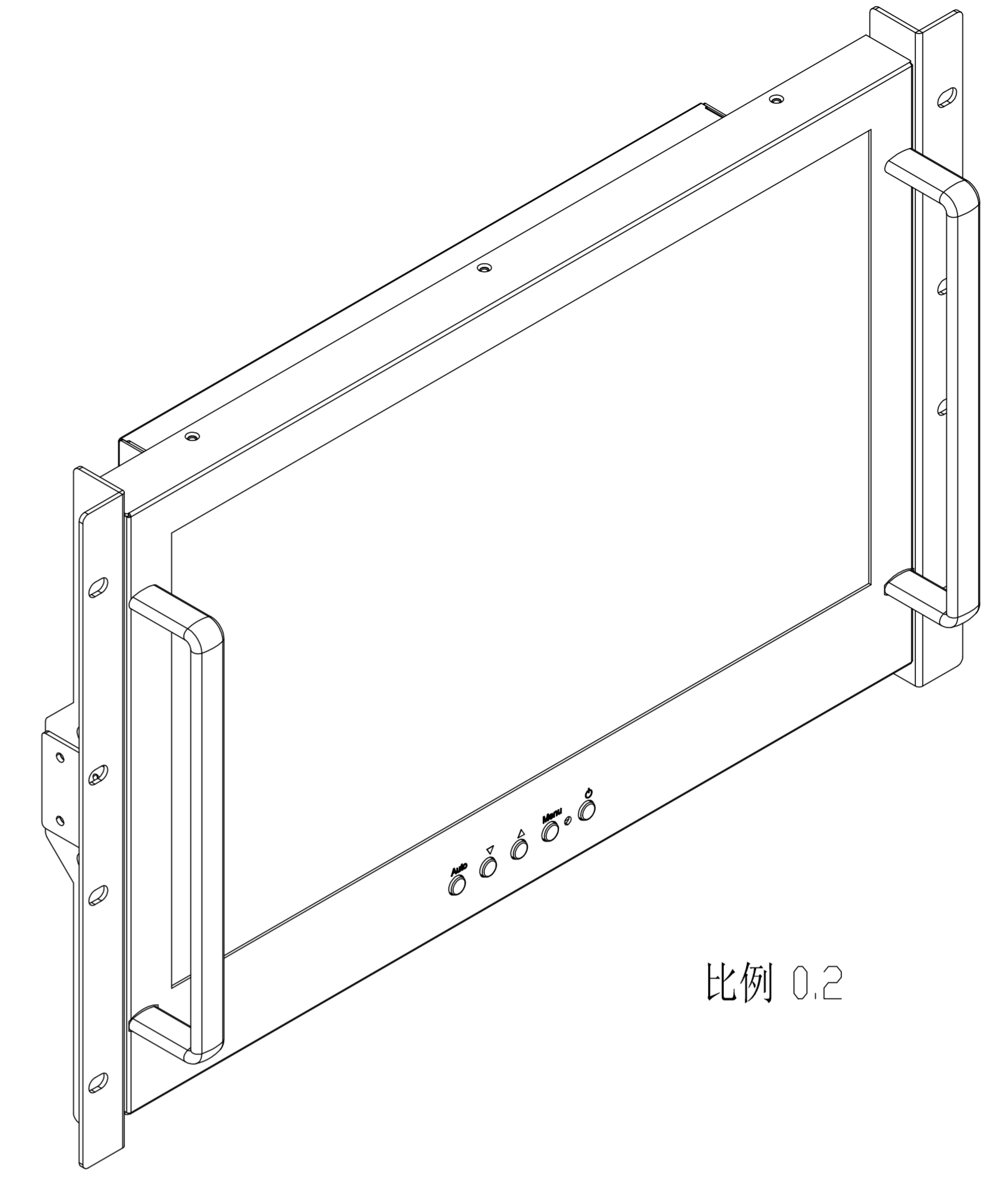
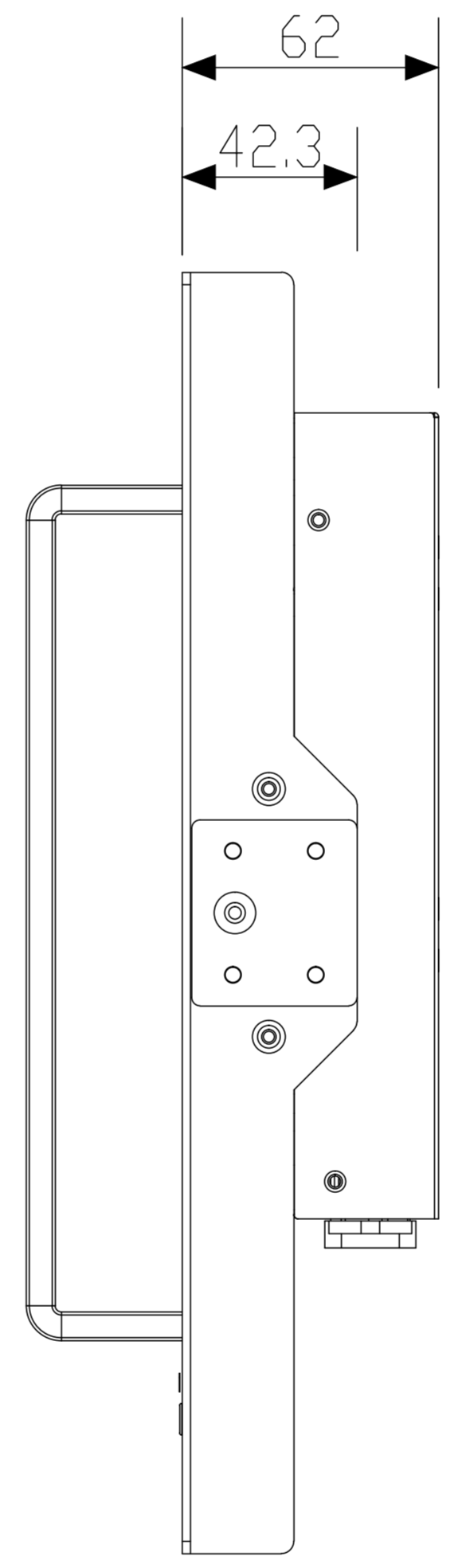
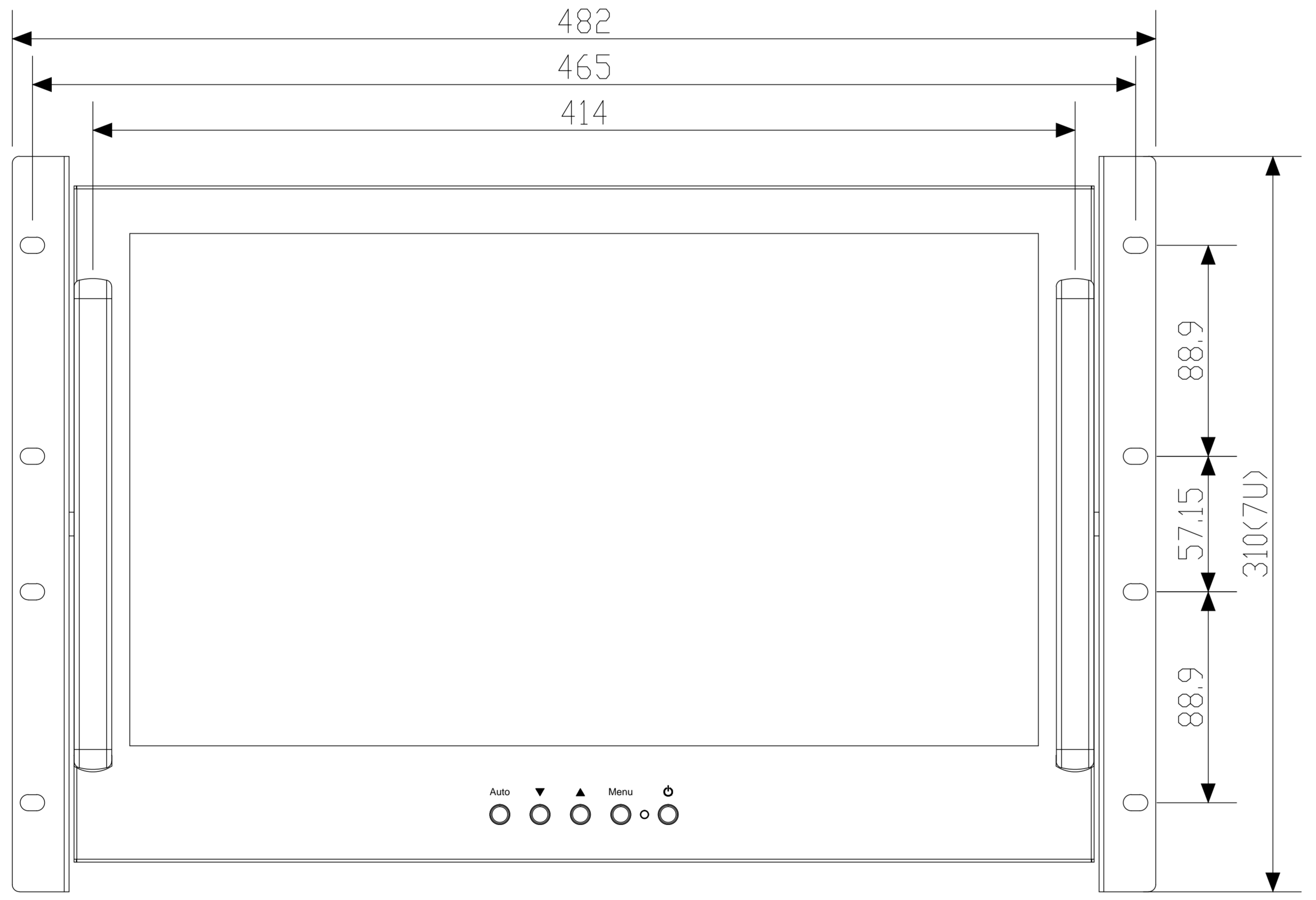
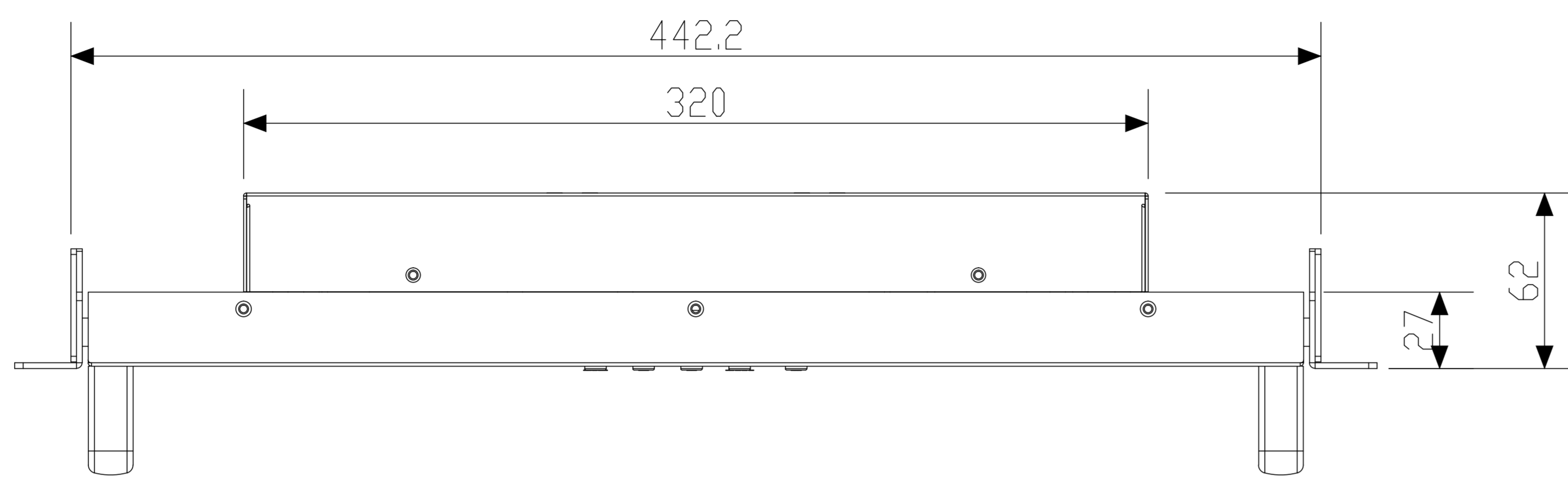
Height	7U
IP Protect	N/A
Mounting	VESA Mount and Rack Mount
Construction	Metal Housing
Operating Temperature	0 - 50 deg. C
Operating Humidity	5% - 95% (non -condensing)
Anti-Vibration	5 - 500 Hz / 1 Grms PTP
Anti-Shock	15G / Peak (11 ms)
Physical Dimension (WxHxD)	482 x 310 x 62 (mm)
Packing Dimension (WxHxD)	620 x 400 x 210 (mm)
Net Weight / Gross Weight	7 / 9 (KGs)
Certification and Approvals	CE / FCC / RoHs



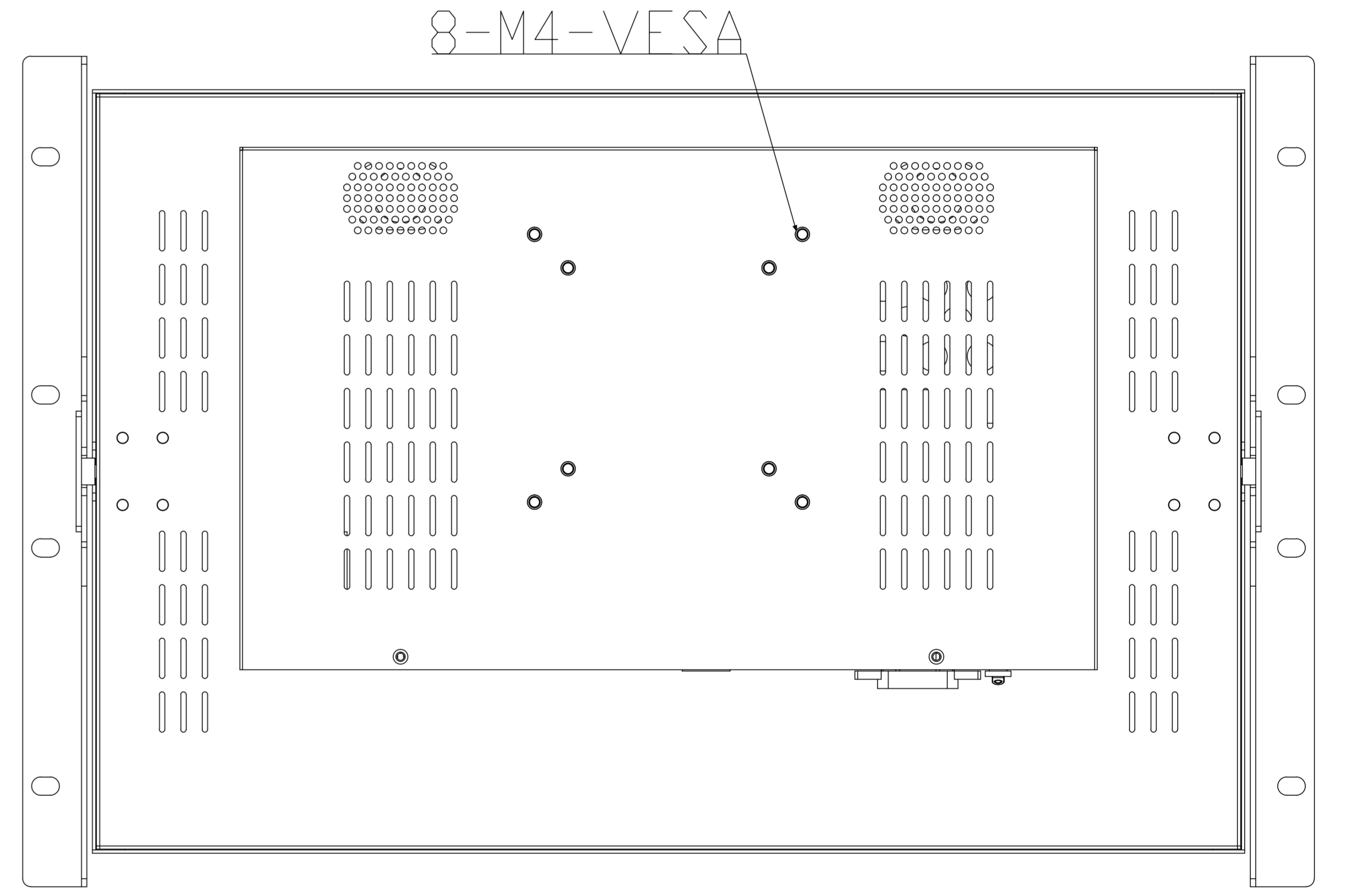
CE FC RoHS COMPLIANT



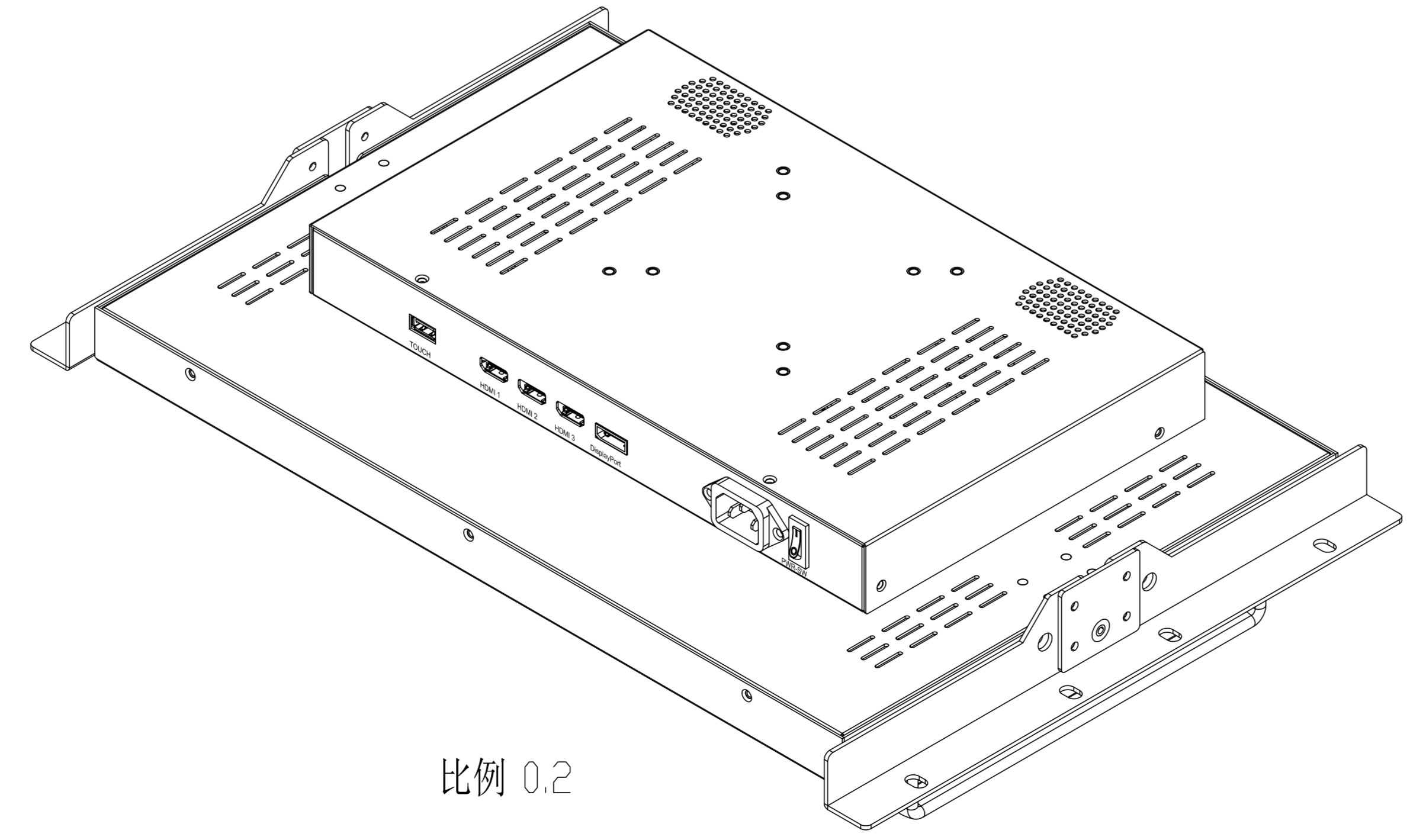
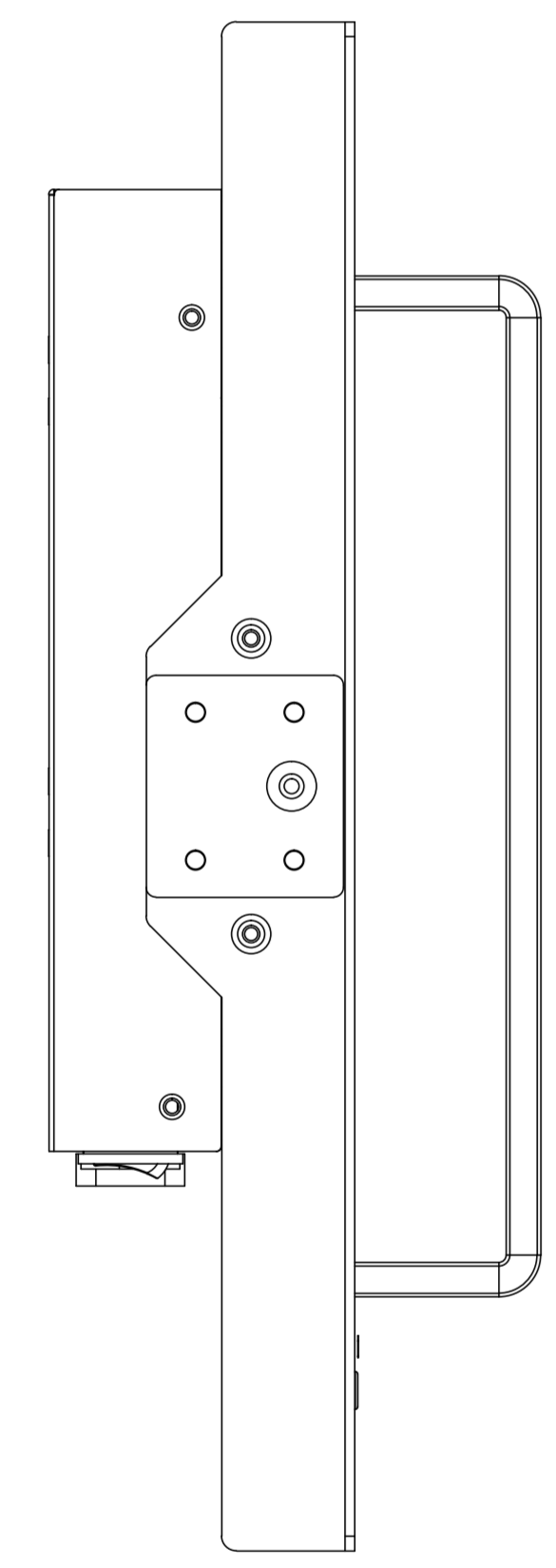
102 route de Limours - DOMAINE DE ST PAUL - BAT
A6 - Bureau 3
78470 ST REMY LES CHATELAINES
Tel : 09 54 16 23 53 - Fax : 09 59 16 23 53
www.sacasa.info - contact@sacasa.info



比例 0.2

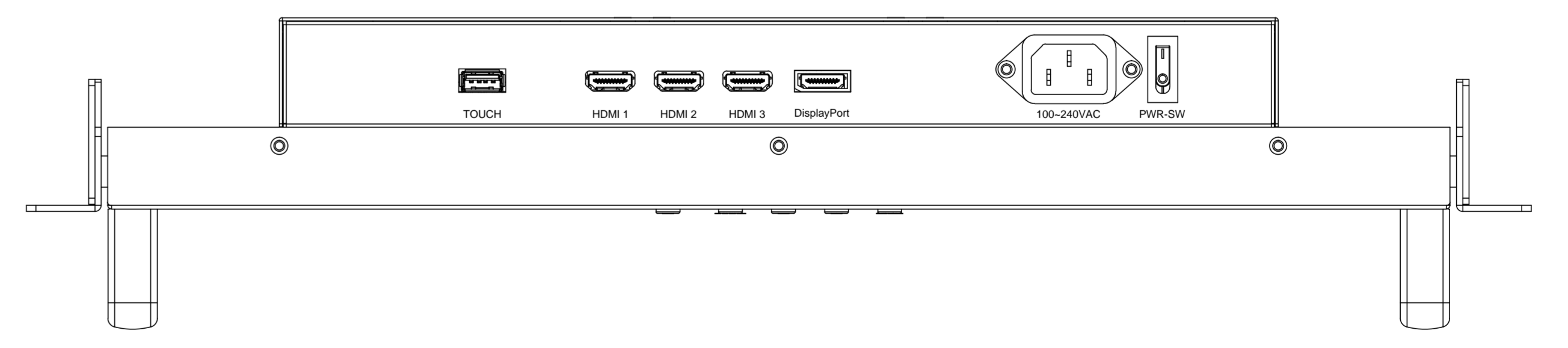


8-M4-VESA



比例 0.2

注意：
1. 所有工件必须倒毛刺 去接刀痕。
2. 所有线性尺寸按GB1804-M级。



毛边朝		1、绿色面	2、白色面						
TOL	< 30	: ±0.1		UNIT : mm	FINISHING	<i>Black</i>		PART NO.	Ver. <i>A0</i>
	30 < 120	: ±0.15		3RD ANGLE'S	MATERIAL			MOLD NO.	<i>RMB-17W-4K</i>
	120 < 315	: ±0.2						Qty	<i>1</i>
	315 <	: ±0.3							
	ANGLE TOL	: ±0.5°		APPROVED			TITLE <i>RMB-17-AC-ASSY</i>		
				CHECKED					

