

21.5 inch Quad Screen Splitter LCD Console Drawers Screen Rotate Version

Optimize rack space. Maximize rack monitoring



(USB Port for device access)



Switching port by simply moving the mouse cursor across each screen boundary on QSS mode

The Anso range of Quad Screen Splitter (QSS) LCD console drawers represents the latest technology in KVM switching. The key advantage over conventional KVM switches is that it allows you to simultaneously display and administer 4 computers on a single console. It combines KVM features and a digital multi-viewer scaling and converting videos at both inputs and output.

Configure with 21.5 inch A-Grade FHD LCD panels, integrated 4 ports DVI-D/USB/Audio/HUB, support Full screen and Quad screen mode.

The self-locking rails when in the fully extended open position and the ultra convenient auto lock release when the LCD panel is closed, make for simple and hassle free operation.

Features

- Facilitated by screen rotate function.
- 1U single rail with 21.5" LCD Monitor,
- Support FHD with 1080p resolution.
- Four Independent DVI-D/USB/Audio/HUB interface for each PC.
- Support Full screen and Quad screen mode
- On Quad Screen mode, by Mouse moving across screen boundary or via Push Button or Hotkey to switching port
- Front 1x , rear 2x USB 2.0 Type A, Sharing USB peripheral Device for each computer. (Ex, flash disk, hard driver, KB/Mouse)
- Build in 2x2w stereo speakers.
- Durable 104-key keyboard and touch pad.
- Quick and simple installation.
- Self-locking and auto release rails for ultra convenience.

Rear of KVM-2104QSS-M5



Part No.		KVM-2104QSS-M5
Direct no. of Computers		4 x DVI-D/ USB / Audio & 2x HUB
Maximum no. of Computers		4
LCD	Size	21.5"
	Backlight	LED
	Resolution	1920*1080 FULL HD
	Max.color	16.7M
	Luminance	250cd/m2
	View Angel (H/V)	178 / 178
	Contrast Ratio	3000 : 1
Port Selection		Mouse moving across screen boundary , Push Button or Hotkey
USB HUB		Front 1x , rear 2x USB 2.0 Type A for USB Peripheral Device
KB/Mouse Emulation		USB
Rack Depth		600mm to 1300mm (rack cabinet front rails to rear rails)
Power		100-240V AC 50/60Hz via IEC Type power cord
Environment		Operation temp: 0 to 50°C Storage temp: -20 to 60°C Humidity: 10% - 90%, non-condensing Shock: 10G acceleration (11ms duration) Vibration: 17 to 500Hz 1G PTP
Physical Dimensions / Net Weights		448x44x795mm (WxHxD) / 19.5KG
Packing Dimensions / Gross weights		580 x 195 x 940mm (WxHxD) / 23KG
Accessory		
1.8meter IEC Type Power Cord ,1.8meter DVI Cable x4 , 1.8meter USB Cable x 4 , 1.8meter Audio Cable x 4		

21.5 inch Quad Screen Splitter LCD Console Drawers Screen Rotate Version

Optimize rack space. Maximize rack monitoring



Lift the display

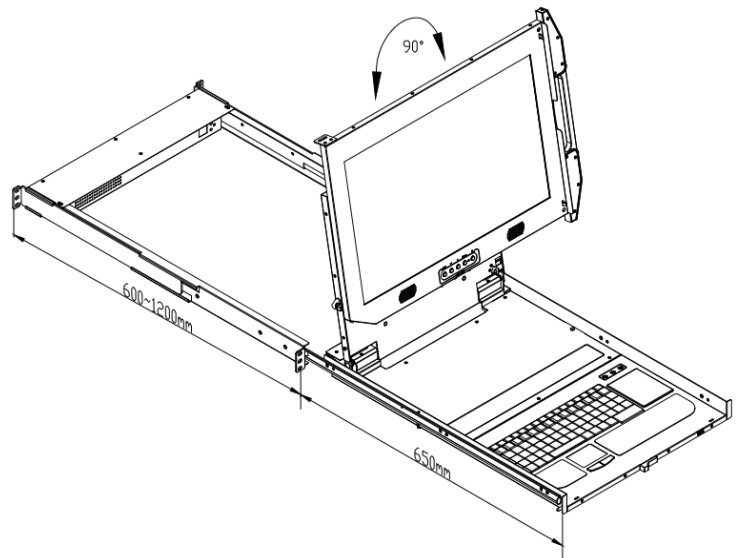
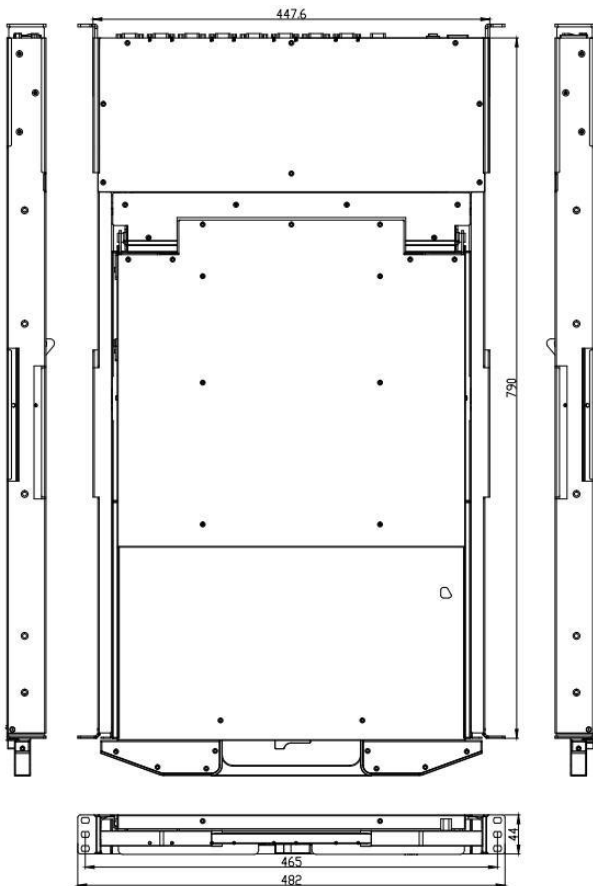


Display rotate to the right



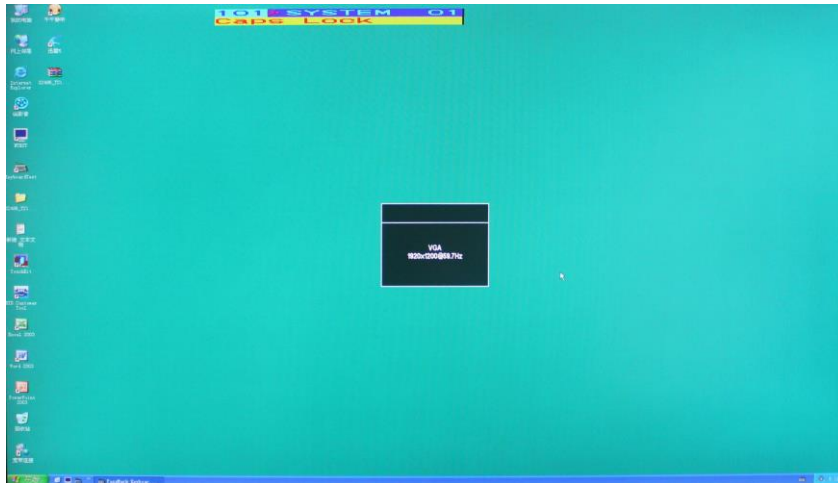
Operating position

Rear of KVM-2104QSS-M5

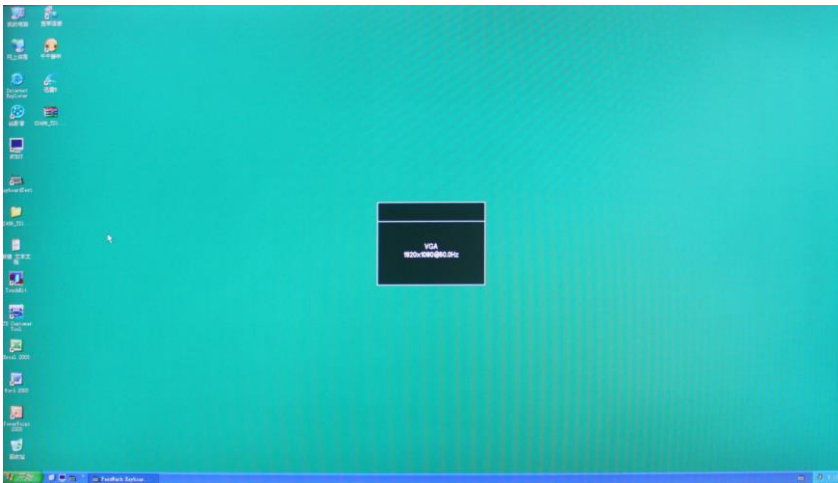


Display present on different resolution

Resolution 1920 x 1200



Resolution 1920 x 1080



Resolution 1600 x 1200

