

Rack Mount Industrial Display Drawer

Model # RMD-15



Features

- 1U Foldable Compact 19 inch rack mountable
- 15 inch 1024 x 768 resolution
- DVI-D, VGA, Audio input
- Heavy duty steel chassis construction
- Front osd control buttons to optimized display
- Build in 2x 2watts stereo speakers
- Self-Locking and Auto Release rail for ultra convenience

Option

- Composite video input
- HDMI or Display port input
- 3G / HD / SD-SDI broadcast grade input
- DC 9~36 V power input
- AR Hardness glass
- Touch screen



Rear of RMD-15

LCD Characteristics :

Screen Size	15"
Backlight Type	LED
Resolution	1024*768
Contrast Ratio	700:1
Brightness (cd/m2)	450
View Angles (H/V)	160/140
Pixel Size (HxV) mm	0.297x0.297
Max. Color	16.7M
MTBF (Hrs.)	50,000

Input Signals:

DVI-D	DVI-D 24Pin Connector (Female)
VGA	D-SUB 15Pin Connector (Female)
Audio	3.5" Jack
Power Input	Standard IEC Inlet
Touch-USB (option)	USB A Type connector
Touch-RS232 (option)	D-SUB 9P connector (Female)

Power Specifications :

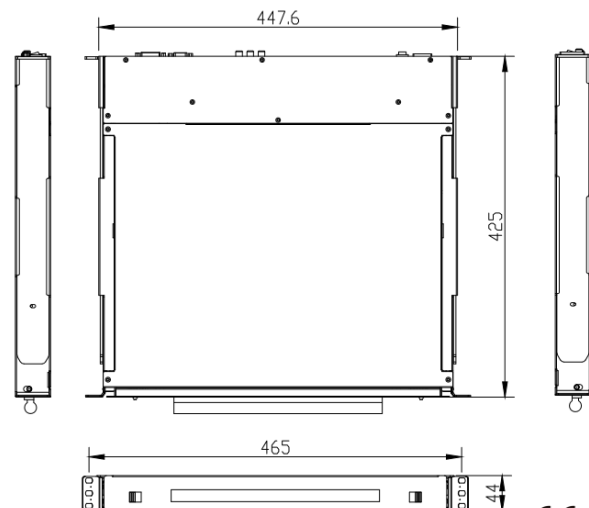
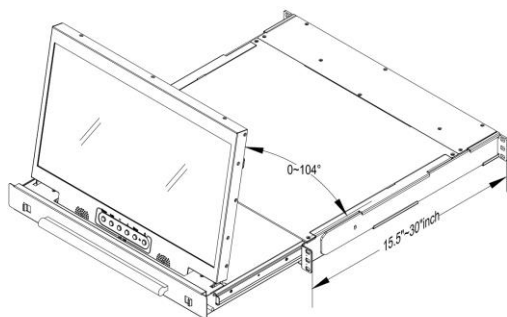
AC Power Input	Standard IEC Type Power Cord with Internal Power adapter, 100-240V AC Input
Wide Range DC Power Input (option)	Screw Type Terminal Block with internal wide Range DC 9-36V power module

User Controls Interface:

Power ON / OFF via Front Button
Power Mode Status LED indicator
OSD (On Screen Display) Buttons

Mechanical and Environment:

Height	1U Foldable
Rack Depth	15.5" to 30" (cabinet front rail to rear rail)
Mounting	Rack Mount with tilt adjustment
Construction	Metal Housing
Operating Temperature	0 - 50 deg. C
Operating Humidity	5% - 95% (non -condensing)
Anti-Vibration	5 - 500 Hz / 1 Grms PTP
Anti-Shock	15G / Peak (11 ms)
Physical Dimension (WxHxD)	448 x 44 x 425 (mm)
Packing Dimension (WxHxD)	610 x 170 x 700 (mm)
Net Weight / Gross Weight	12.5 / 17 (KGs)
Certification and Approvals	CE / FCC / RoHS



102 route de Limours - DOMAINE DE ST PAUL - BAT
A6 - Bureau 3
78470 ST REMY LES CHEVREUSE
Tel : 09 54 16 23 53 - Fax : 09 59 16 23 53
www.sacasa.info - contact@sacasa.info

1 2 3 4 5 6 7 8

A A

B B

C C

D D

E E

