



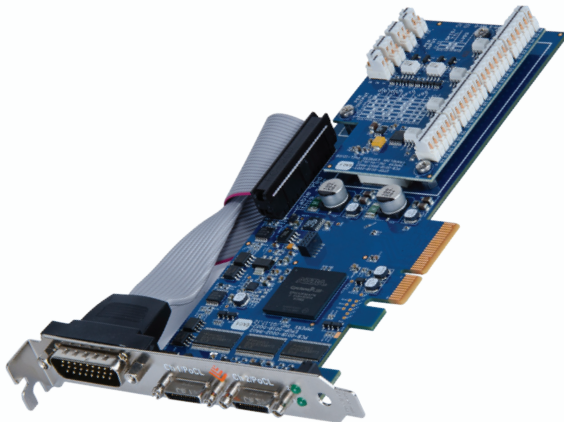
SPECIFICATIONS

CAMERAS
FRAME GRABBERS
IMAGING SOLUTIONS

Camera Link® PCIe x4 Card for Desktop PCs

VCE-CLPCIe03

Simultaneous acquisition from two Base Camera Link cameras or one Medium Camera Link camera. Fully PoCL with SafePower compliant. Includes a comprehensive Programmable Logic Controller and 8 I/O signals.



Features

- PCIe x4 compliant providing 10 Gbps of bandwidth
- Fully compliant with the Power over Camera Link (PoCL) and Safe Power specifications
- Built in comprehensive programmable logic controller (PLC)
- Intelligent scatter/gather DMA for fast, efficient use of PCIe bandwidth and system memory
- Flow-through pipeline architecture for low latency
- Unique 'auto-learn' feature automatically recognizes camera parameters and simplifies CAM file creation
- Includes 4 external inputs each configurable as TTL, LVDS or Opto-coupled
- Includes 4 general outputs each configurable as TTL, LVDS, Opto-coupled or Open Collector
- Dynamic buffer allocation
- Selectable window sizes
- Adjustable RGB brightness and auto white balance
- Bayer pattern interpolation
- Captures single, multiple frames or AVI clips
- Normal or delay capture
- Date, time and text overlay
- BMP, TIFF or adjustable JPEG file format
- Image viewer with DVR controls
- Many advanced features including look up tables, histograms, RGB gain/offset with auto-white balance, hex pixel dump, etc.

Software

- Application program: Full featured, intuitive, easy to use GUI
- Drivers: Win XP/2000/Vista/7/8 in 32 and 64 bit versions, DirectX, LabVIEW, Matlab, Halcon, MIL
- SDK: C/C++, COM, .NET, ActiveX – all with sample source code

Video Source

- Uses two mini-CL (SDR/HDR) connectors
- Base: 24 video data bits plus strobes and clock per channel
- Medium: 48 video data bits plus strobes and clock per channel
- 4 camera control bits (CC1 to CC4) per channel
- Bi-directional serial interface per channel

Video Format

- Base: 1x8, 2x8, 3x8, 1x10, 2x10, 1x12, 2x12, 1x14, 1x16 and 3x8 (RGB24)
- Medium: 4x8, 3x10, 4x10, 3x12, 4x12, RGB30 and RGB36
- Monochrome and color: RGB, Bayer and TRUESENSE Sparse CFA

Power

- 3.3V DC +/-5%, 500 mA steady
- 1.65W constant power

Environmental

- Operating temperature: -40°C to +85°C
- Relative humidity: 90% non-condensing

MTBF

- >390,000 hours @ 50°C (MIL-STD-785B, MIL-HDBK-217F)

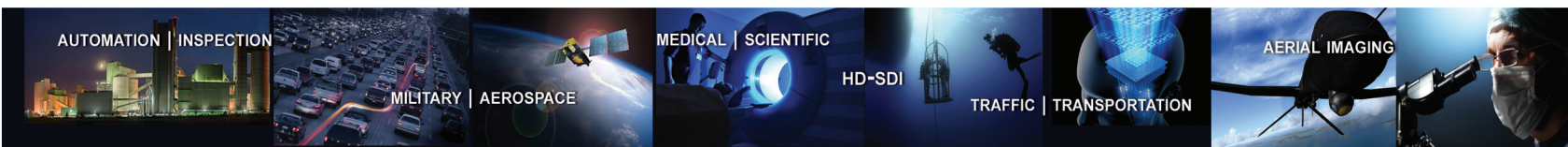
Regulatory

- FCC part 15, Class B, CE, RoHS

Mechanical

- Low profile PCI Express form factor

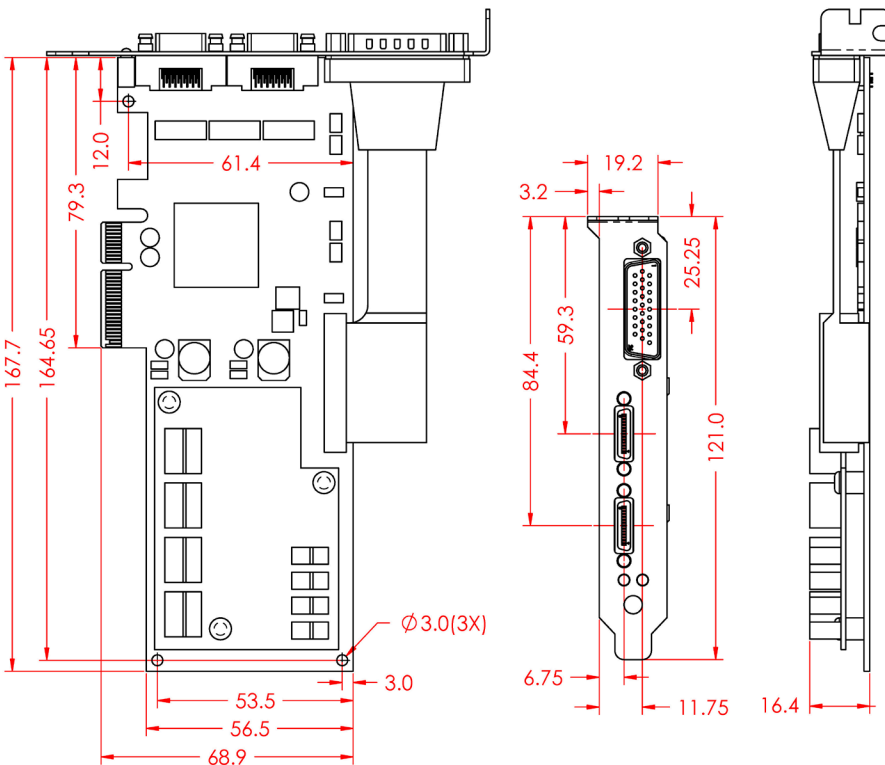
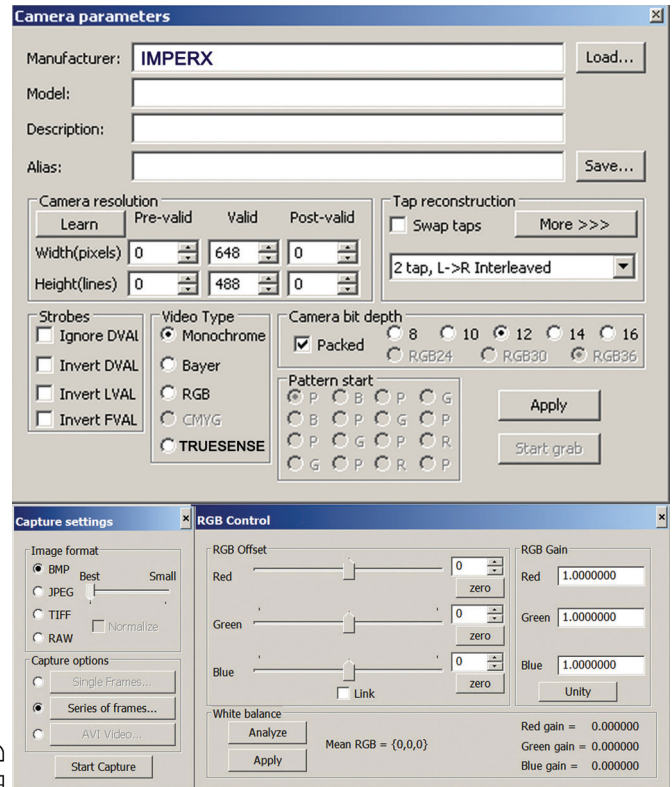
IMPERX Framelink PCIe x4 is a professional level PCI Express video capture card that enables users to view and store in real time mega pixel images from any Camera Link source onto desktop computers. This Framelink PCIe x4 is capable of capturing single or multiple frames and standard AVI clips from any Base or Medium Camera Link compliant video source. Each captured frame can be stamped with a user message along with the date and time of capture. The Framelink VCE-CLPCIe03 comes with easy to use camera configuration software for fast integration of the card into demanding machine vision environments.



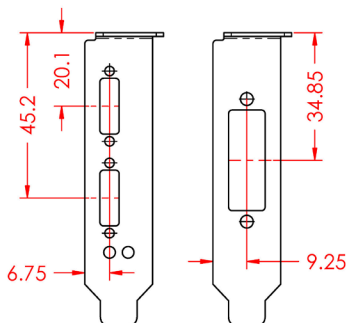


Order: VCE-CLPCIe03

For specific details and ordering information, consult the FrameLink Express user's manual



ALSO SUPPLIED WITH LOW PROFILE BRACKETS



Société SAIS
 102 route de Limours - DOMAINE DE ST PAUL - BAT 14 bureau 12
 78470 ST REMY LES CHEVREUSE
 Tel : 09 54 16 23 53 - Fax : 09 59 16 23 53

contact@sacasa.info - www.sacasa.info

