



Camera Link® ExpressCard/54 for Laptops

VCE-CLEX01

Simultaneous acquisition from two Base Camera Link cameras or one Medium Camera Link camera



IMPERX FrameLink ExpressCard/54 is a professional level ExpressCard video capture card that enables users to view and store in real time mega pixel video images from Camera Link sources onto laptop computers. IMPERX FrameLink ExpressCard/54 is capable of capturing single or multiple frames and standard AVI clips on up to two base or one medium Camera Link compliant video source. Each captured frame can be stamped with a user message along with the date and time of capture. A full software suite that includes drivers, C/C++, SDK, and an application program is provided with each IMPERX FrameLink VCE-CLEX01 card.

Features

- ExpressCard/54 compliant providing 2.5 Gbps of bandwidth
- Intelligent scatter/gather DMA for fast, efficient use of PCIe bandwidth and system memory
- Built in programmable logic controller
- Flow-through pipeline architecture for low latency
- Built in CC pulse generators
- Unique 'auto-learn' feature automatically recognizes camera parameters and simplifies CAM file creation
- Dynamic buffer allocation
- Selectable window sizes
- Adjustable RGB brightness and auto white balance
- Bayer pattern interpolation
- Captures single, multiple frames or AVI clips
- Normal or delay capture
- Date, time and text overlay
- BMP, TIFF or adjustable JPEG file format
- Image viewer with DVR controls
- Many advanced features including look up tables, histograms, RGB gain/offset with auto-white balance, hex pixel dump, etc.

Software

Application program: Full featured, intuitive, easy to use GUI
 Drivers: Win XP/2000/Vista/7/8, DirectX, Halcon, LabVIEW, Matlab
 SDK: C/C++, COM, .NET, ActiveX - all with sample source code

Video Source

Uses two mini-CL (SDR/HDR) connectors
 Base: 24 video data bits plus strobes and clock per channel
 Medium: 48 video data bits plus strobes and clock per channel
 4 camera control bits (CC1 to CC4) per channel
 Bi-directional serial interface per channel

Video Format

Base: 1x8, 2x8, 3x8, 1x10, 2x10, 1x12, 2x12, 1x14, 1x16 and 3x8 (RGB24)
 Medium: 4x8, 3x10, 4x10, 3x12, 4x12, RGB30 and RGB36
 Monochrome and color: RGB, Bayer and TRUESENSE Sparse CFA

Power

3.3V DC +/-5%, 500 mA steady
 1.65W constant power

Environmental

Operating temperature: -40°C to +85°C
 Relative humidity: 90% non-condensing

MTBF

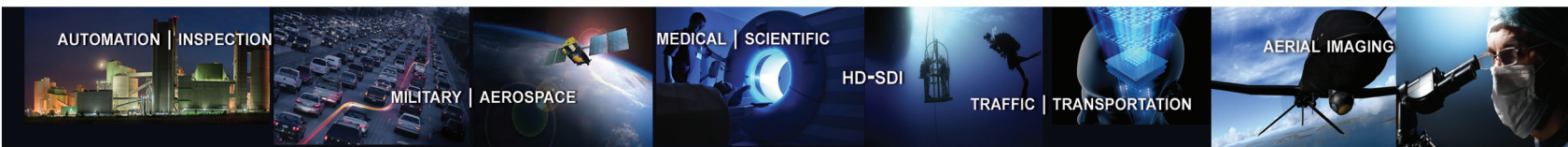
>390,000 hours @ 50°C (MIL-STD 785B, MIL-HDBK-217F)

Regulatory

FCC part 15, Class B, CE, RoHS

Mechanical

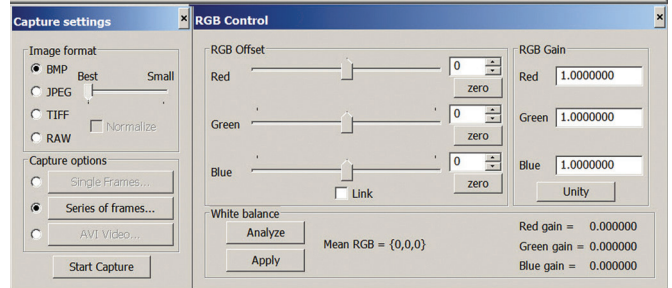
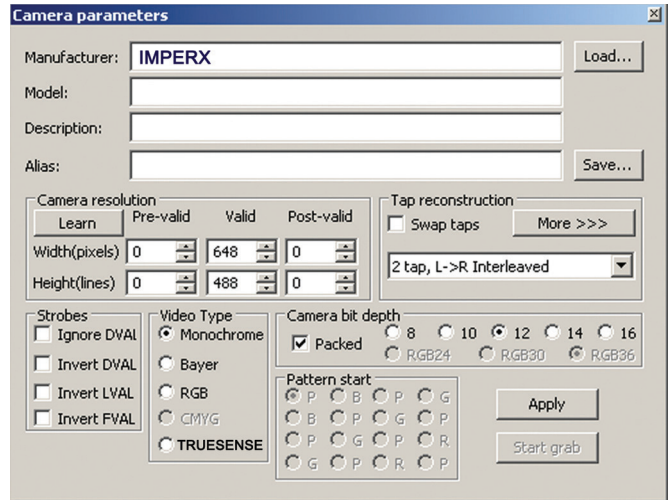
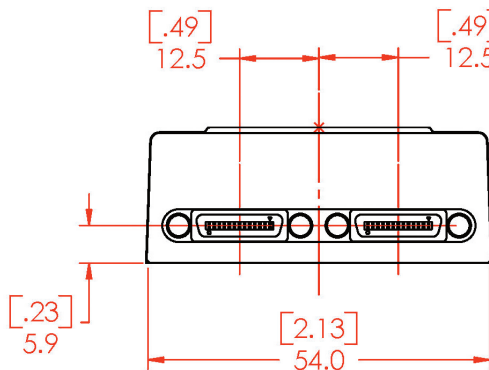
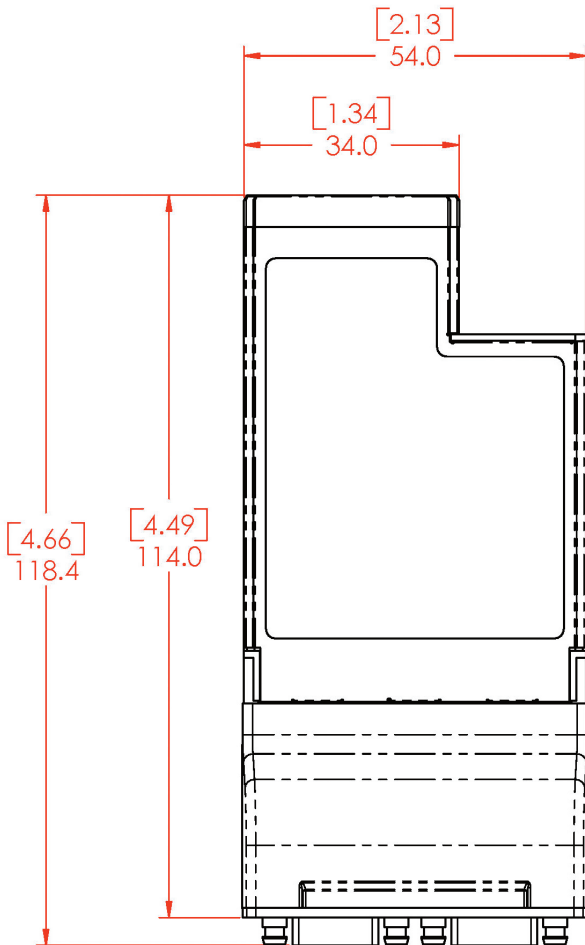
ExpressCard/54 form factor
 Weight 1.91 oz., 50g





Order: VCE-CLEX01

For specific details and ordering information, consult the FrameLink Express user's manual



Société SAIS
 102 route de Timours - DOMAINE DE ST PAUL - BAT 14 bureau 12
 78470 ST REMY LES CHEVREUSE
 Tel : 09 54 16 23 53 - Fax : 09 59 16 23 53

contact@sacasa.info - www.sacasa.info

