



## Analog ExpressCard/54 for Laptops

### VCE-ANEX01

*Video acquisition from a single NTSC, PAL, SECAM or RS170 camera  
Can switch between two S-Video or composite inputs  
Auto NTSC / PAL format detection and automatic gain control are included*



**IMPERX VCE ExpressCard/54** is a state of the art video capture card, that allows users to view and store in real time images from any standard analog video source onto laptop computers. The VCE Express/54 is capable of capturing single or multiple frames, and standard AVI clips from NTSC, PAL, RS170 or SECAM compliant video sources. An external triggering option allows users to qualify image capture based on external events. Each captured frame can be stamped with a user message along with the date and time of capture. A specially designed image viewer provides the flexibility to view, scroll or step through the recorded images. IMPERX VCE Express/54 features a flow-through pipelined architecture with an intelligent scatter/gather DMA engine providing over 235 Mbytes per second of throughput. A full software suite, including drivers, an application program and SDK, is provided with the card.

#### Features

- ExpressCard/54 compliant providing 2.5 Gbps of bandwidth
- NTSC, PAL, RS170 or SECAM real time video acquisition
- 16 bit YCrCb 4:2:2, 4:4:4 or 24 bit RGB formatting
- Intelligent scatter/gather DMA for fast, efficient use of ExpressCard bandwidth and system memory
- Flow-through pipelined architecture for low latency
- External trigger input (TTL)
- On board color space conversion
- Image viewer with DVR controls
- Dynamic buffer allocation
- Selectable window sizes
- Adjustable RGB brightness and auto white balance
- Programmable RGB look up tables and gamma correction
- Captures single, multiple frames or AVI clips
- Normal or delay capture
- Plug-and-play operation with hot insertion/removal
- RAW, BMP, TIFF or adjustable JPEG file format
- Advanced features include histograms, RGB gain/offset with auto-white balance, hex pixel dump, look up tables, gamma correction

#### Software

Application program: Full featured, intuitive, easy to use GUI  
Drivers: Win XP/2000/Vista/7/8, DirectX, Halcon, LabVIEW, Matlab  
SDK: C/C++, COM, .NET, ActiveX - all with sample source code

#### Video Source

2 Composite or S-Video inputs  
NTSC, PAL (B, D, G, H, I, M, N), RS170 and SECAM  
Auto NTSC/PAL format detection  
Automatic Gain Control

#### Power

3.3V DC +/-5%, 500 mA steady  
1.65W constant power

#### Environmental

Operating temperature: 0°C to 65°C  
Relative humidity: 90% non-condensing

#### MTBF

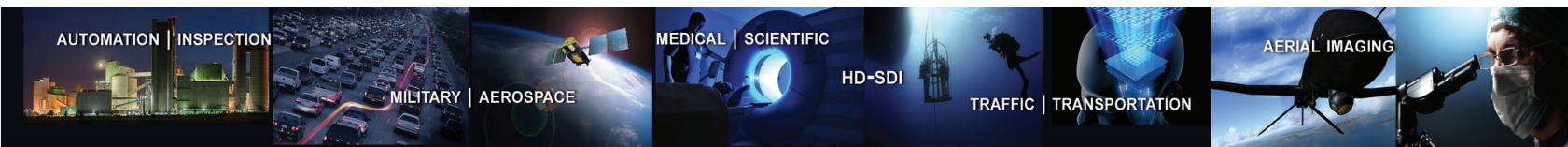
>330,000 hours @ 50°C

#### Regulatory

FCC part 15, Class B, CE, RoHS

#### Mechanical

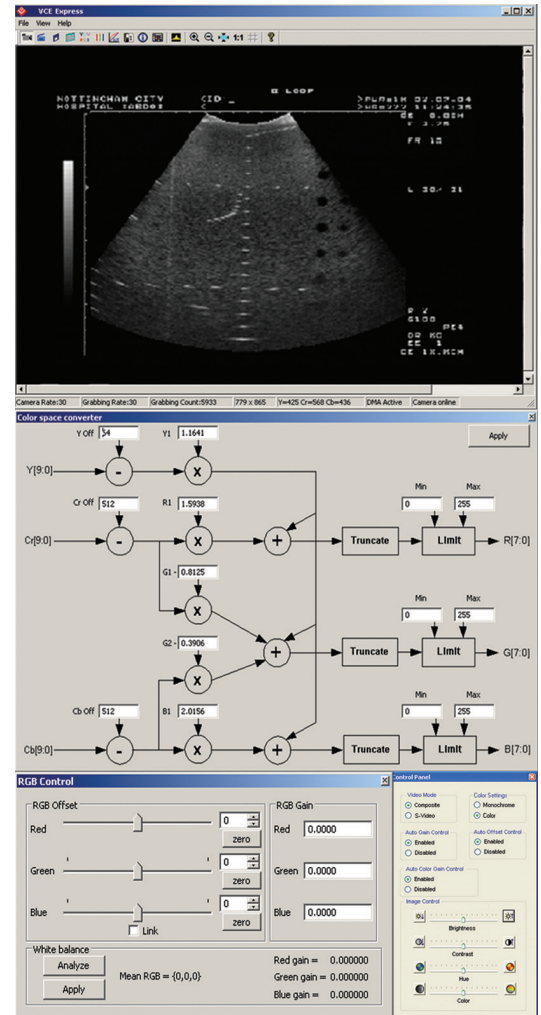
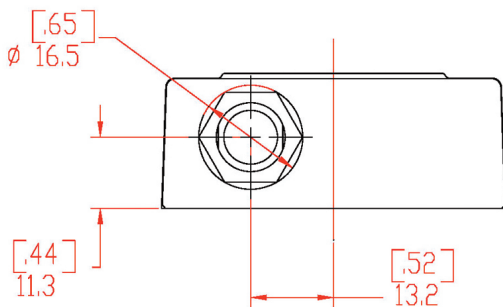
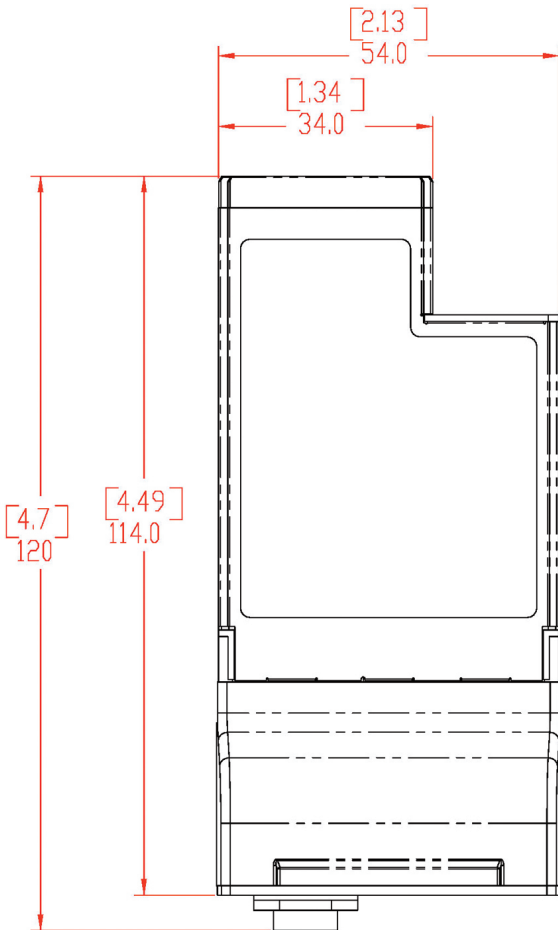
Express Card/54 form factor  
Weight 1.91 oz., 47g





Order: VCE-ANEX01

For specific details and ordering information, consult the VCE Express user's manual



Société SAIS  
102 route de Limours - DOMAINE DE ST PAUL - BAT14 bureau 12  
78470 ST REMY LES CHEVREUSE

Tel : 09 54 16 23 53 - Fax : 09 59 16 23 53

contact@sacasa.info - www.sacasa.info

