

B2041



Technically superior products, full tech support, rapid-response customer care. “Bobcat 2.0” adds many new features, lens control, more memory and enhanced image quality.

INTERFACES AVAILABLE:

Resolution
Sensor
Sensor Format

Pixel Size
Frame Rate Standard Clock
Frame Rate Overclocked
Maximum Frame Rate
Minimum S/N Ratio
Output Format

Analog Gain Control
Black Level Control
Digital Gain and Offset
RGB Gain and Offset
White Balance
Shutter Speed
Exposure Control
Long Integration
Regions of Interest (ROI)
Binning H/V
Trigger Inputs

Trigger Options

Trigger Modes

Double Trigger (PIV) Interframe
External Inputs/Outputs
Strobe Output
RS232 Interface
Pulse Generator
Image Overlay
Image Enhancement

Internal DDR Memory
Gamma Correction
Data Corrections

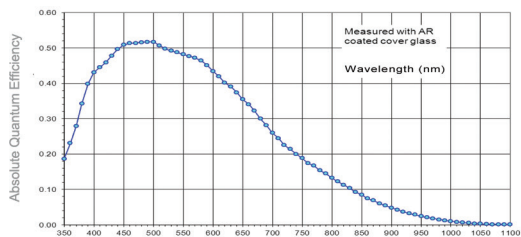
Minimum Illumination
Lens Mount

Iris, Zoom Focus Control
Supply Input Range
Power Consumption
Size – Width/Height
Size – Length
Weight
Vibration, Shock
Environmental
Humidity
MTBF
Regulatory

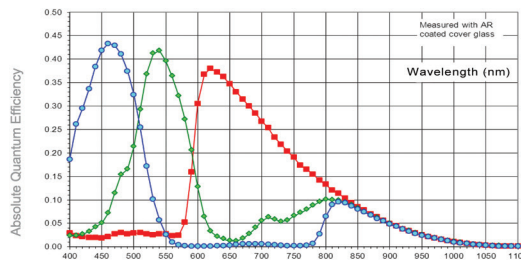
Camera Link® Base or Medium, CoaXPress
2048 x 2048 (std.), 2072 x 2072 (max.)
KAI-04070, CCD
15.2mm (H) x 15.2mm (V) 21.4mm diagonal,
4/3” optical format
7.4 μm
40 MHz / 26 fps
50 MHz / 34 fps
92 fps
60dB
Mono CCD: 8, 10, 12
Color CCD: 8, 10, 12
TRUESENSE Sparse CFA
Manual, Auto: 0 - 36dB 1024 steps
Manual, 1024 steps
Manual
Manual
Manual, auto, off
1us/step, 1/500,000 to 1/32 sec (nom)
Manual, auto, external
Up to 16 seconds
7 ROIs, any line to any line, any pixel to any pixel
1x, 2x, 3x, 4x, 8x (Independent for H & V)
External (TTL via IN1/IN2), pulse generator,
software, computer
Level, edge, pulse width, internal exposure,
up to 16 seconds trigger delay, debounce
Free-run, standard, double, fast, asynchronous,
frame accumulation
Time: 200 nanoseconds
2 IN, 2 OUT, user programmable
2 strobes, programmable position and duration
Yes, programmable
Yes, programmable
Optical center, programmable H & V lines
Threshold, contrast enhancement, knee correction,
horizontal flip, negative image, bit shift (+/- 7 places)
2Gb (256 MB)
G=1.0, G=0.45, user upgradeable LUT
Defective/hot pixel correction (static, dynamic), FFC,
black level, vertical smear
1 Lux, F/ 1.4
F-Mount (Default), C, M42, EOS, Rodenstock,
Custom OEM
Manual, user programmable (motorized lens, custom)
12VDC (10V - 15V), 1.5 A inrush
CLM 5.6 W, CXP TBD
60mm (W) x 60mm (H) – Applies to all interfaces
CLM 53.1mm (L), CXP -TBD
CLM 352g, CXP -TBD
100g (20-200) HZ XYZ, 1000g
-40°C to +85°C Operating, -50°C to +90°C Storage
10% to 90% non-condensing
>660,000 hours @ 40°C (Telcordia SR-332)
FCC 15 part A, CE, RoHS

Monochrome with Microlens

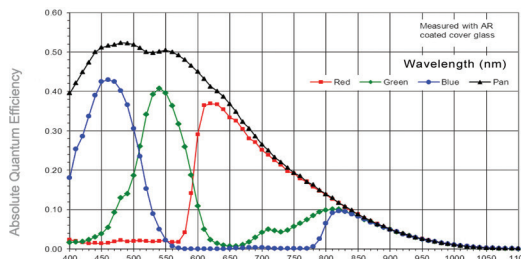
KAI-04070



Color (Bayer RGB) with Microlens



Color (TRUESENSE Sparse CFA) with Microlens



AUTOMATION | INSPECTION

MILITARY | AEROSPACE

MEDICAL | SCIENTIFIC

HD-SDI

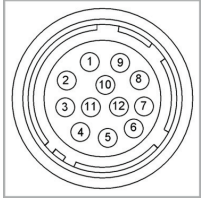
TRAFFIC | TRANSPORTATION

AERIAL IMAGING

BOBCAT 2.0 B2041 Specifications

Hirose Connectors

Power and I/O Interface



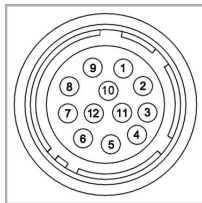
- | | |
|-------------------|-----------------|
| 1 12V DC Return * | 7 OUT1 Signal |
| 2 +12V DC* | 8 IN1 Signal |
| 3 IRIS VCC | 9 IN2 Signal |
| 4 IRIS Video | 10 IN1/2 Return |
| 5 IRIS Return | 11 Reserved |
| 6 OUT1/2 Return | 12 OUT2 Signal |

Connector: Hirose HR 10A- 10R- 12PB(71)

*Not connected for CXP

Lens Control/RS232

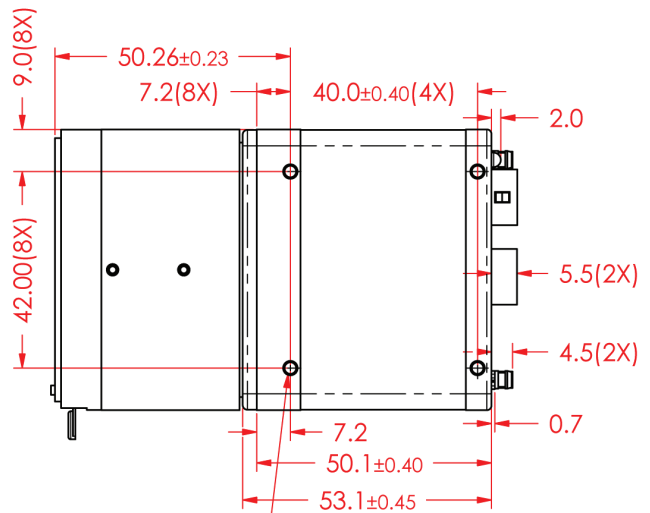
See manual for PIN information



- | | |
|---------------|-------------|
| 1 IRIS Return | 7 FOCUS + |
| 2 IRIS VCC | 8 ZOOM - |
| 3 IRIS Video | 9 ZOOM + |
| 4 IRIS - | 10 UART_COM |
| 5 IRIS + | 11 UART_RX |
| 6 FOCUS - | 12 UART_TX |

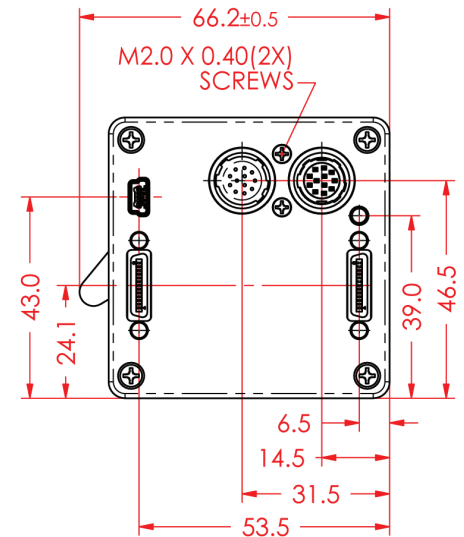
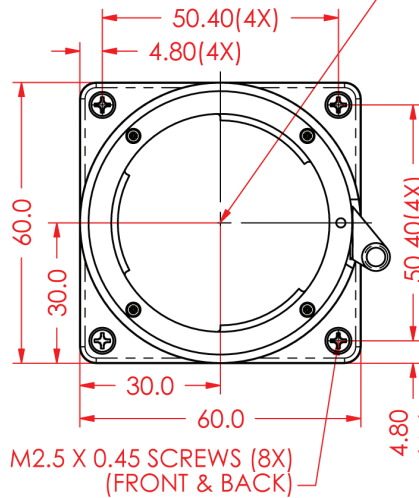
Connector: Hirose HR 10A- 10R- 12SB(71)

* Canon EOS control available

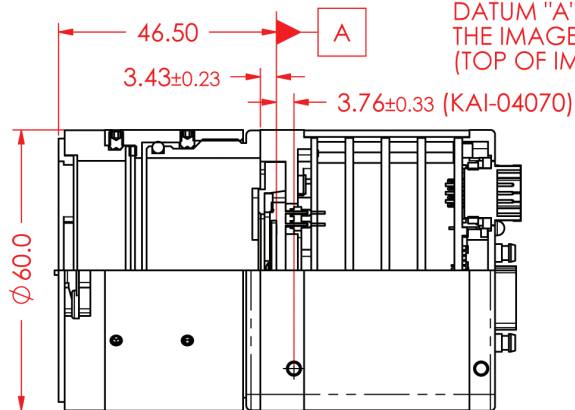


M3.0X0.5 THREAD (16X)
5.0 DEEP (ALL SIDES)

IMAGE CENTER TO LENS CENTER



NOTE:
DATUM "A" REFERS TO THE IMAGE PLANE (TOP OF IMAGING DIE)



B2041 Ordering Information

Interfaces available

- Camera Link® Medium (CLM)
- CoaXPress (CXP)

Sensor types available

- Monochrome
- Bayer Color
- TRUESENSE Sparse CFA

Accessories (Sold separately)

- PS12v04-Power Supply w/ 1 input and 1 output
- PS12v05-Power Supply (as above) and Video Iris



Société SAIS
102 route de Limours - DOMAINE DE ST PAUL - BAT 14 bureau 12
78470 ST REMY LES CHEVREUSE

Tel : 09 54 16 23 53 - Fax : 09 59 16 23 53

contact@sacasa.info - www.sacasa.info