



HD-SDI ExpressCard/54 Video Capture Card



HD-SDI ExpressCard/54 (VCE-HDEX03)

Acquisition from an SD or HD-SDI video source.

Advanced features: Look up tables, histograms, RGB gain/offset with auto-white balance...

IMPERX HD-SDI ExpressCard/54 is a professional level ExpressCard video capture card that enables users to view and store in real time mega pixel video images from any standard HD-SDI video source onto laptop computers. IMPERX HD-SDI ExpressCard/54 is capable of capturing single or multiple frames and standard AVI clips from any SD or HD-SDI compliant video source. Each captured frame can be stamped with a user message along with the date and time of capture. A full software suite that includes drivers, C/C++, SDK, and an application program is provided with each IMPERX HD-SDI ExpressCard/54 VCE-HDEX03 card.

- Supports SD and HD-SDI formats for 720p, 1080i and 1080p video
- Supports SMPTE 292M serial interface and SMPTE 274M/296M framing
- Supports two audio channels
- Saves 20 bit YCrCb 4:2:2 or 24-bit data
- ExpressCard/34 compliant providing 2.5 Gbps of bandwidth
- Intelligent scatter/gather DMA for fast, efficient use of ExpressCard bandwidth and system memory
- Flow-through pipelined architecture for low latency
- Many advanced features including look up tables, histograms, RGB gain/offset with auto-white balance, hex pixel dump, gamma correction, etc.
- On board color space conversion
- Plug-and-Play operation with hot insertion/removal

APPLICATIONS

Aerial Mapping
Aerial Robots: Military, Police
Aerospace
Agriculture

Automation
Automotive
Biometrics
Broadcasting
Printed Circuit Board (PCB)

Electronics
Energy/Solar/Wind Power
Homeland Security
Law Enforcement
Intelligent Traffic Systems (ITS)

Medical Devices
Metrology
Microscopy
Military/Defense
Pharmaceuticals

Particle Image Velocimetry (PIV)
Robotics
Scientific Imaging
Surveillance
Semiconductors



HD-SDI ExpressCard/54 VCE-HDEX03 Specifications

Features SD or HD-SDI real time video acquisition
 Audio acquisition of two 24 bit channels @ 48KHz
 ExpressCard/54 compliant
 PCI Express x1 lane providing 2.5 Gbps of bandwidth
 Intelligent scatter/gather DMA
 Flow-through pipelined architecture
 Dynamic buffer allocation
 Selectable window sizes
 Adjustable RGB brightness and auto white balance
 Programmable RGB lookup tables and gamma correction
 Captures single, multiple frames or AVI clips
 Normal or delay capture
 Date, time and text overlay
 RAW, BMP, TIFF or adjustable JPEG file format
 16/20 bit YCrCb 4:2:2 or 24-bit RGB formatting
 Image viewer with DVR controls

Software Application program: Full featured, intuitive, easy to use GUI
 Drivers: Win XP/2000/Vista/7, DirectX, Matlab, Halcon
 SDK:C/C++, COM, .NET, ActiveX—all with sample source code

Video Source 75 ohm BNC coaxial connector
 Analog SMPTE 292M serial interface operating at 1.485 Gbps
 SMPTE 274M and SMPTE 296M framing

Power 3.3V DC +/-5%, 500 mA steady
 1.65W constant power

Environmental Operating temperature: 0°C to 65°C
 Relative humidity: 90% non-condensing

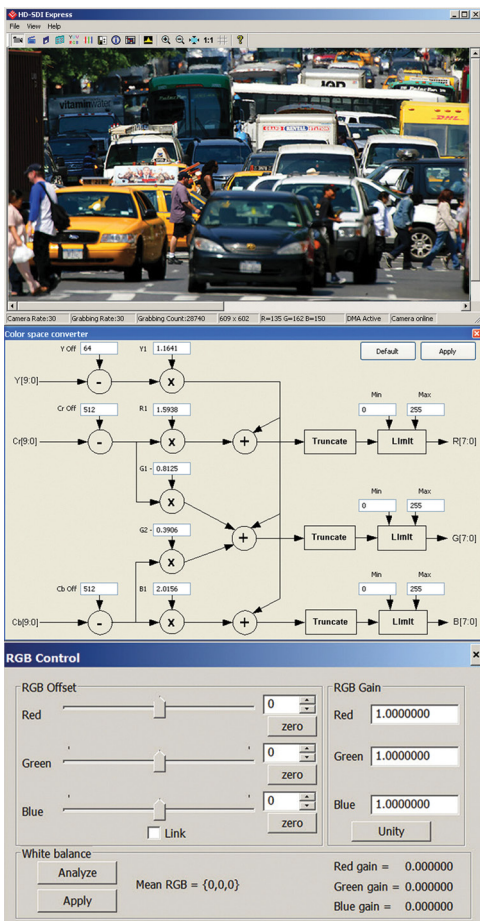
Regulatory FCC 15 part B, CE, RoHS

Mechanical Express Card/54 form factor
 Weight 1.91 oz., 61g

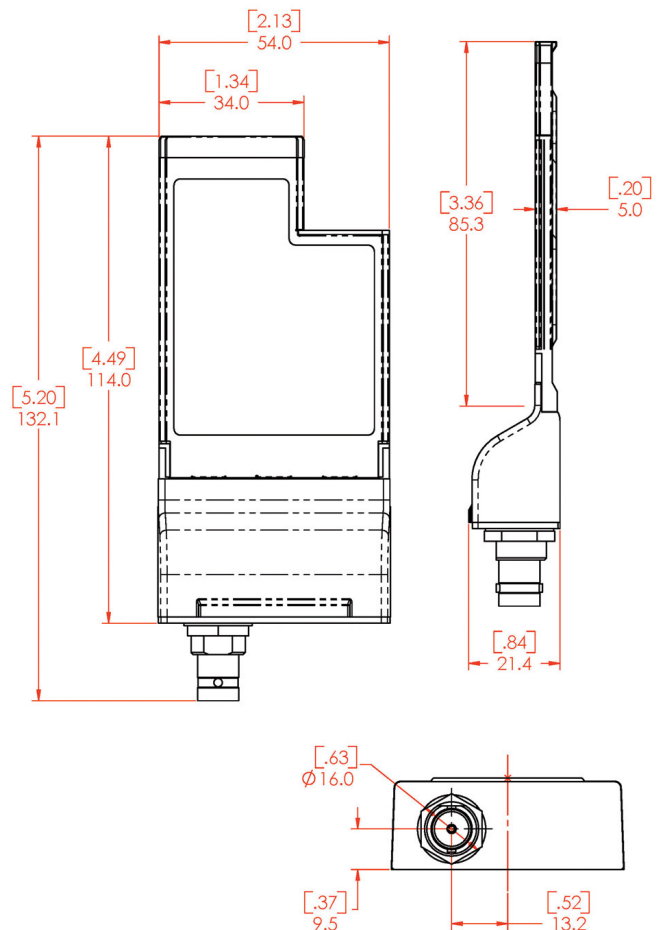
Order: VCE-HDEX03

For specific details and ordering information, consult the HD-SDI Express user's manual

Software



Mechanical Dimensions



Société SAIS
 2 rue Henri Janin
 78470 ST REMY LES CHEVREUSE
 Tel : 09 54 16 23 53 - Fax : 09 59 16 23 53
 contact@sacasa.info - www.sacasa.info

