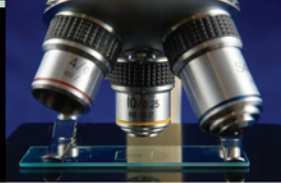
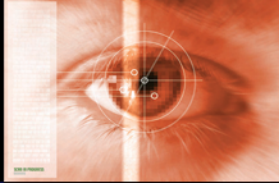




BOBCAT

INTELLIGENT CAMERA SERIES

ICL-B0620



The **ICL-B0620** is an advanced high-speed progressive scan, fully programmable CCD camera designed for imaging applications that require high frame rates, high quality images, and powerful features and flexibility. The camera has a small size, light weight, and is built around Kodak's KAI-0340D Interline transfer CCD image sensor with a 1/3" optical format. ICL-B0620 is available with CameraLink output (PoCL compliant).

The B0620 provides an image resolution of 648 x 488 and delivers up to 260 frames per second at full resolution. The camera image processing engine is based on a high-speed, high-density FPGA, featuring programmable resolution, speed, 8 independent AOIs, binning, triggering, exposure control, line and frame time, I/O mapping, external/internal sync, AGC, AEC, Auto Iris, transfer function correction, user LUT, and Defective and Hot Pixel Correction (DPC, HPC).

Features

- 648/640 x 488/480
- Mono and color - 8/10/12/14-bit data
- Normal and over-clock operation (208/260 fps)
- Base CameraLink, PoCL support
- RS232 serial communication
- Analog and digital gain and offset control
- 1x, 2x, 3x, 4x, 8x horizontal and vertical binning
- Eight (8) independent horizontal and vertical AOIs
- Programmable horizontal and vertical resolution
- Programmable line time, frame time and speed
- Programmable external trigger:
 - 3 triggering sources
 - 5 triggering modes
- Automatic gain, exposure and iris control

- Internal/External exposure control
- Internal/External H and V sync input/output
- Left/right digital bit shift
- Test image with image superimposition
- Built in pulse generator
- Programmable I/O mapping
 - 4 programmable inputs
 - 3 programmable outputs
- Dynamic transfer function correction
- Dynamic black level correction
- Defective and hot pixel correction
- Temperature monitor
- Field upgradeable firmware, LUT, DPC, HPC

Applications

- Industrial
- Medical
- Microscopy
- Military
- Scientific
- Surveillance

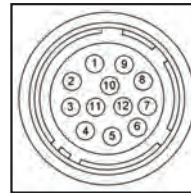
SACASA INDUSTRIES ET SYSTEMES
2 rue Henri Janin – 78470 ST REMY LES CHEVREUSE
Tel : 01 30 47 45 86 – Fax : 01 30 47 93 37
info@sais.fr – www.sais.fr

Specifications for Bobcat ICL-B0620

| | |
|--------------------------|---|
| Maximum Resolution | 648 x 488 |
| Sensor Type | 1/3" CCD KAI-0340D |
| Pixel Size | 7.40 μ m |
| Frame Rate | 208/260 fps (normal/overclock) |
| Max Frame Rate | 2000 fps |
| Minimum S/N ratio | 60 db |
| Video output | Base Camera Link, mini CL interface |
| Output format | 8, 10, 12 bit dual, 8, 10, 12, 14 bit single |
| Binning H & V | x1, x2, x3, x4, x8 |
| Area of Interest | 8 independent AOIs, 2 x 2 to 648 x 488 |
| Shutter Speed | 1/500000 to 1/110 sec |
| Long integration | Up to 16 sec |
| Gamma correction | G=1.0, G= 0.45, user upgradable LUT |
| Video gain | 36 dB range, 1024 steps, 0.0351 dB per step |
| Exposure and AGC | Manual, Auto, Programmable |
| Iris Control | Auto, Programmable |
| Hardware trigger | LVTTTL or TTL via IN1/IN2, optically isolated, level, edge, pulse-width, programmable |
| Software trigger | Frame-grabber via CC1/CC2, level, edge, pulse-width, programmable |
| Trigger modes | Programmable, standard, double exposure, fast, frame accumulation, asynchronous |
| Strobe output | Programmable position and duration |
| Image Overlay | Yes, Programmable |
| RS232 Interface | Yes |
| Data Corrections | DPC, HPC, LUT |
| Min. illumination | 1 Lux, F/1.4 |
| Power input range | 12 VDC, (10 V – 15 V) |
| Power consumption | 2.4 W PoCL |
| Size (W x H x L), Weight | 45 x 45 x 39mm, 160g |
| Lens Mount | C mount |
| Vibration, Shock | 10G (20 - 200)Hz XYZ, 70G |
| Environmental | Operation (-30° to 60°) C, storage (-40° to 70°) C |
| Humidity | 10% to 90% non-condensing |

Power and I/O Interface

Connector: Hirose HR 10A-10R-12PB(71)



- | | |
|------------------------|------------------------|
| 1 12V DC Return | 7 OUT1 Signal |
| 2 +12V DC | 8 IN1 Signal |
| 3 IRIS VCC | 9 IN2 Signal |
| 4 IRIS Video | 10 IN1/2 Return |
| 5 IRIS Return | 11 Reserved |
| 6 OUT1/2 Return | 12 OUT2 Signal |

Power Requirements

12V DC, (10V min, 15V max)
200 mA steady, 1.5 A inrush
2.4W, PoCL

Accessories

PS12V04: Power Supply (sold separately)

Ordering Information

Ordering: **ICL-B0620M-KCO**

Camera Family

B-Bobcat Family

Sensor Type

M-Monochrome

C-Color

Lens Mount

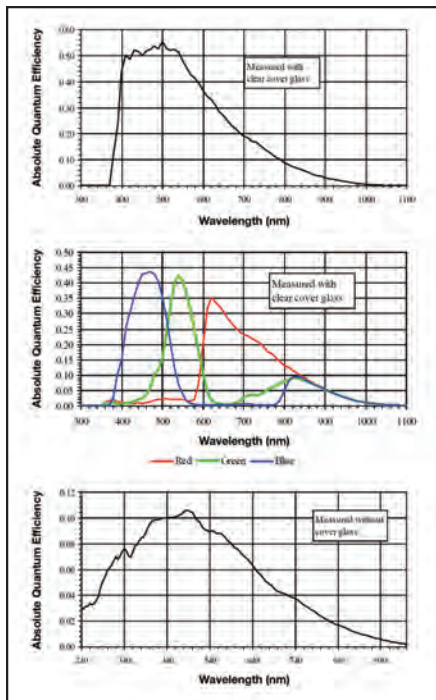
C-"C" mount (default)

F-"F" Mount

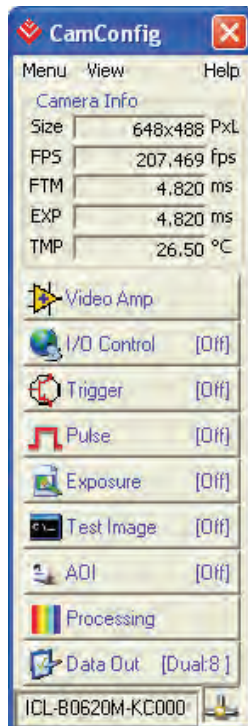
CCD

K-Kodak

Spectral Response

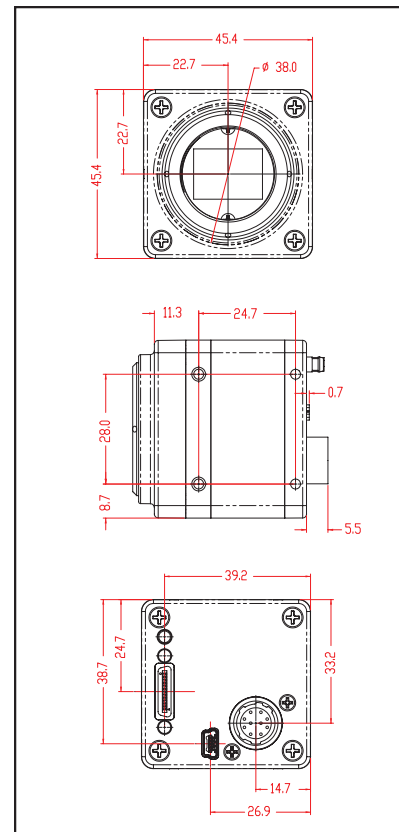


Configuration Utility



Made in USA

Mechanical Dimensions



For specific details and ordering information, consult the camera user's manual or contact us at sales@imperx.com.